

[54] LINE REEL

[76] Inventor: Arthur B. Erickson, 610 - 32 Rd., Clifton, Colo. 81520

[\*\*] Term: 14 Years

[21] Appl. No.: 26,553

[22] Filed: Mar. 17, 1987

[52] U.S. Cl. .... D22/137; D8/359

[58] Field of Search ..... 43/20, 22; 242/84.2 J, 242/85.1, 118.4; D22/137, 140, 141; D8/358, 359

[56] References Cited

U.S. PATENT DOCUMENTS

- D. 243,746 3/1977 Youngblood ..... D8/359
- 3,302,320 2/1967 Breeden ..... 43/22 X

OTHER PUBLICATIONS

Netcraft Fishing Tackle Catalog No. 67B, ©1967, p. 122, Snap-On-Reel at top of page.

Primary Examiner—A. Hugo Word  
Assistant Examiner—Doris V. Coles  
Attorney, Agent, or Firm—Donald W. Erickson

[57] CLAIM

The ornamental design for a line reel, as shown.

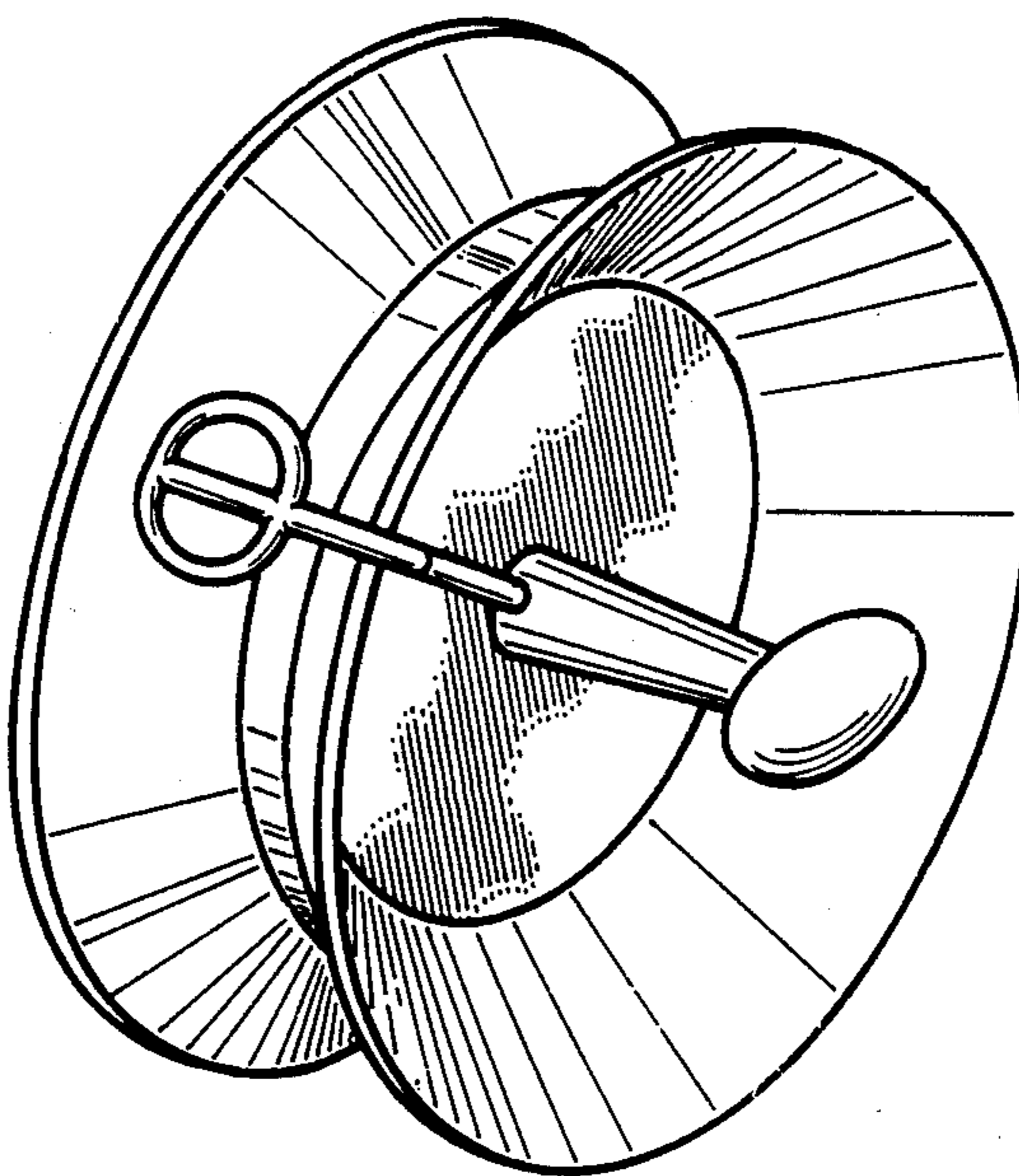
DESCRIPTION

FIG. 1 is a side elevational view of a line reel showing my new design;

FIG. 2 is an elevational view of the side opposite of that shown in FIG. 1 thereof;

FIG. 3 is an end elevational view thereof; and

FIG. 4 is a perspective view thereof.



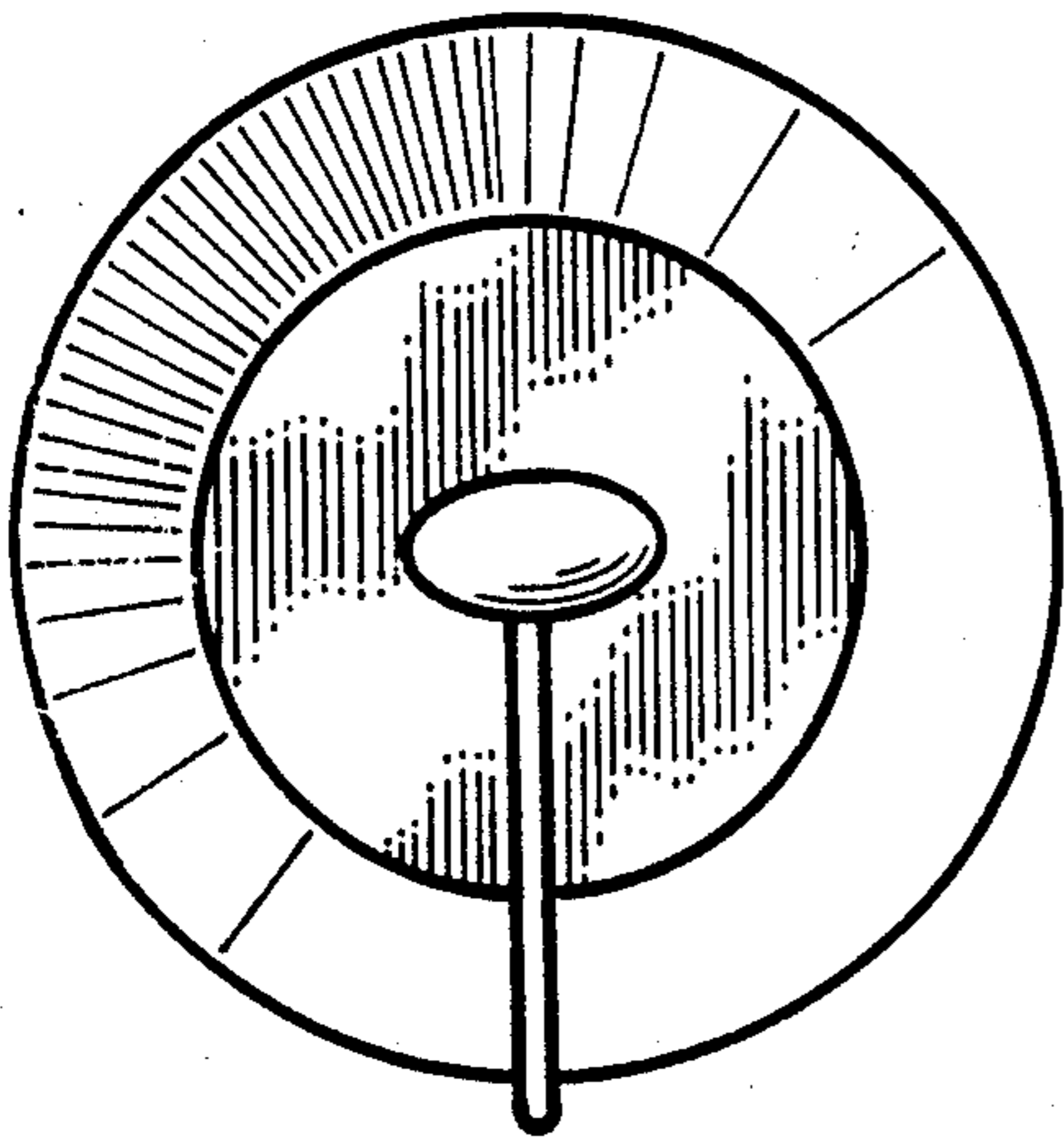


FIG. 1

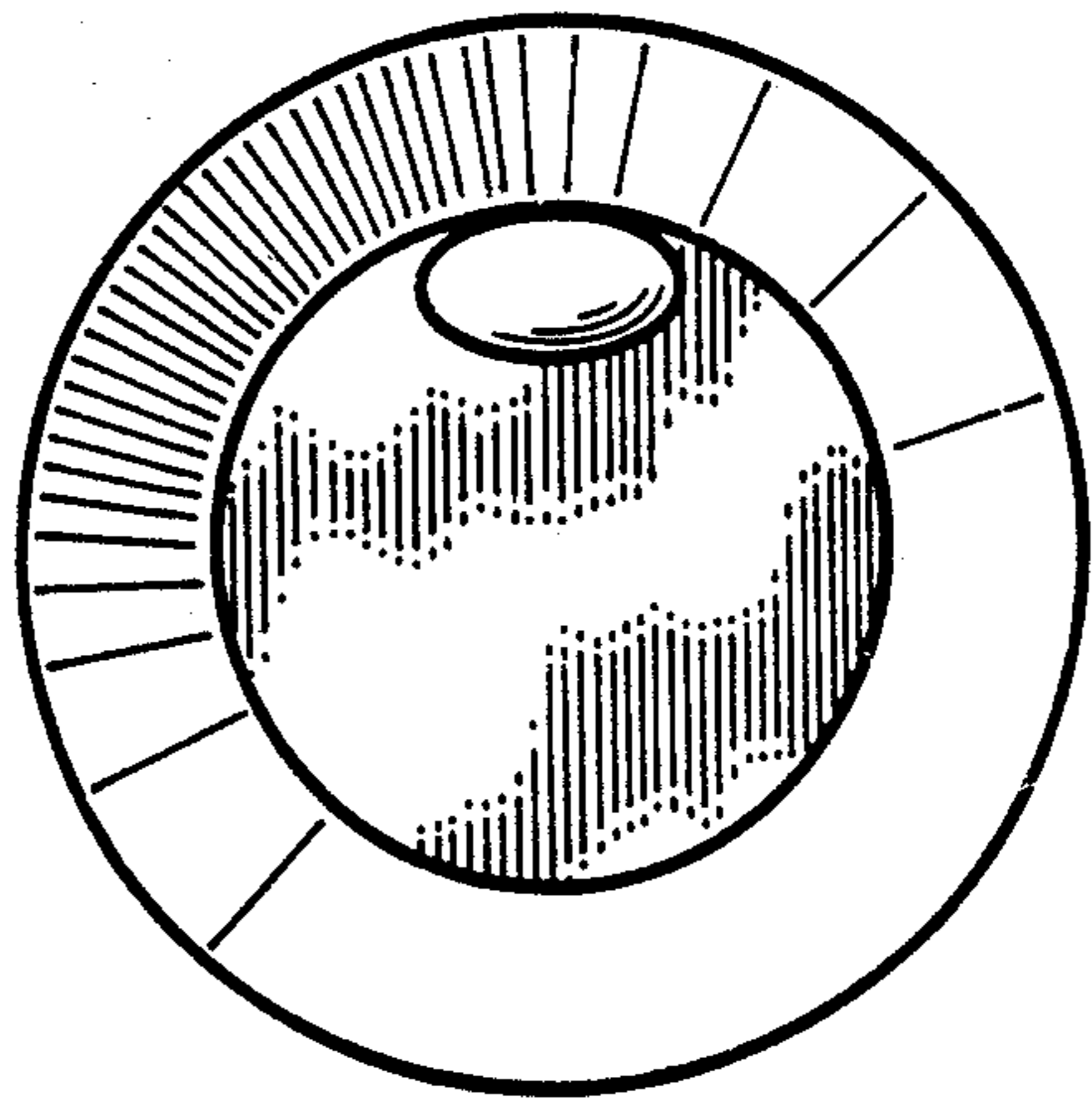


FIG. 2

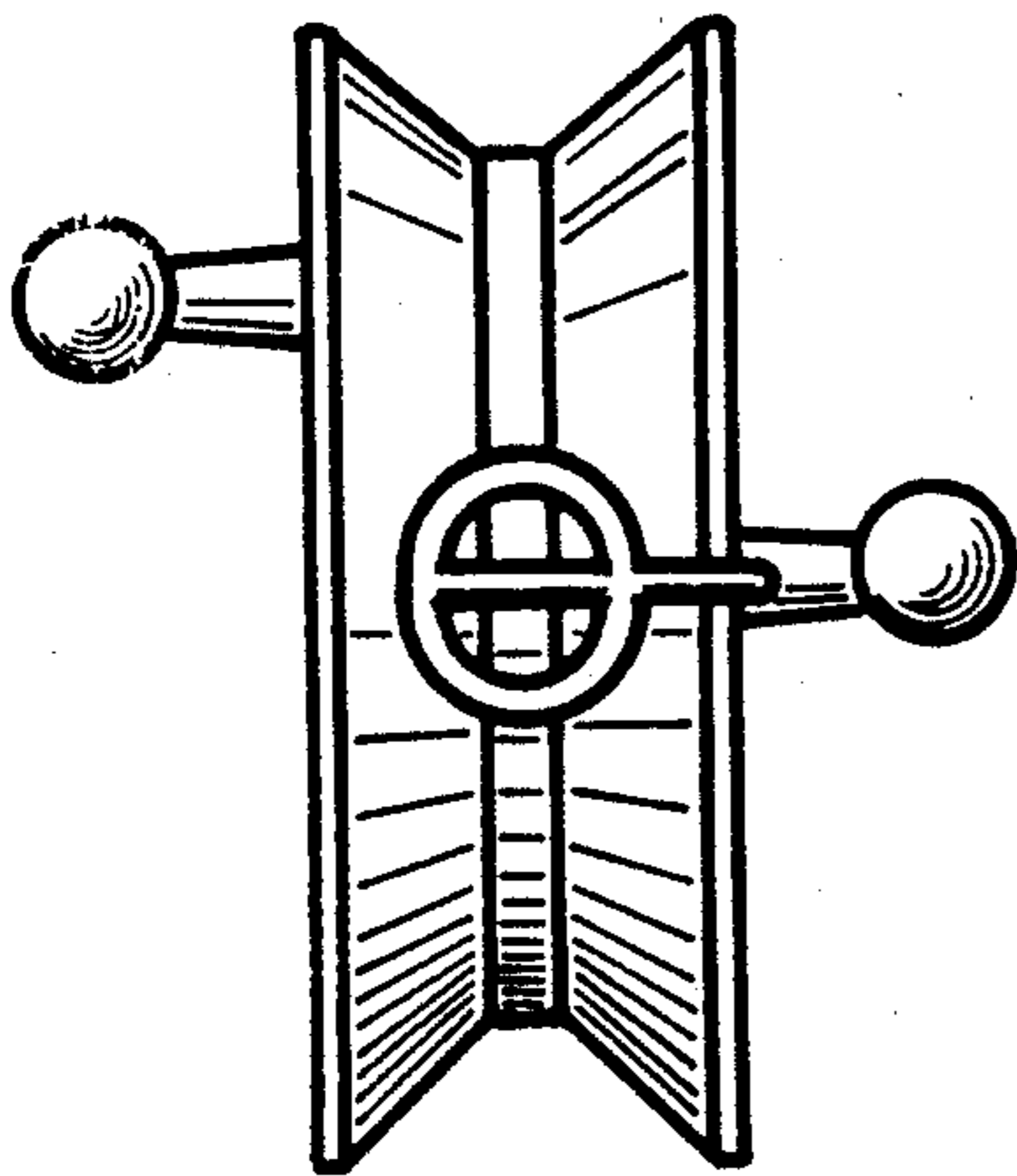


FIG. 3

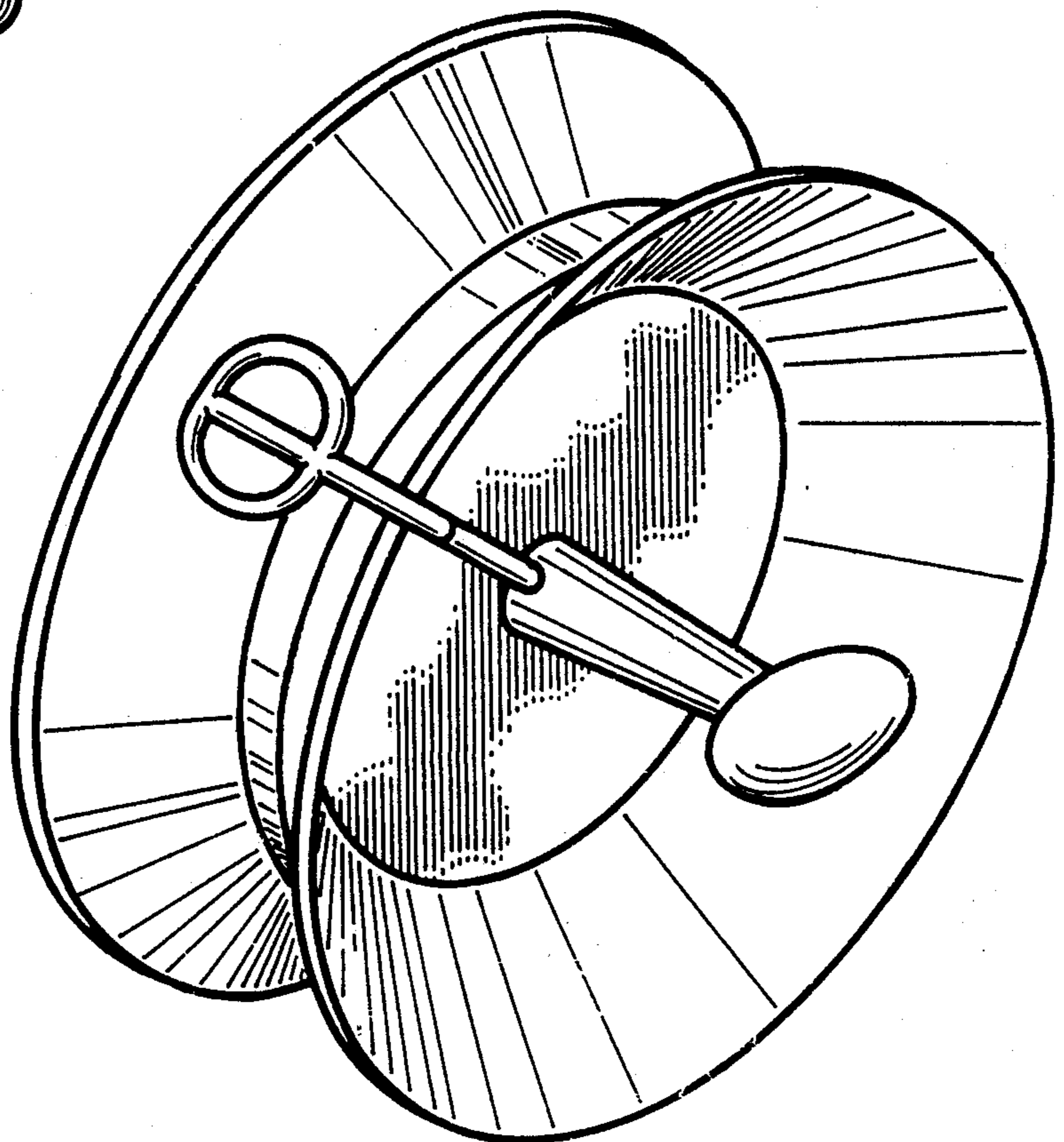


FIG. 4