

[54] **PLAYGROUND SLIDE**  
 [75] **Inventor: Jean Schappet, Waldorf, Md.**  
 [73] **Assignee: Woodset, Inc., White Plains, Md.**  
 [\*\*] **Term: 14 Years**  
 [21] **Appl. No.: 24,255**  
 [22] **Filed: Mar. 10, 1987**  
 [52] **U.S. Cl. .... D21/244**  
 [58] **Field of Search ..... D21/243, 244; 272/56.5, 272/109, 113**

1,339,502 5/1920 Doughty ..... 272/56.5 R  
 1,357,465 11/1920 Mayer ..... 272/56.5 R  
 1,789,885 1/1931 Skinner ..... D21/242  
 2,129,909 9/1938 Burke ..... 272/56.5 R

*Primary Examiner*—Charles A. Rademaker  
*Assistant Examiner*—Alicia A. Farrell  
*Attorney, Agent, or Firm*—Neil F. Markva

[57] **CLAIM**

The ornamental design for a playground slide, as shown and described.

**DESCRIPTION**

FIG. 1 is a front elevational view of a playground slide showing my new design;  
 FIG. 2 is a rear elevational view thereof;  
 FIG. 3 is a right side elevational view thereof;  
 FIG. 4 is a left side elevational view thereof;  
 FIG. 5 is a top plan view thereof; and  
 FIG. 6 is a bottom plan view thereof.

[56] **References Cited**  
**U.S. PATENT DOCUMENTS**  
 D. 83,716 3/1931 Berman ..... D21/244  
 D. 186,175 9/1959 Ahrens ..... D21/244  
 D. 226,935 5/1973 Wormser et al. .... D21/244  
 790,613 5/1905 Boyle ..... D21/244  
 909,480 1/1909 Tothill ..... D21/244

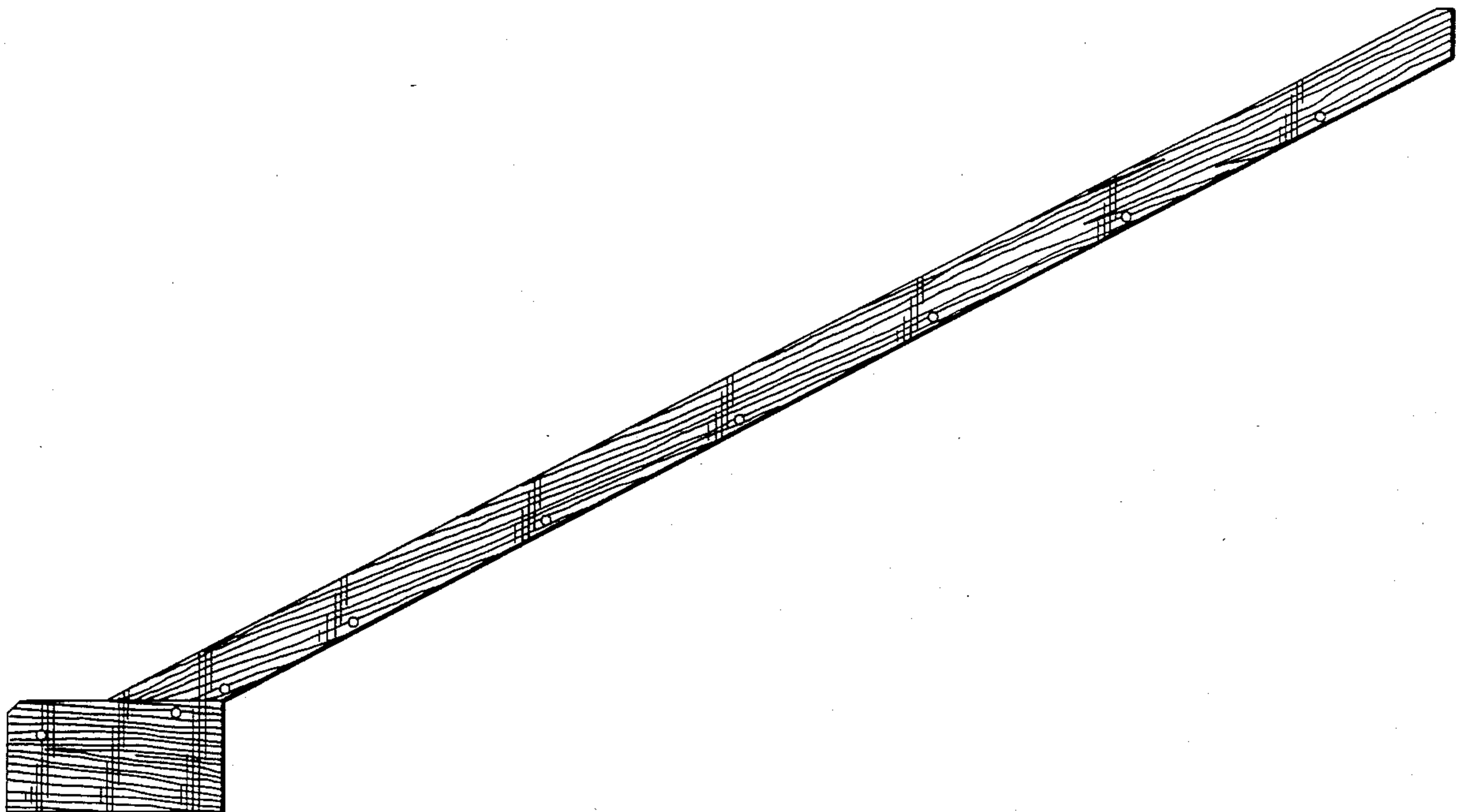


FIG. 1

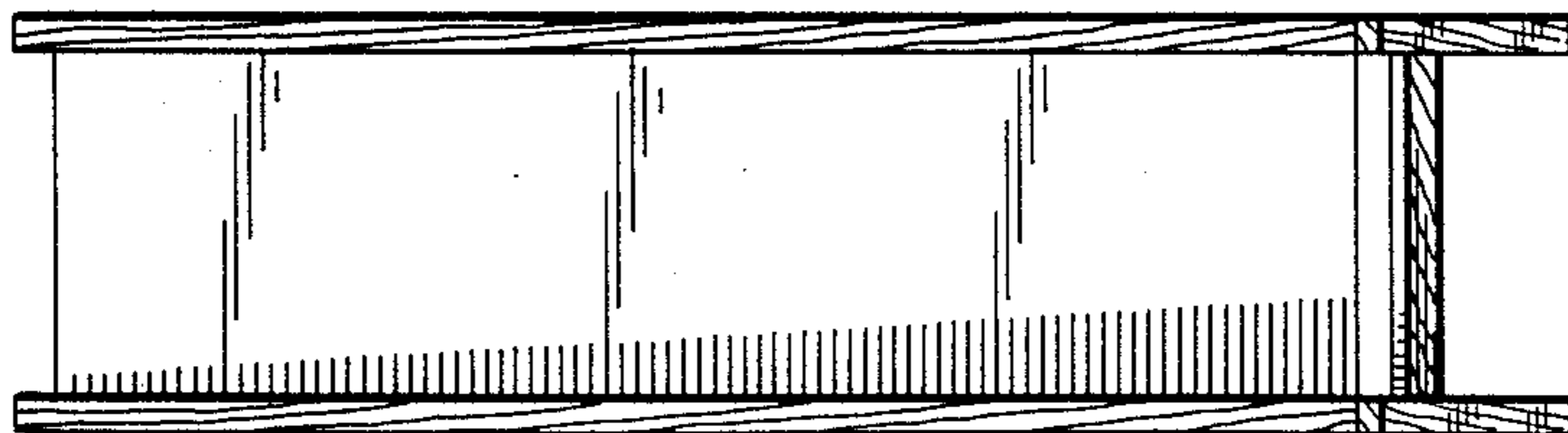


FIG. 2

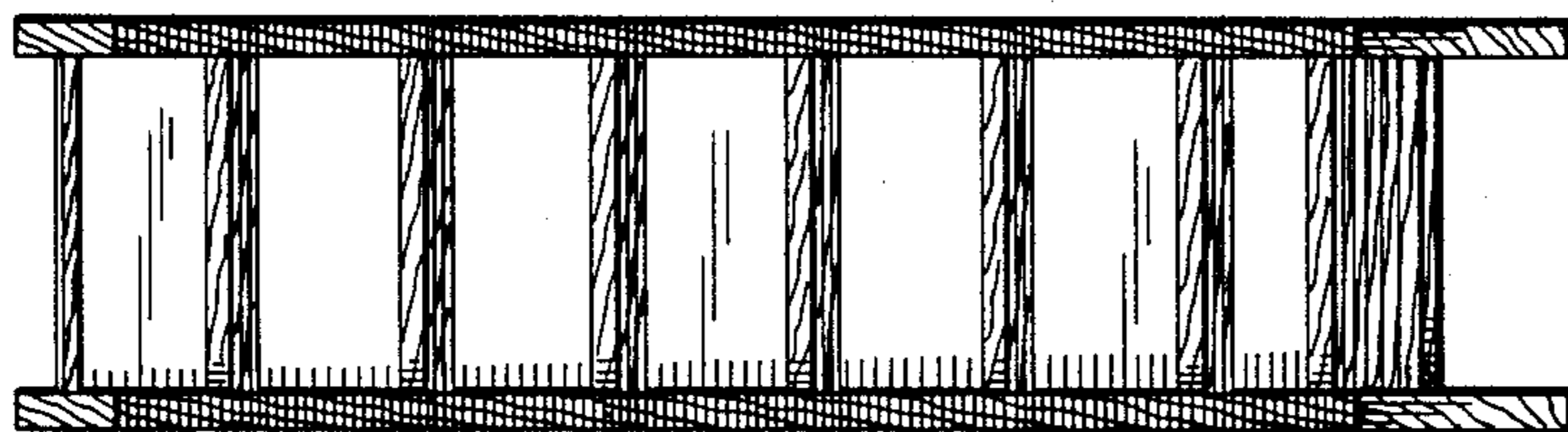


FIG. 3

