

[54] BALLMARK REPAIR TOOL

[76] Inventor: Don Sherry, 157-05 14th Ave., Beechhurst, N.Y. 11357

[**] Term: 14 Years

[21] Appl. No.: 28,297

[22] Filed: Mar. 20, 1987

[52] U.S. Cl. D21/234

[58] Field of Search 273/32 B; D21/234; D8/1, 13; D23/217

[56] References Cited

U.S. PATENT DOCUMENTS

D. 209,973	1/1968	Klitzner	D34/5
D. 225,756	1/1973	Stephens et al.	D21/234
D. 230,409	2/1974	Schaffer	D21/2
D. 239,304	3/1976	Jackson	D21/2
D. 247,056	1/1978	McClaskie	D34/5
471,221	3/1892	Moore	294/25
1,551,815	9/1925	Ferguson	30/113.14
2,082,982	6/1937	Schumacher	146/31
3,120,388	2/1964	Doble	273/32

3,182,401	5/1965	Stevens	33/46
3,185,483	5/1965	Klynman	273/162
3,763,515	10/1973	Voss	273/32 B
4,007,928	2/1977	Doubt	273/32
4,063,731	12/1977	Kitay	273/32 B
4,535,987	8/1985	Dikoff	273/32 B
4,545,579	10/1985	McCain	273/162 R

OTHER PUBLICATIONS

Official Gazette of PTO, vol. 867, Oct. 1969, Design Pat. Ser. No. 215,668, Jon Hedu.

Primary Examiner—Bernard Ansher

Assistant Examiner—David Jeo

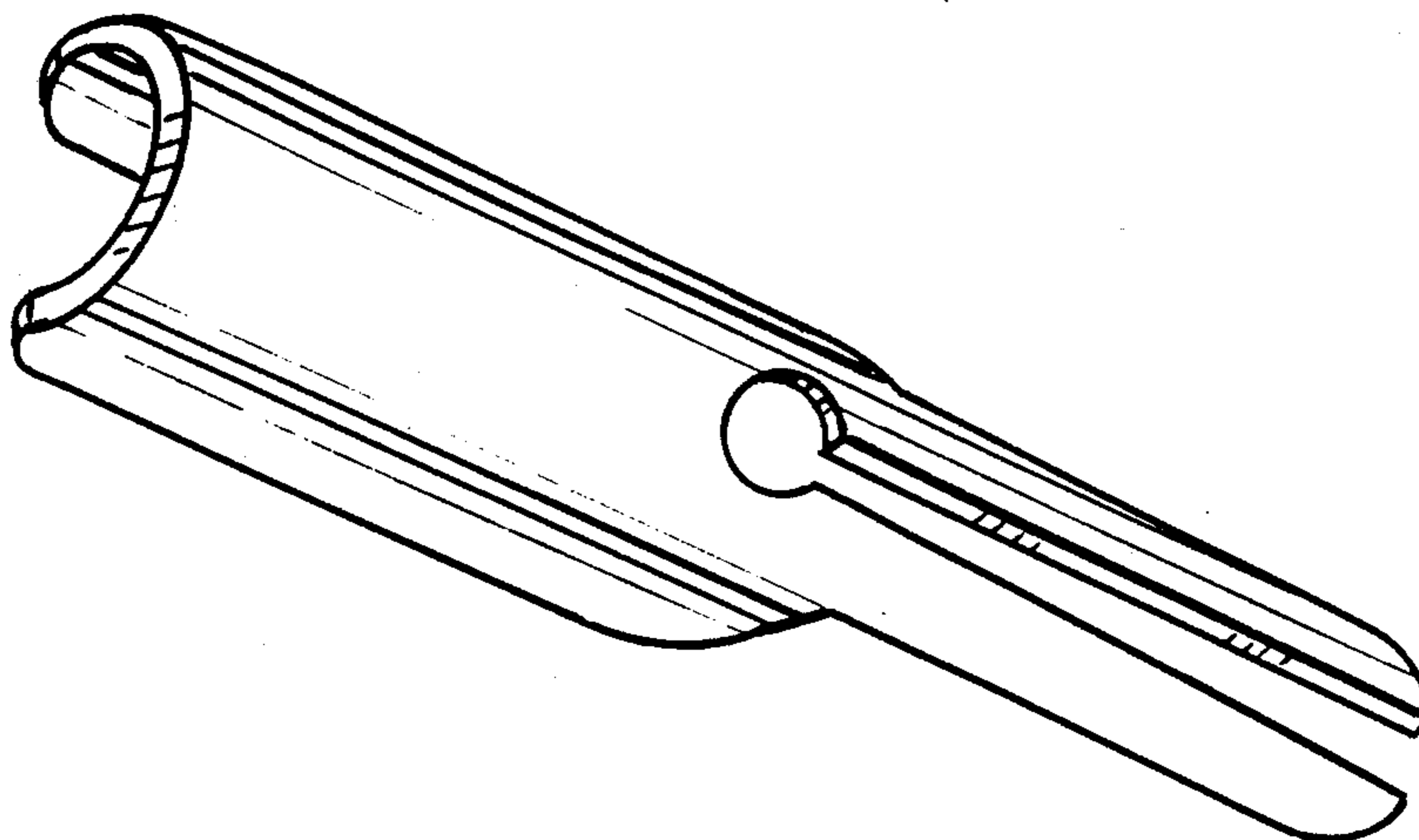
Attorney, Agent, or Firm—Kenyon & Kenyon

[57] CLAIM

The ornamental design for the ballmark repair tool, as shown.

DESCRIPTION

FIG. 1 is a left front perspective view of a ballmark repair tool, showing my new design. FIG. 2 is a right rear perspective view thereof; and FIG. 3 is a rear perspective view thereof.



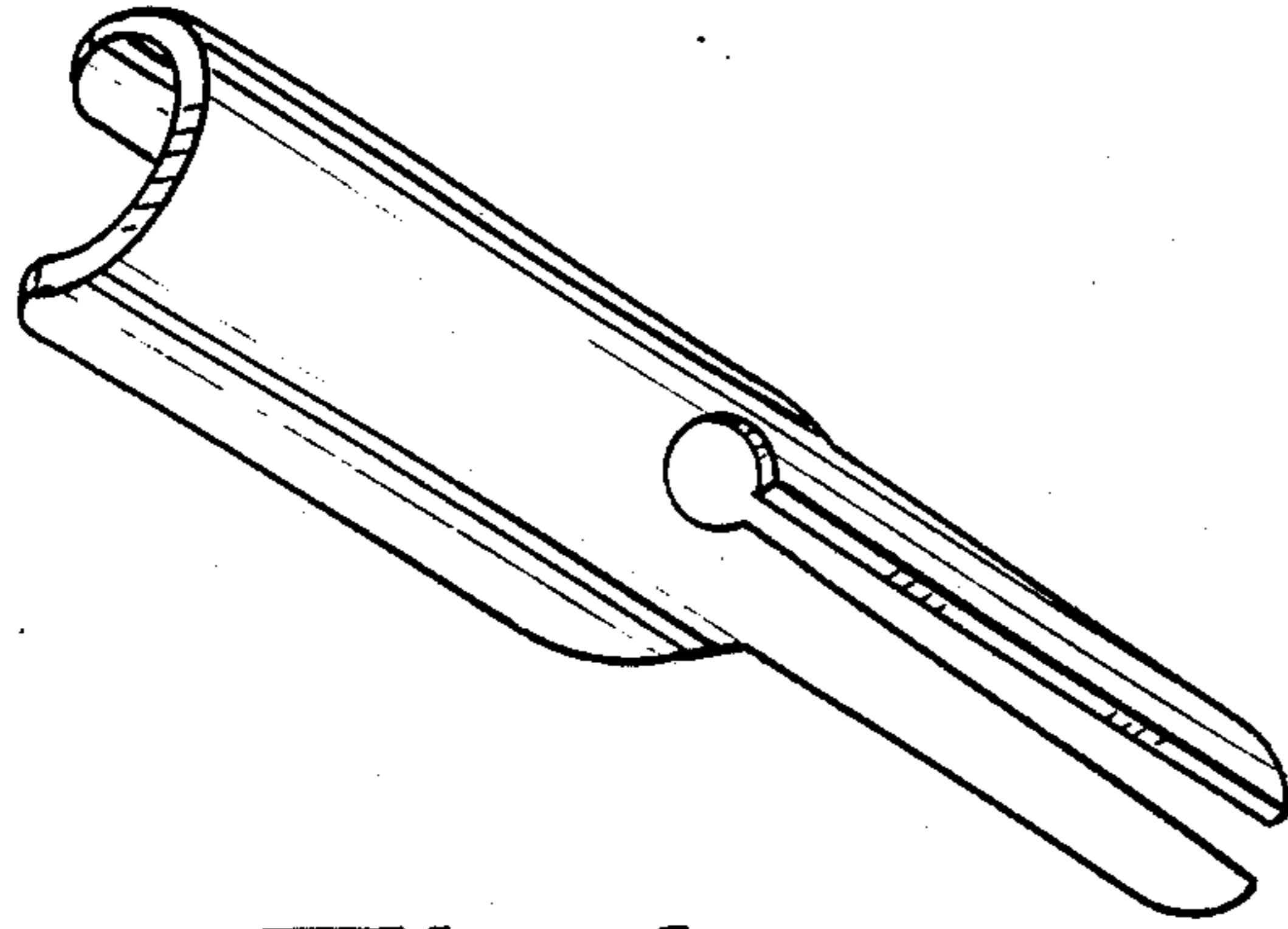


Fig. 1.

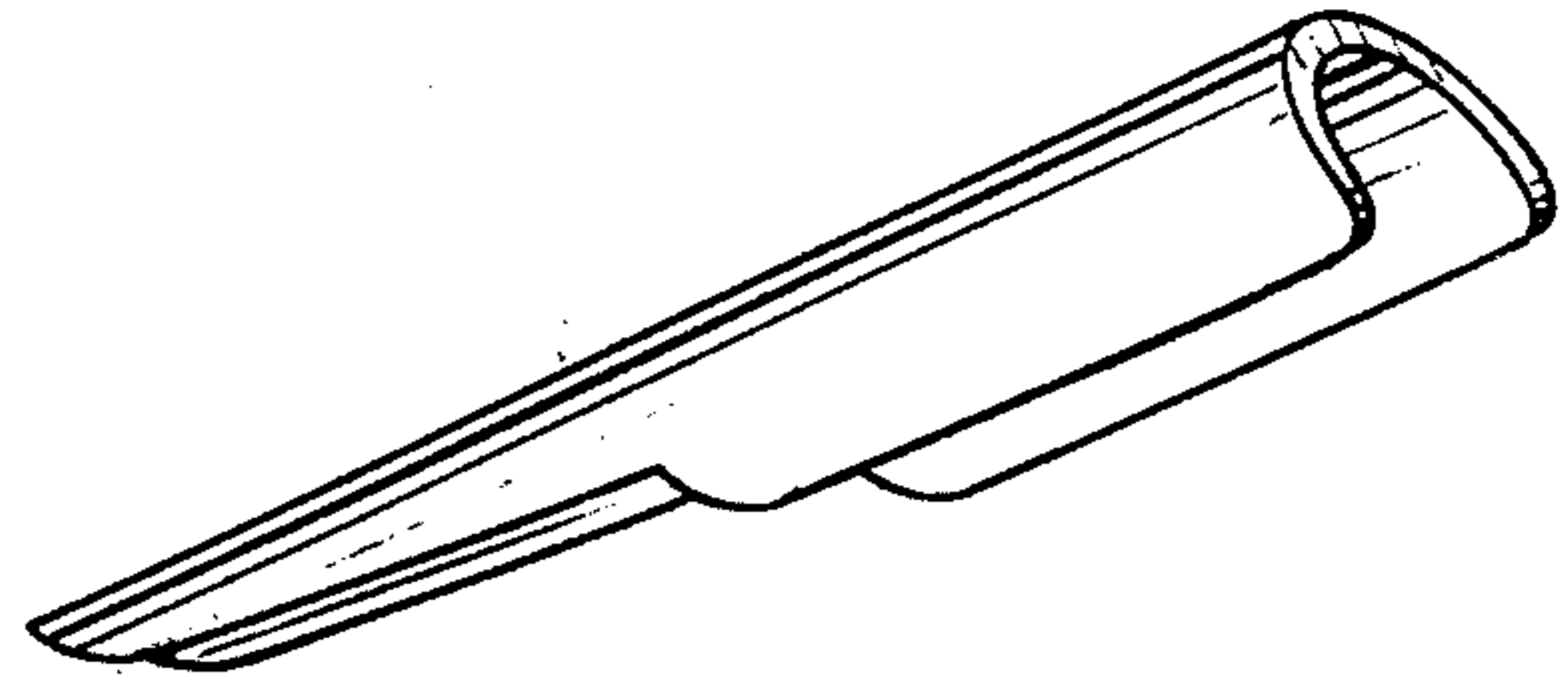


Fig. 2.

Fig. 3.

