

[54] CONSTRUCTION TOY LIGHT ELEMENT

[75] Inventor: Kaj Mikkelsen, Billund, Denmark

[73] Assignee: INTERLEGO A.G., Switzerland

[\*\*] Term: 14 Years

[21] Appl. No.: 278,147

[22] Filed: Nov. 29, 1988

[52] U.S. Cl. .... D21/108

[58] Field of Search ..... D21/59, 104, 107, 108,  
D21/109, 114, 115; 446/65, 69, 70, 85, 102, 104,  
105, 108, 109, 110, 112, 114, 115, 116, 117, 122,  
127

3,414,986 12/1968 Stassen ..... D21/108

4,249,336 2/1981 Moe et al. .... 446/124

4,270,303 6/1981 Xanthopoulos et al. .... 446/110

*Primary Examiner*—Charles A. Rademaker  
*Assistant Examiner*—Alicia A. Farrell  
*Attorney, Agent, or Firm*—Kane, Dalsimer, Sullivan,  
 Kurucz, Levy, Eisele and Richard

[57] CLAIM

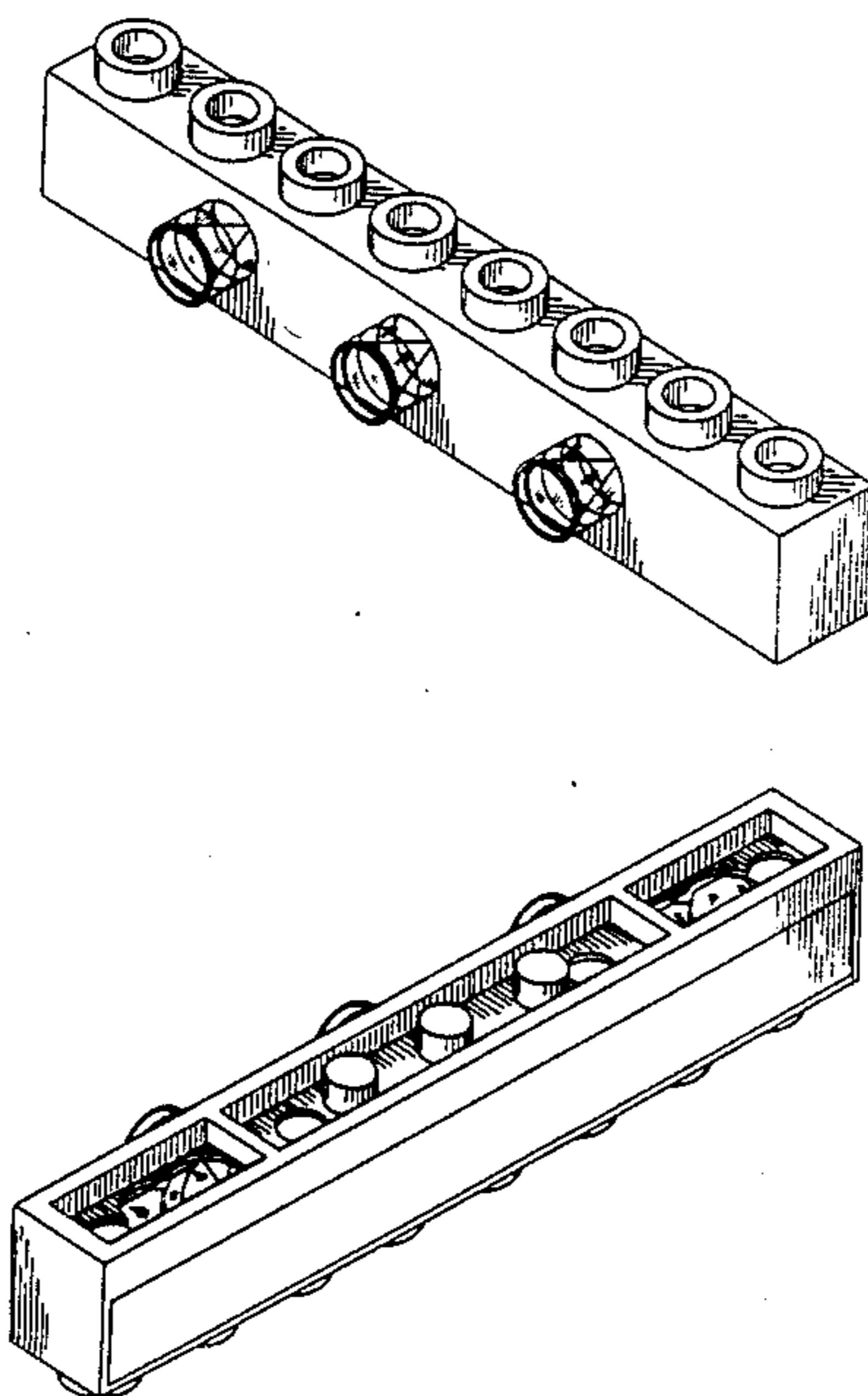
The ornamental design for a construction toy light element, as shown and described.

DESCRIPTION

FIG. 1 is a top perspective view of a construction top light element showing my new design;  
 FIG. 2 is a bottom perspective view thereof;  
 FIG. 3 is a front elevational view thereof;  
 FIG. 4 is a rear elevational view thereof;  
 FIG. 5 is a top plan view thereof;  
 FIG. 6 is a bottom plan view thereof; and  
 FIG. 7 is a side elevational view thereof, the opposite side being identical.

[56] **References Cited**  
 U.S. PATENT DOCUMENTS

D. 241,261	8/1976	Pibet .....	D21/108
D. 244,307	5/1977	Maddestra et al. ....	D21/108
D. 246,927	1/1978	Christiansen .....	D21/108
D. 284,393	6/1986	Kassai .....	D21/108
D. 290,627	6/1987	Dideriksen .....	D21/108



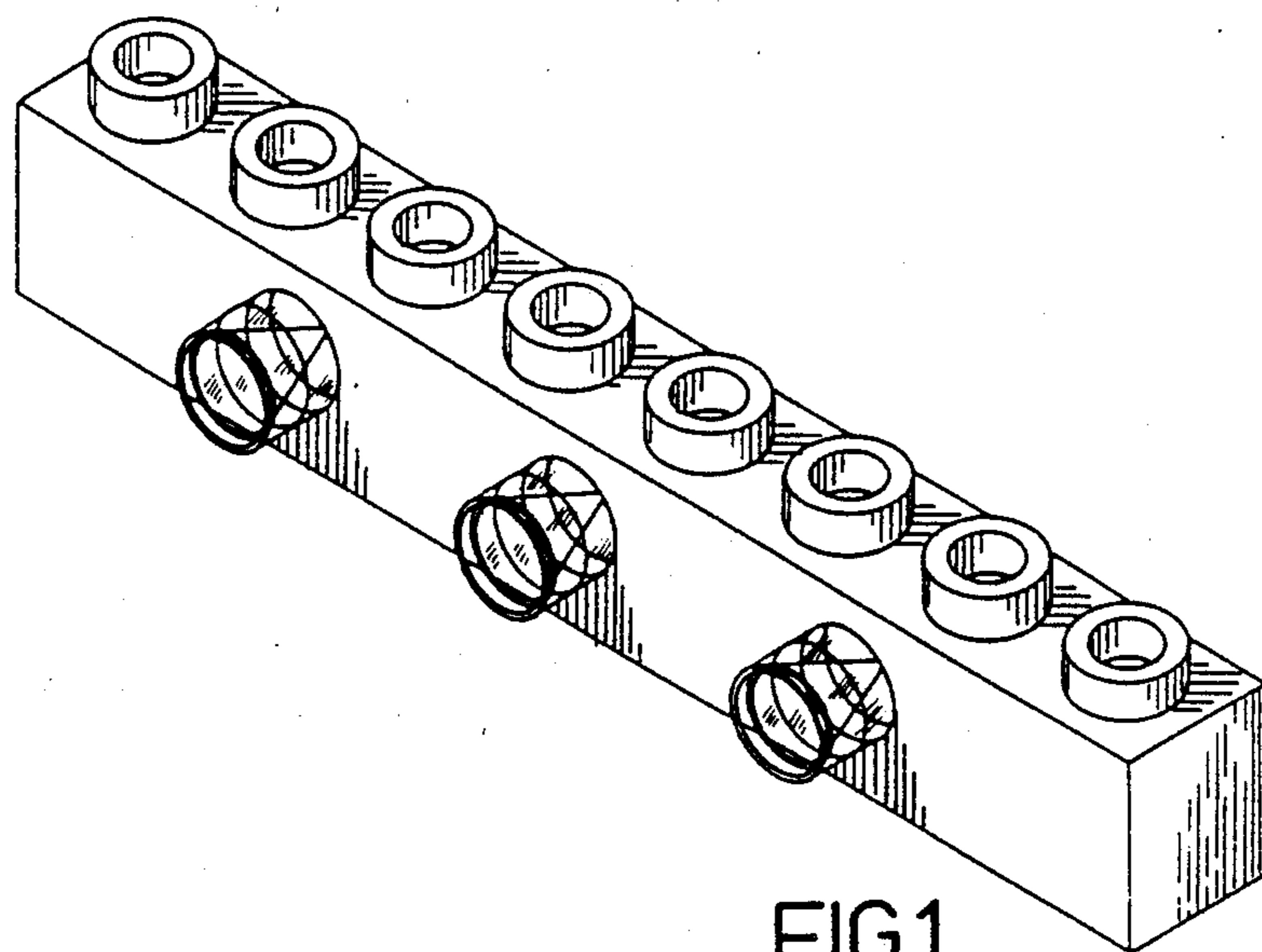


FIG. 1

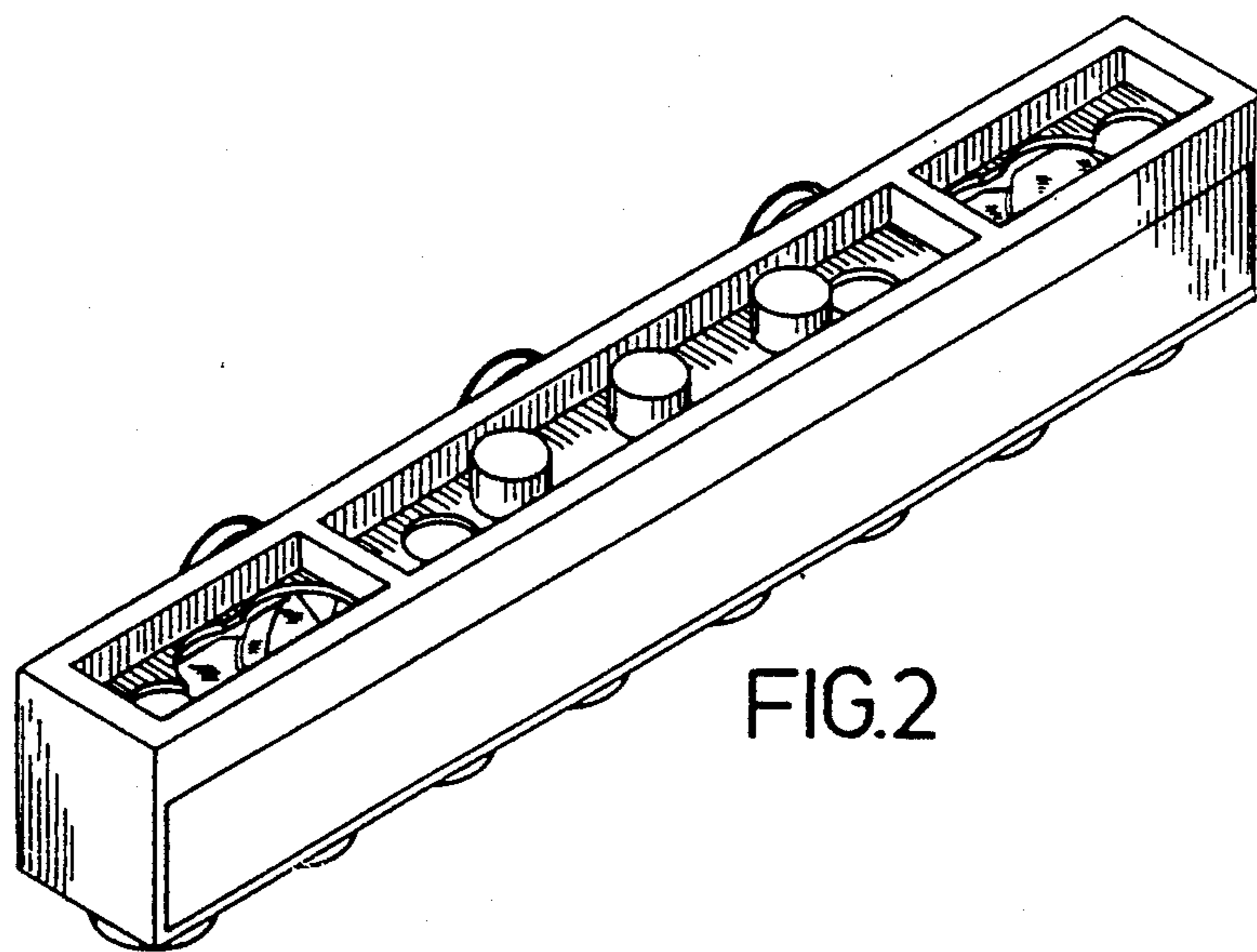


FIG. 2

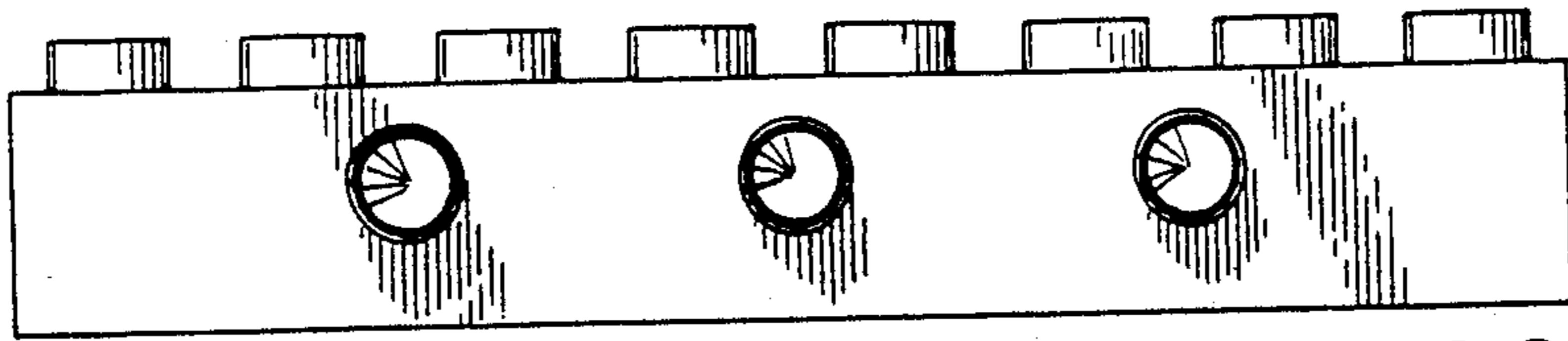


FIG.3

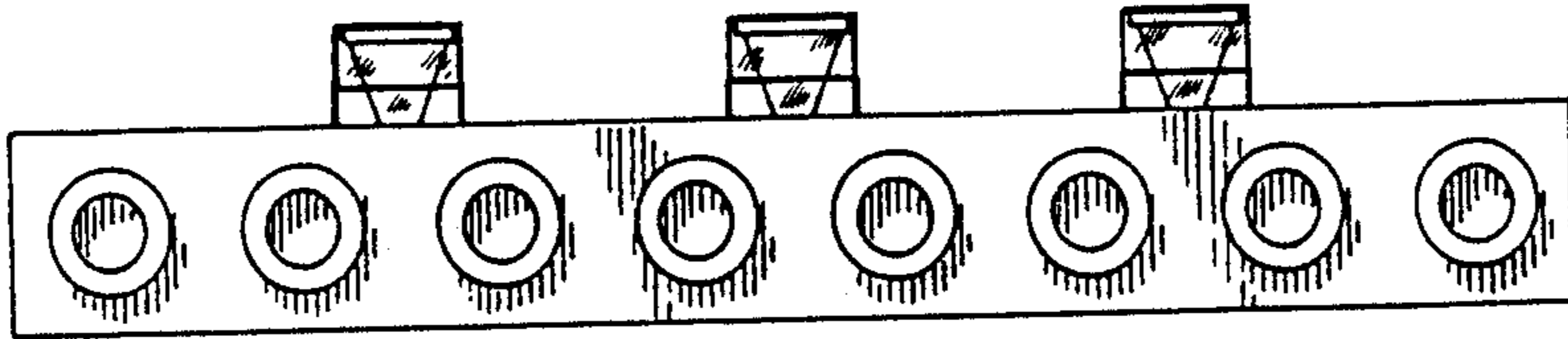


FIG.5

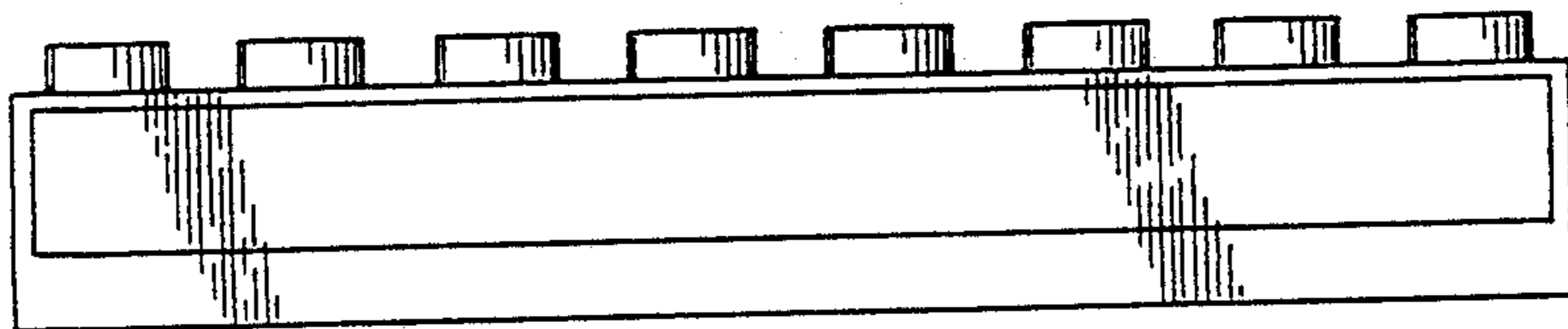


FIG.4

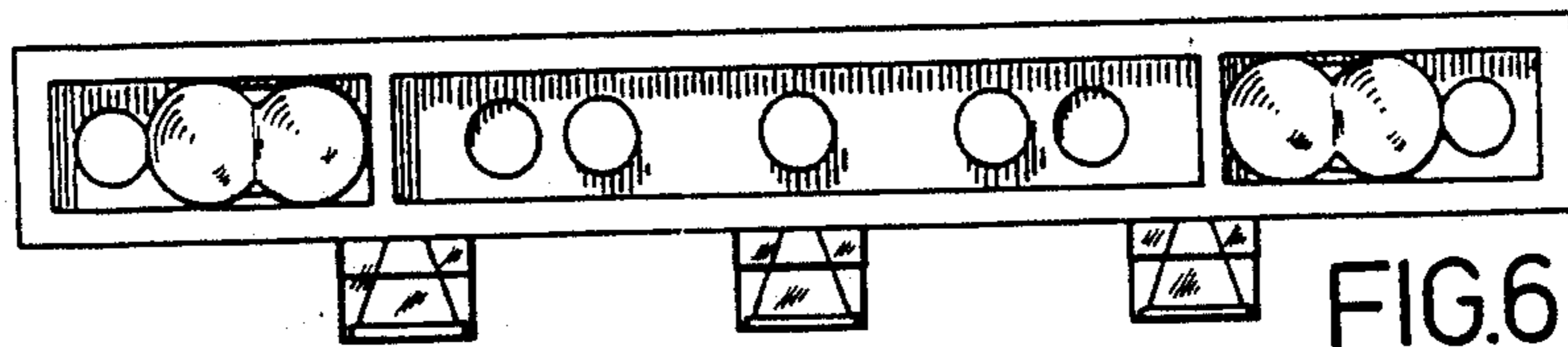


FIG.6

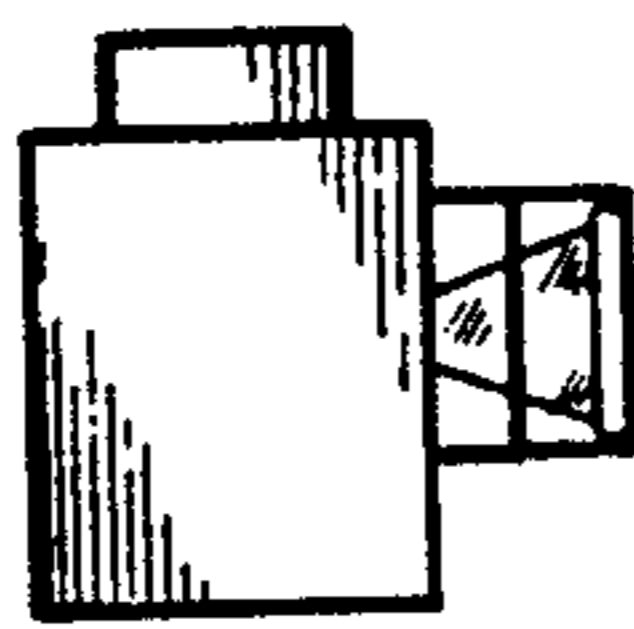


FIG.7