

[54] TOY LOCOMOTIVE

[75] Inventor: Herbert C. Weiland, Rancho Palo Verdes, Calif.

[73] Assignee: Clover Toys, Inc., La Mirada, Calif.

[**] Term: 14 Years

[21] Appl. No.: 332,118

[22] Filed: Apr. 3, 1989

[52] U.S. Cl. D21/76; D21/129

[58] Field of Search D21/71, 73, 74, 75, D21/76, 80, 81, 124, 129; 446/29, 433, 440, 441, 450, 452, 460, 465, 466, 467, 468, 470

[56] References Cited

U.S. PATENT DOCUMENTS

D. 217,374 4/1970 Hubiak D21/76

D. 221,163 7/1971 Tong D21/129
D. 257,362 10/1980 Imura D21/76
D. 289,537 4/1987 Leung D21/129

Primary Examiner—Charles A. Rademaker

Assistant Examiner—Alicia A. Farrell

Attorney, Agent, or Firm—G. Donald Weber, Jr.

[57] CLAIM

The ornamental design for a toy locomotive, as shown and described.

DESCRIPTION

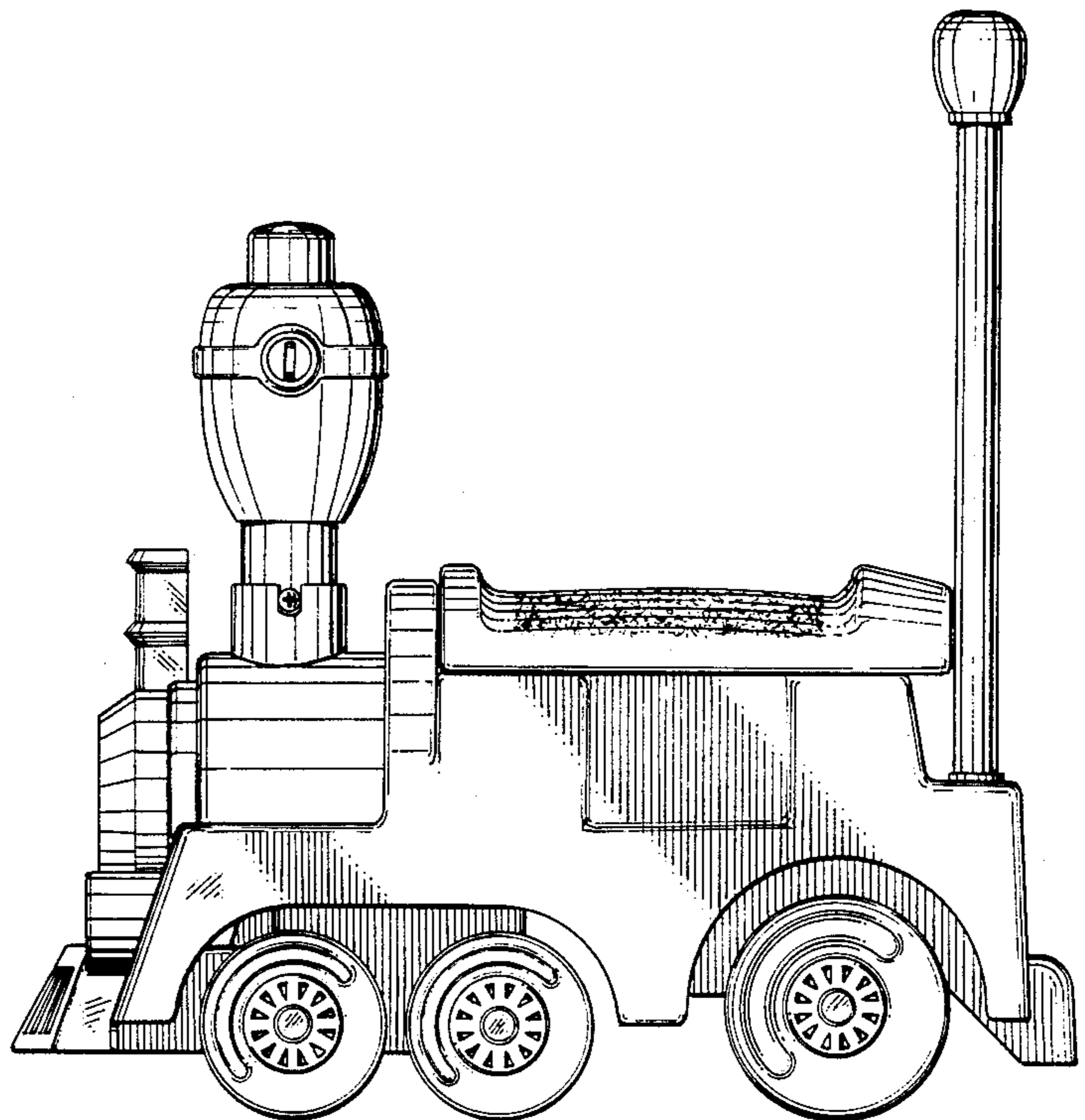
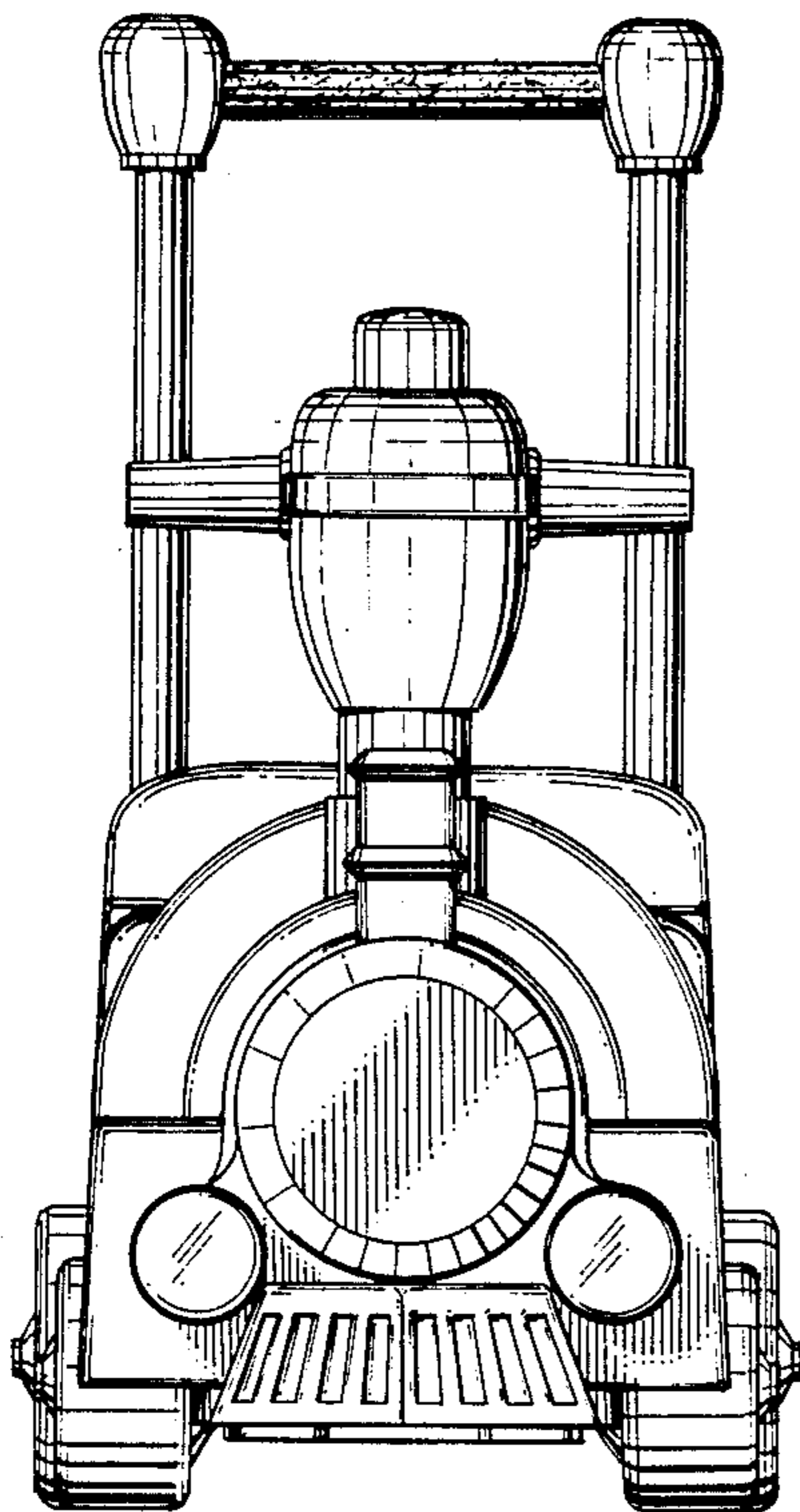
FIG. 1 is a side elevational view of a toy locomotive showing my new design, the side opposite being a mirror image;

FIG. 2 is a front elevational view thereof;

FIG. 3 is a rear elevational view thereof;

FIG. 4 is a top plan view thereof; and

FIG. 5 is a bottom plan view thereof.



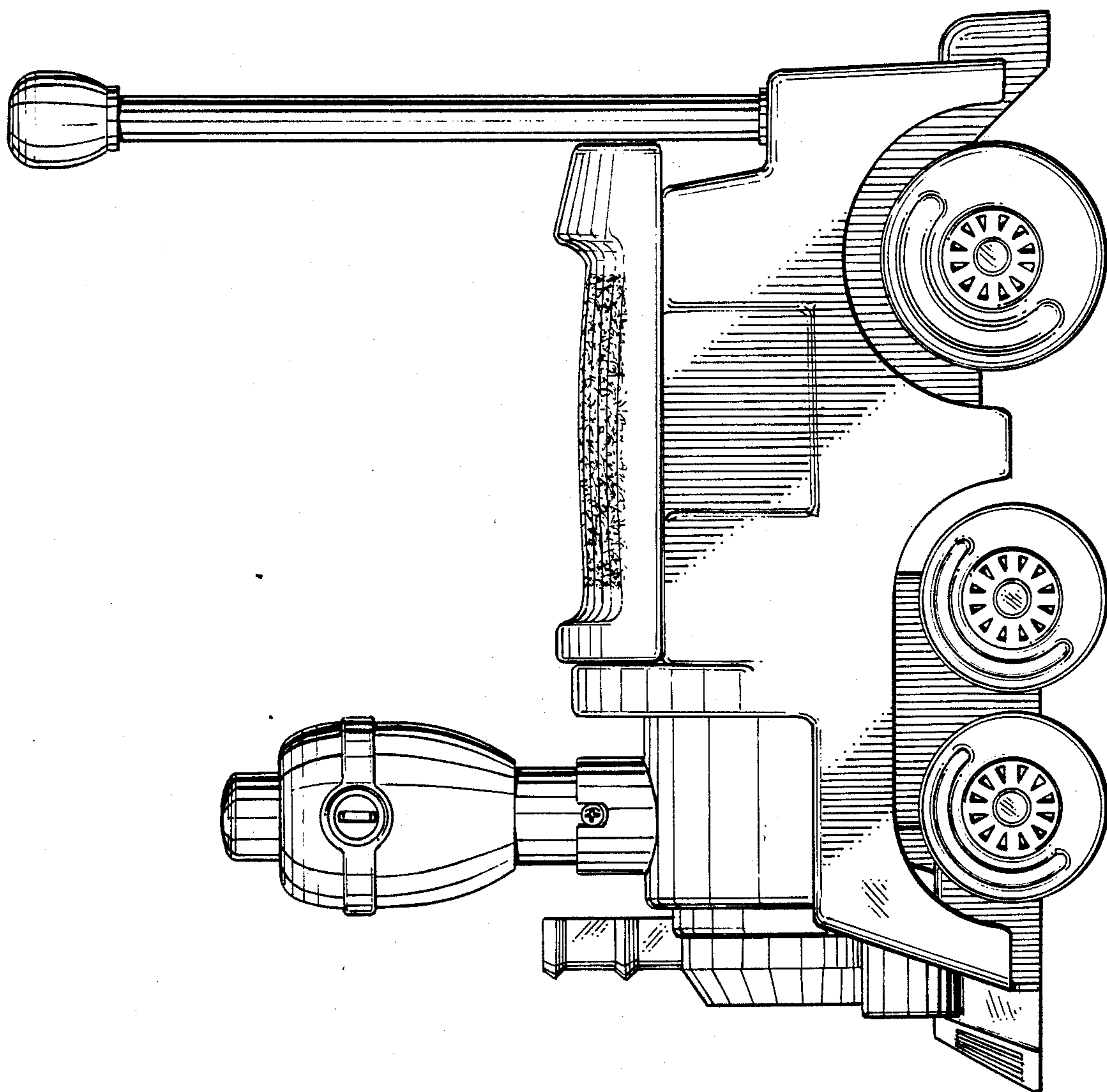


FIG. 1

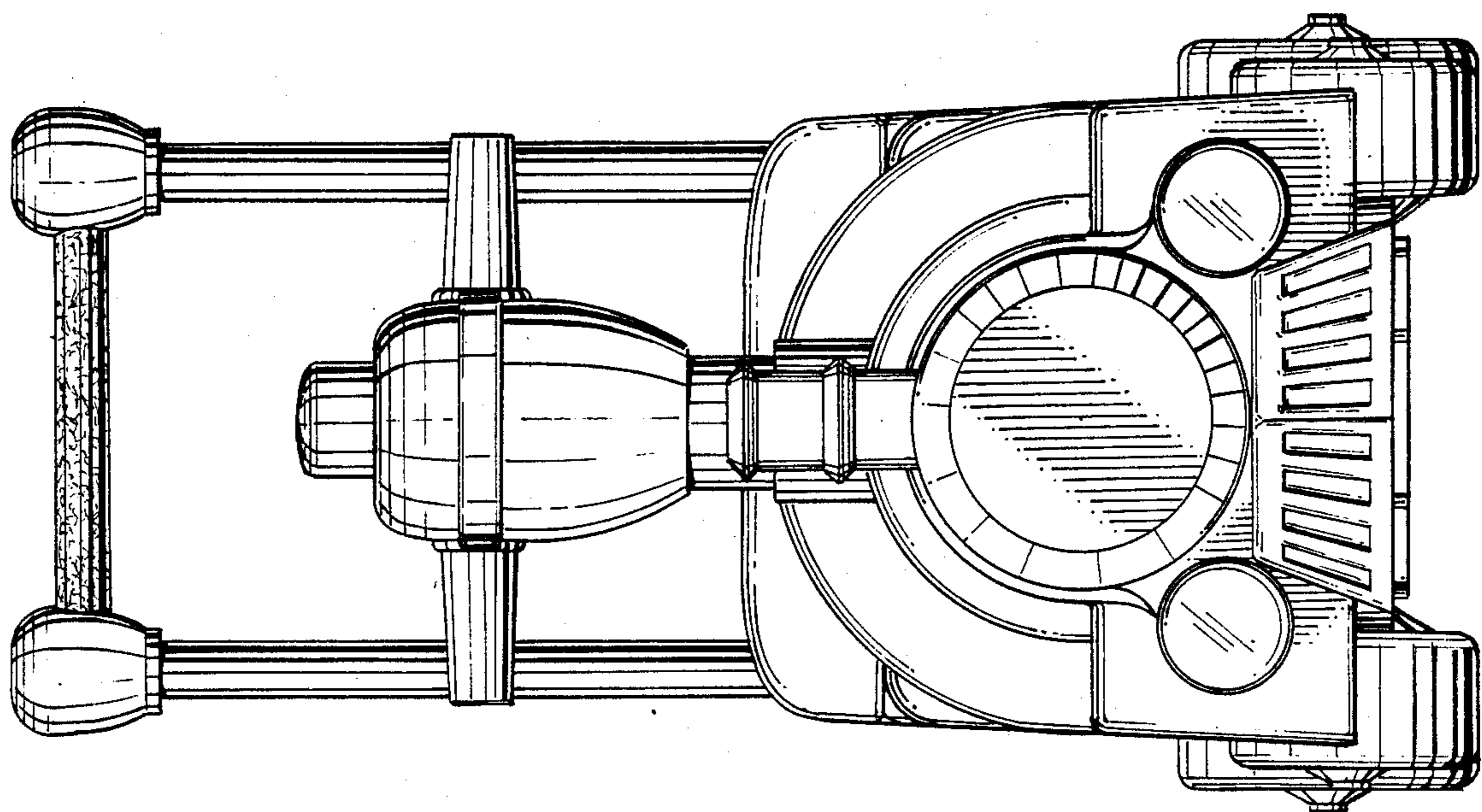


FIG. 2

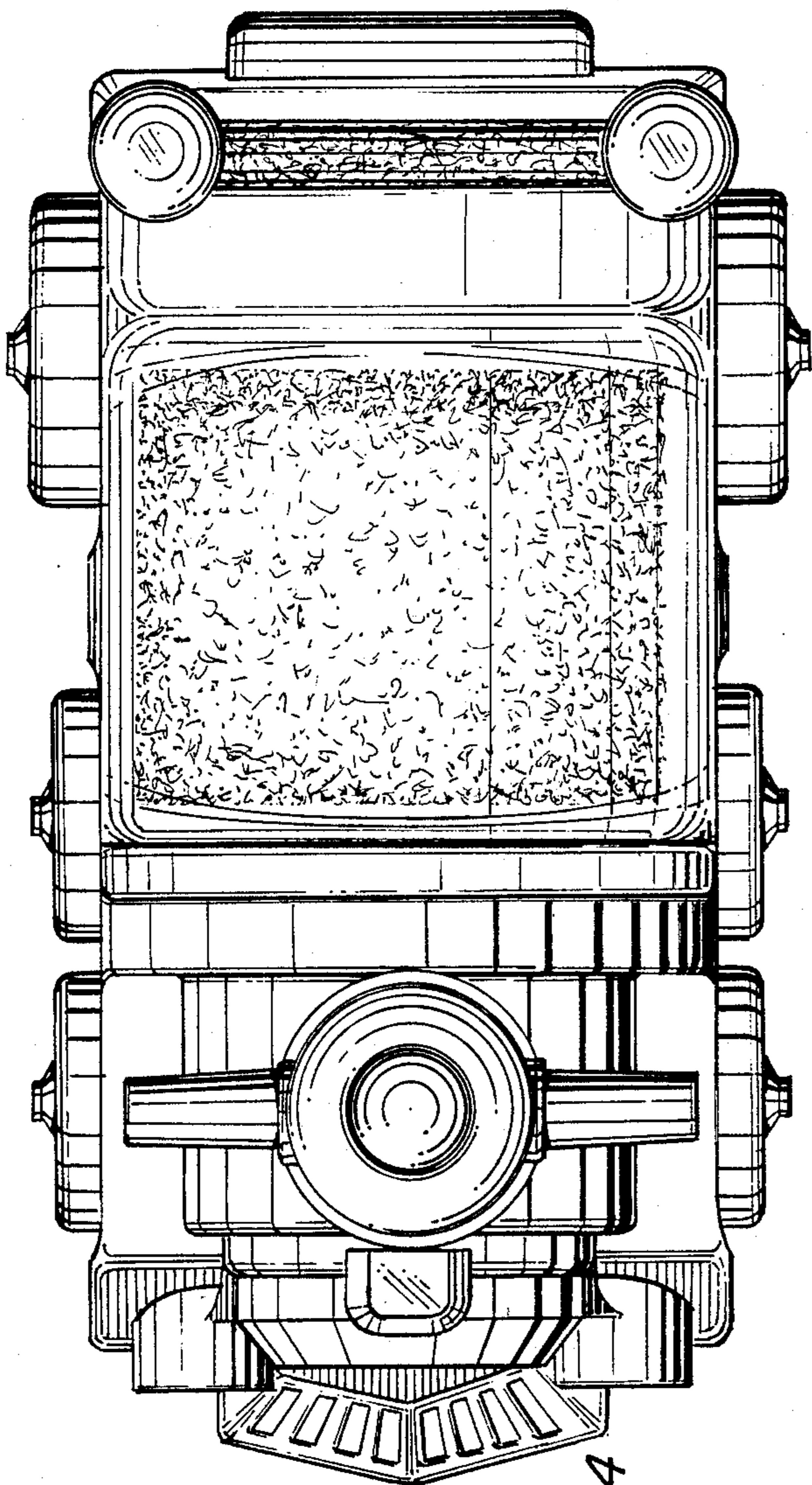


FIG. 4

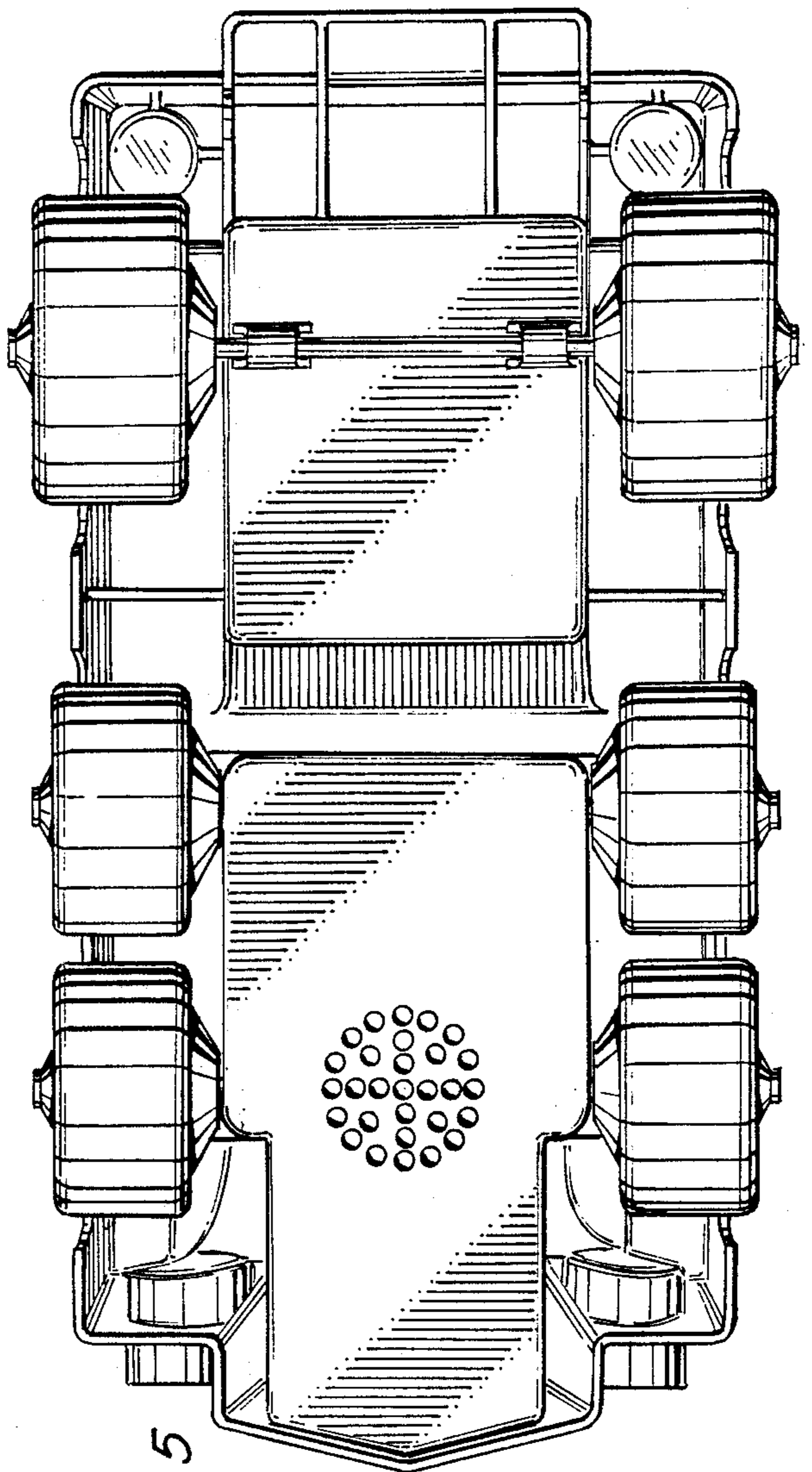


FIG. 5

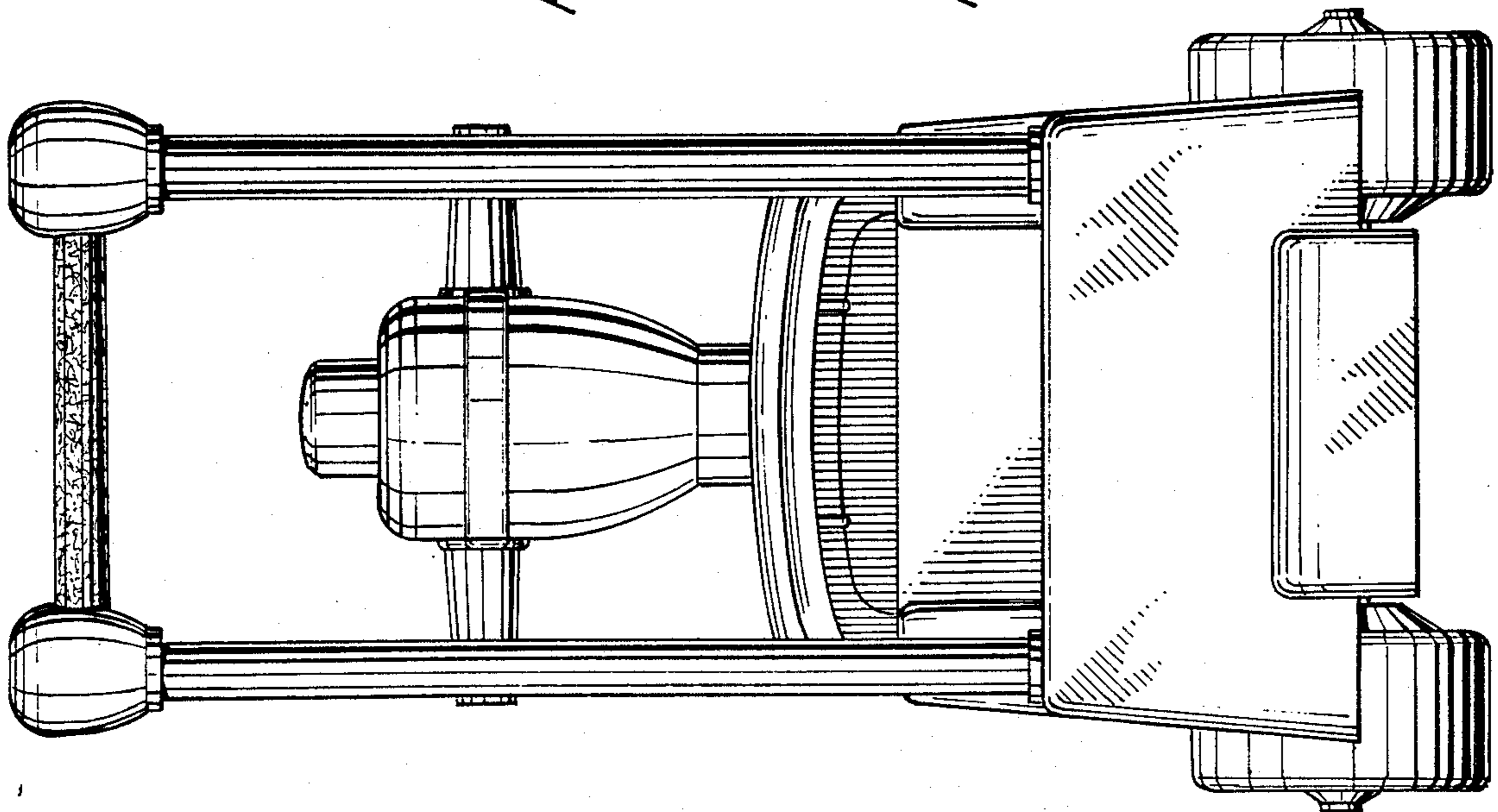


FIG. 3