

[54] **COVERED CARD FILE**

[75] Inventors: **John Leszczak, Roselle Park, N.J.;
Robert H. Bruno, Avon, Conn.**

[73] Assignee: **The Bates Manufacturing Company,
Hackettstown, N.J.**

[**] Term: **14 Years**

[21] Appl. No.: **41,768**

[22] Filed: **Apr. 23, 1987**

[52] U.S. Cl. **D19/76; D19/75;
D19/90**

[58] Field of Search **D19/76; D3/35, 30.1;
40/371, 374, 375, 376, 378, 379; 206/387, 444**

[56] **References Cited**

U.S. PATENT DOCUMENTS

- D. 243,526 3/1977 Overman D19/76
- D. 267,911 2/1983 Long et al. D19/76 X
- D. 280,477 9/1983 Petrick D19/76 X
- D. 283,948 5/1986 Clouser et al. D19/76 X

- D. 285,214 8/1986 Roskvist D19/76
- D. 285,216 8/1986 Roskvist D19/76
- D. 287,070 12/1986 Staubitz et al. D19/76

Primary Examiner—Bruce W. Dunkins
Assistant Examiner—Martha Thompson
Attorney, Agent, or Firm—Weingram & Zall

[57] **CLAIM**

The ornamental design for a covered card file, as shown and described.

DESCRIPTION

FIG. 1 is a left, front perspective view of a covered card file showing our new design;
FIG. 2 is a left side elevational view, the right side being a mirror image thereof;
FIG. 3 is a top plan view;
FIG. 4 is a front elevational view;
FIG. 5 is a rear elevational view;
FIG. 6 is a bottom plan view; and
FIG. 7 is a left, front perspective view thereof with the cover member in an opened position.

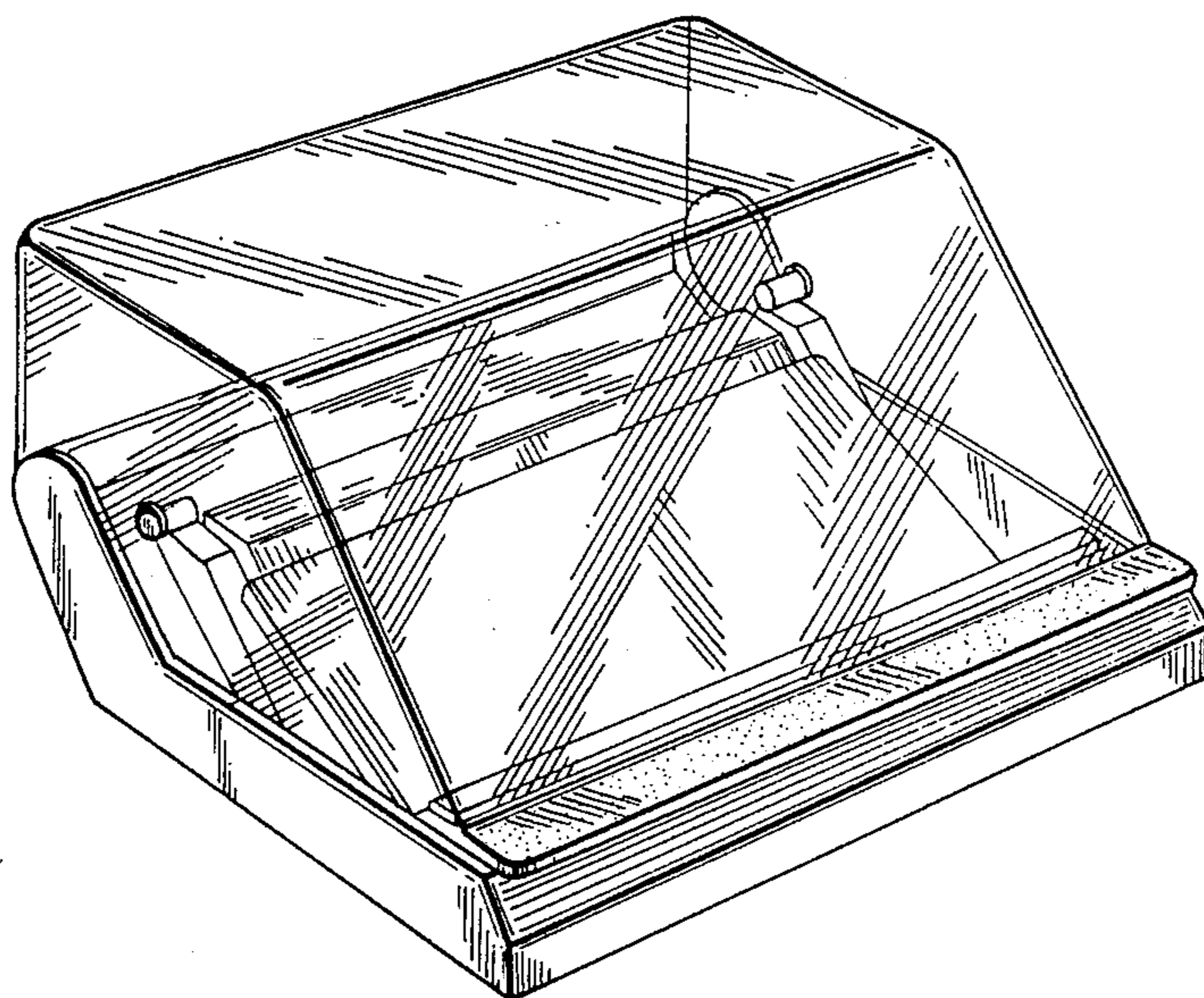


FIG-1

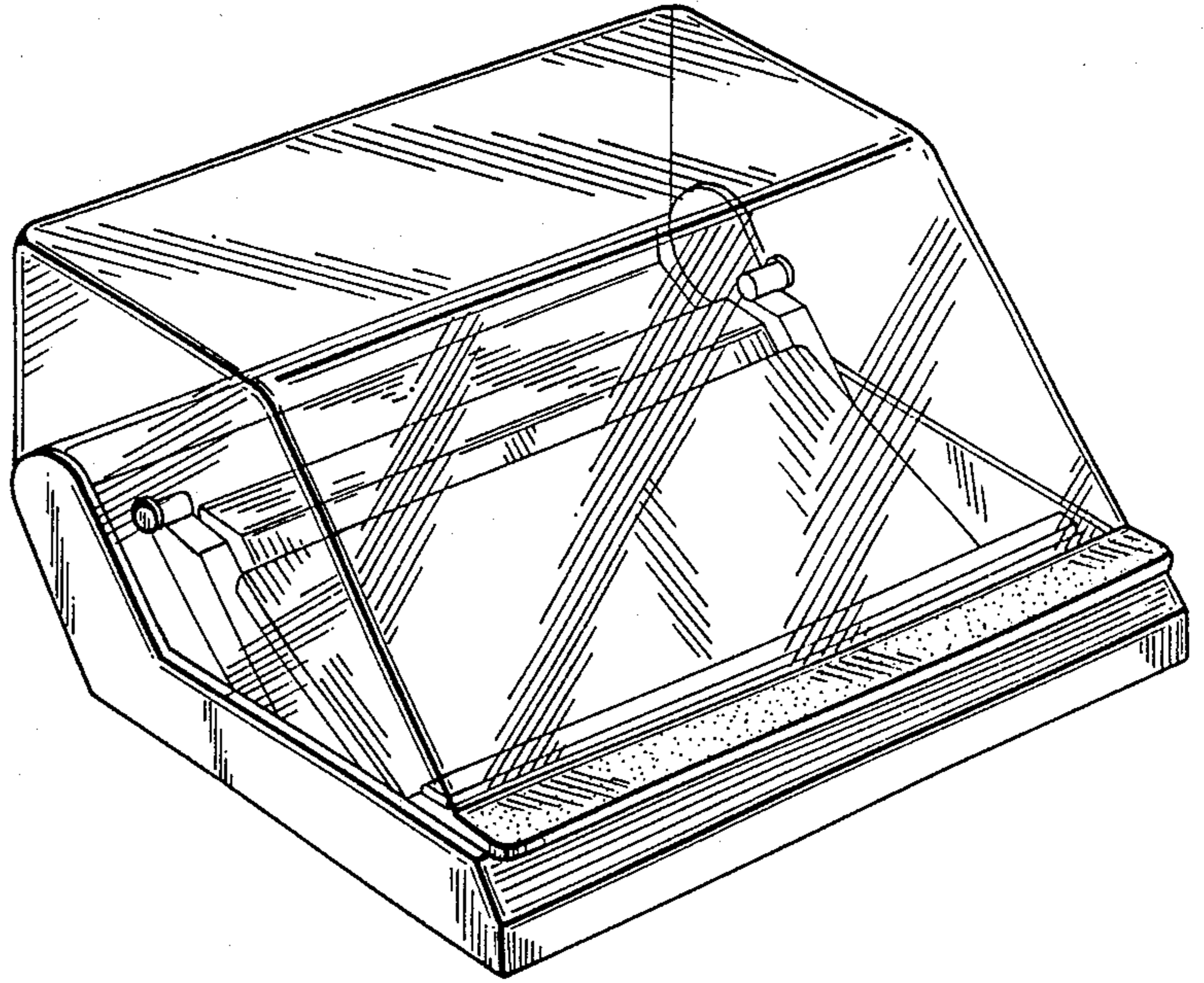


FIG-2

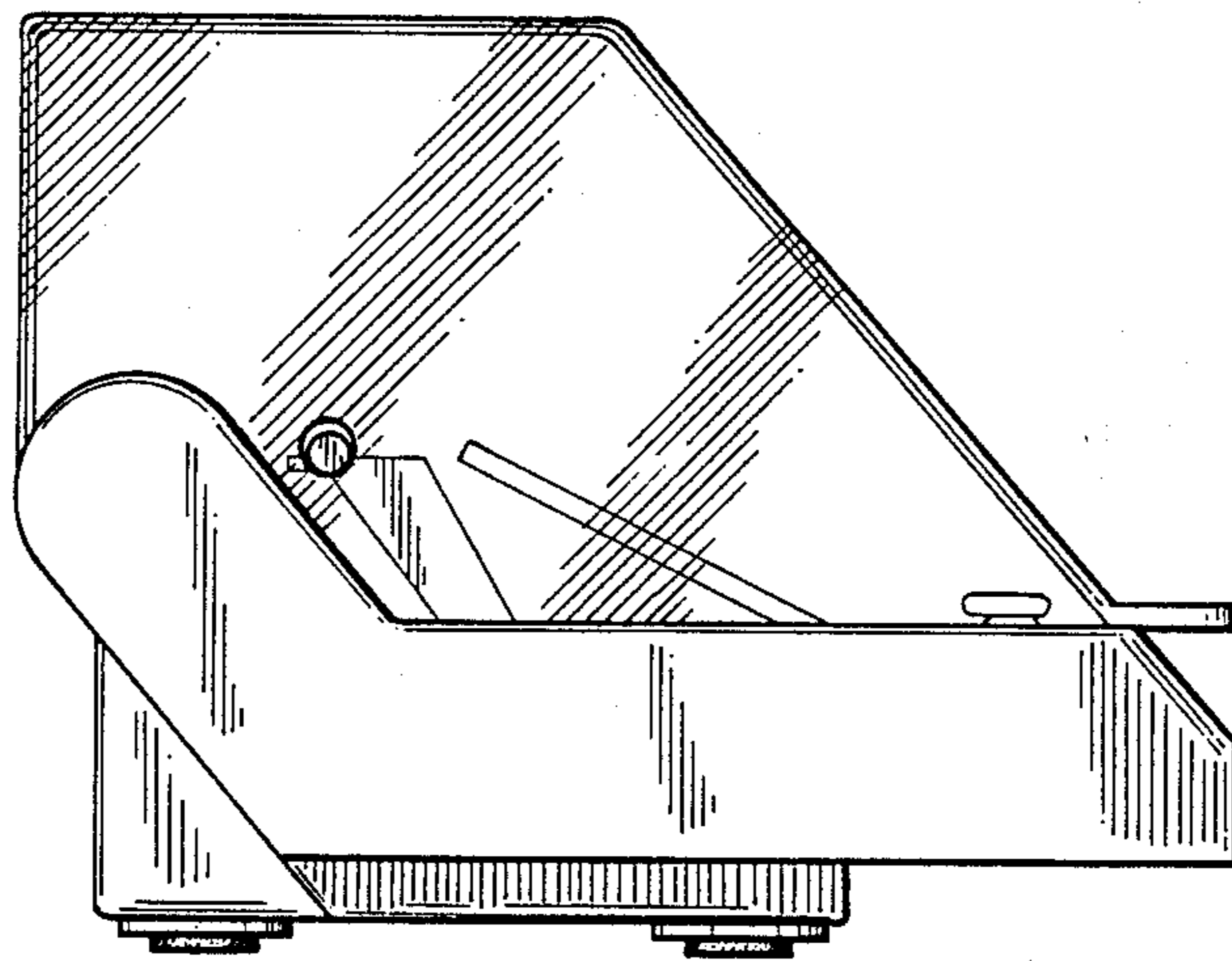


FIG-3

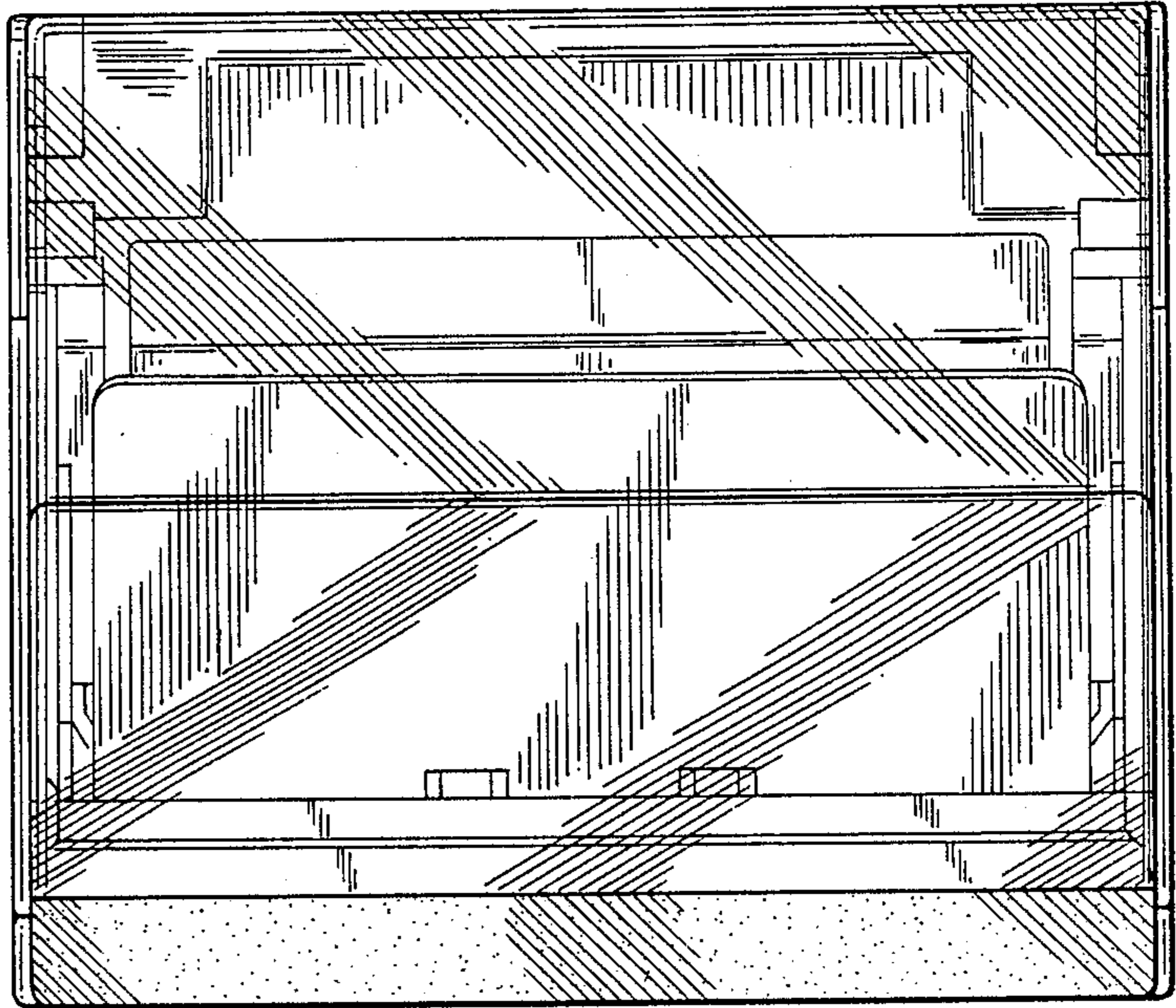


FIG-4

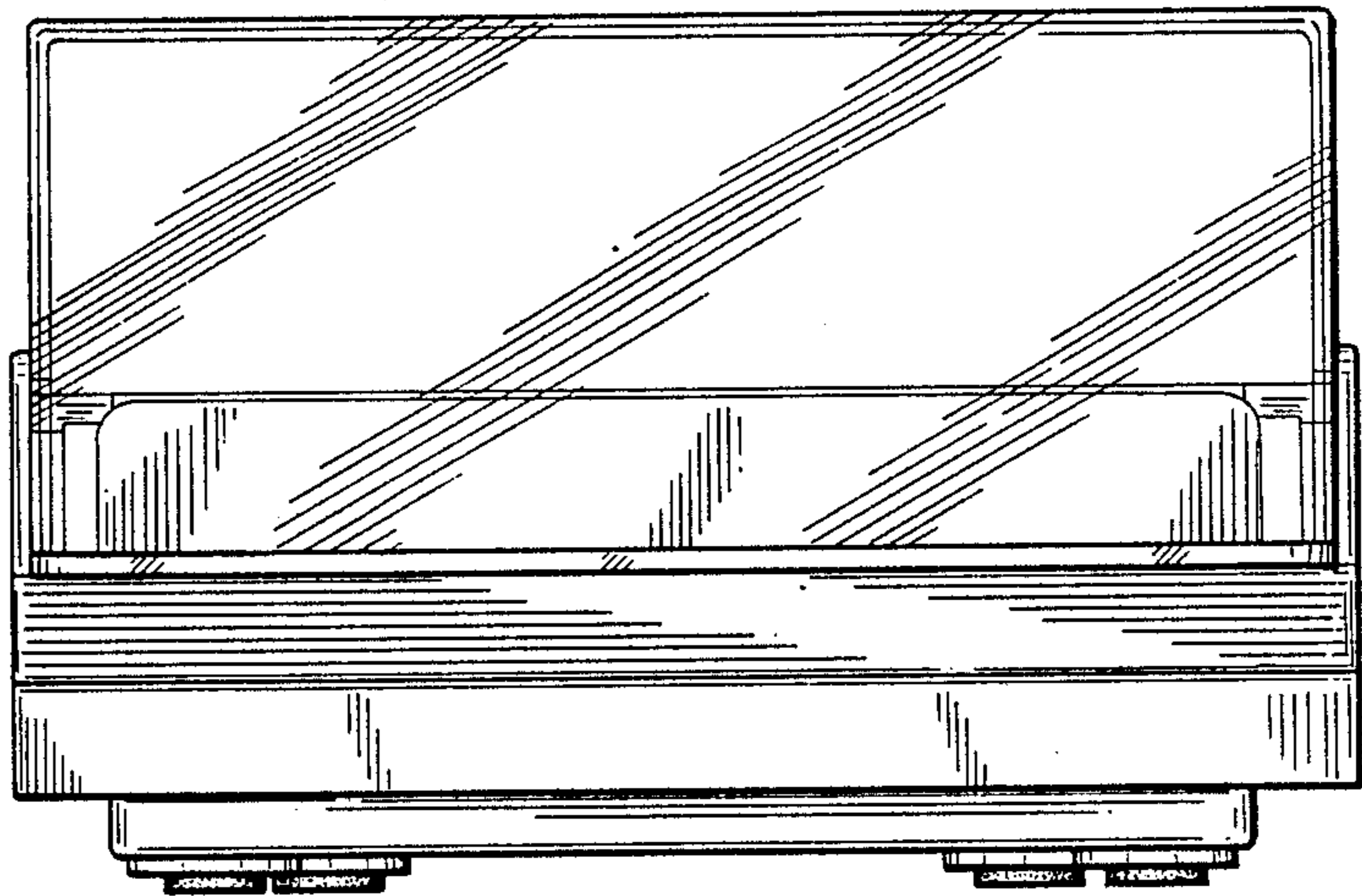


FIG-5

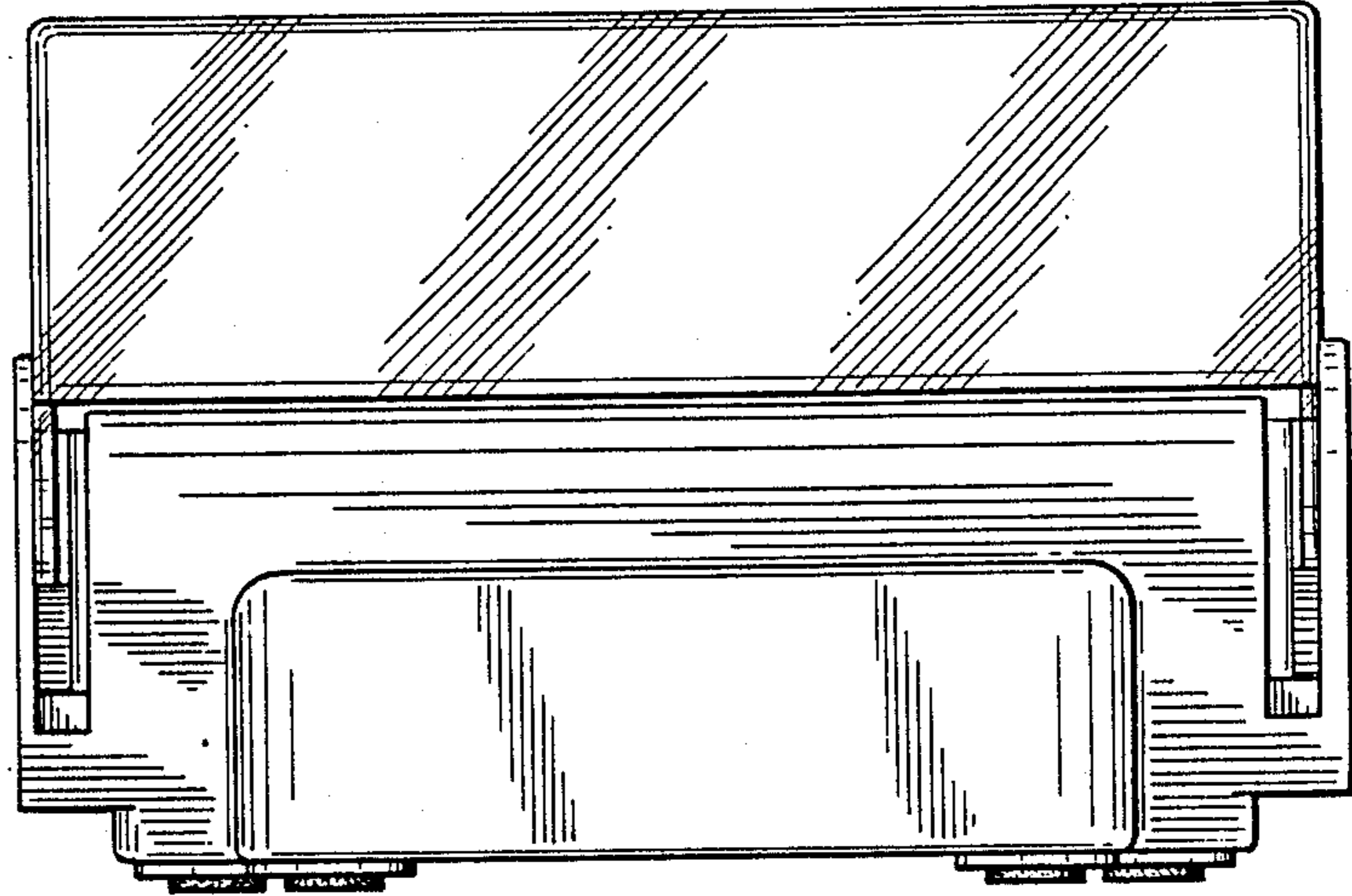


FIG-6

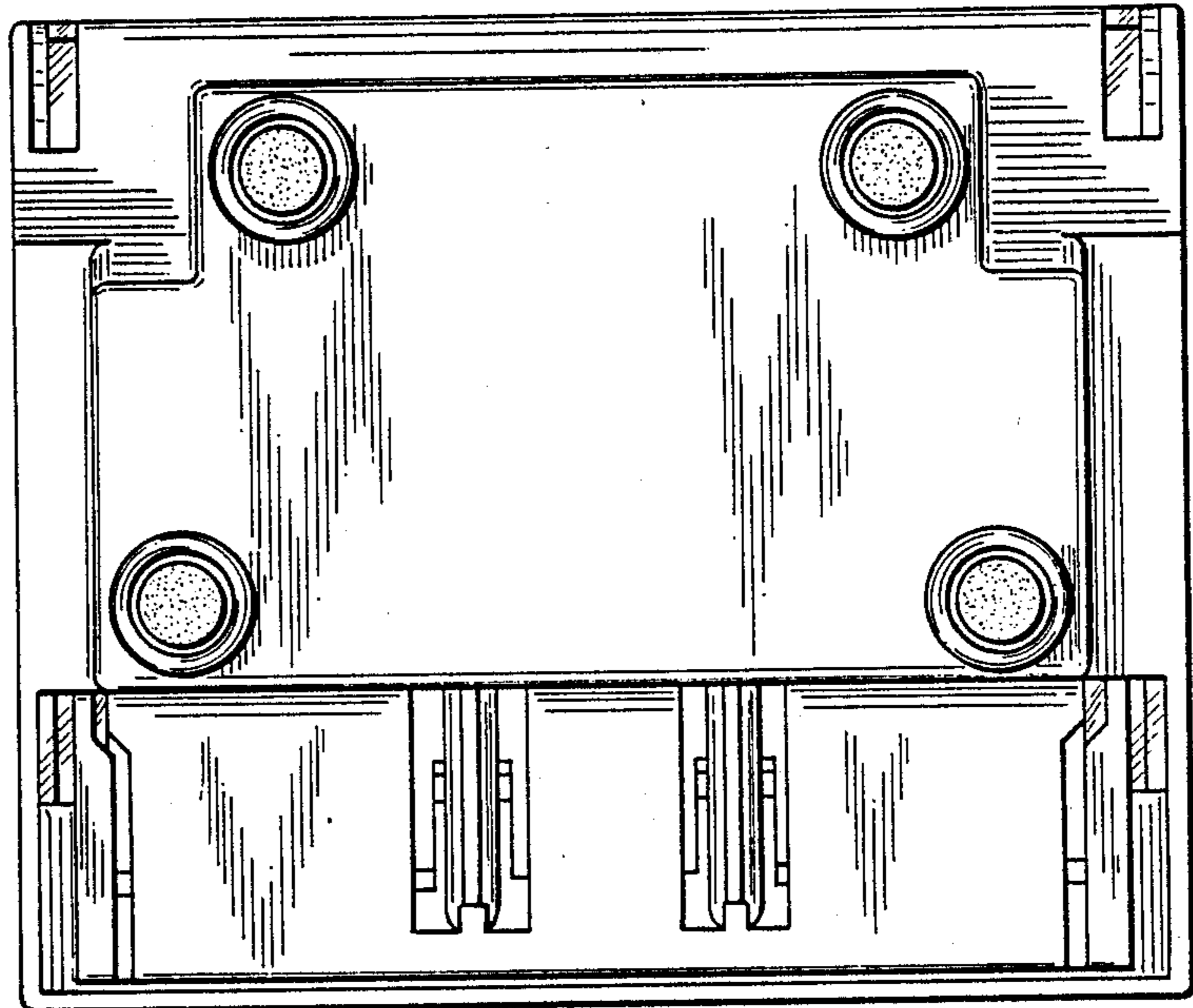


FIG-7

