

[54] EDUCATIONAL BALANCE BEAM

3,837,644 9/1974 Stinchcomb ..... 272/111 X  
4,105,201 8/1978 L'Eaujer et al. .... 272/111

[75] Inventor: Mark Dorman, Sodus, N.Y.

Primary Examiner—Wallace R. Burke  
Assistant Examiner—Pamela J. Schmidt  
Attorney, Agent, or Firm—Schweitzer & Cornman

[73] Assignee: PCA Industries Inc., Long Island City, N.Y.

[\*\*] Term: 14 Years

[57] CLAIM

[21] Appl. No.: 77,785

The ornamental design for an educational balance beam, as shown.

[22] Filed: Jul. 27, 1987

DESCRIPTION

[52] U.S. Cl. .... D19/59; 272/111

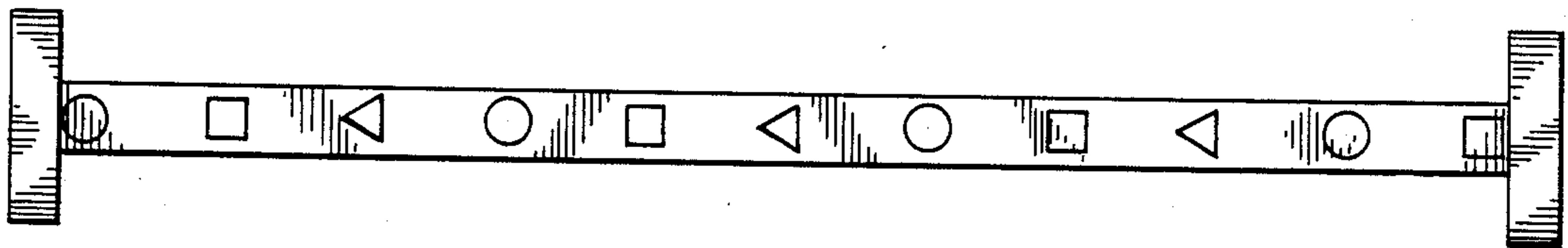
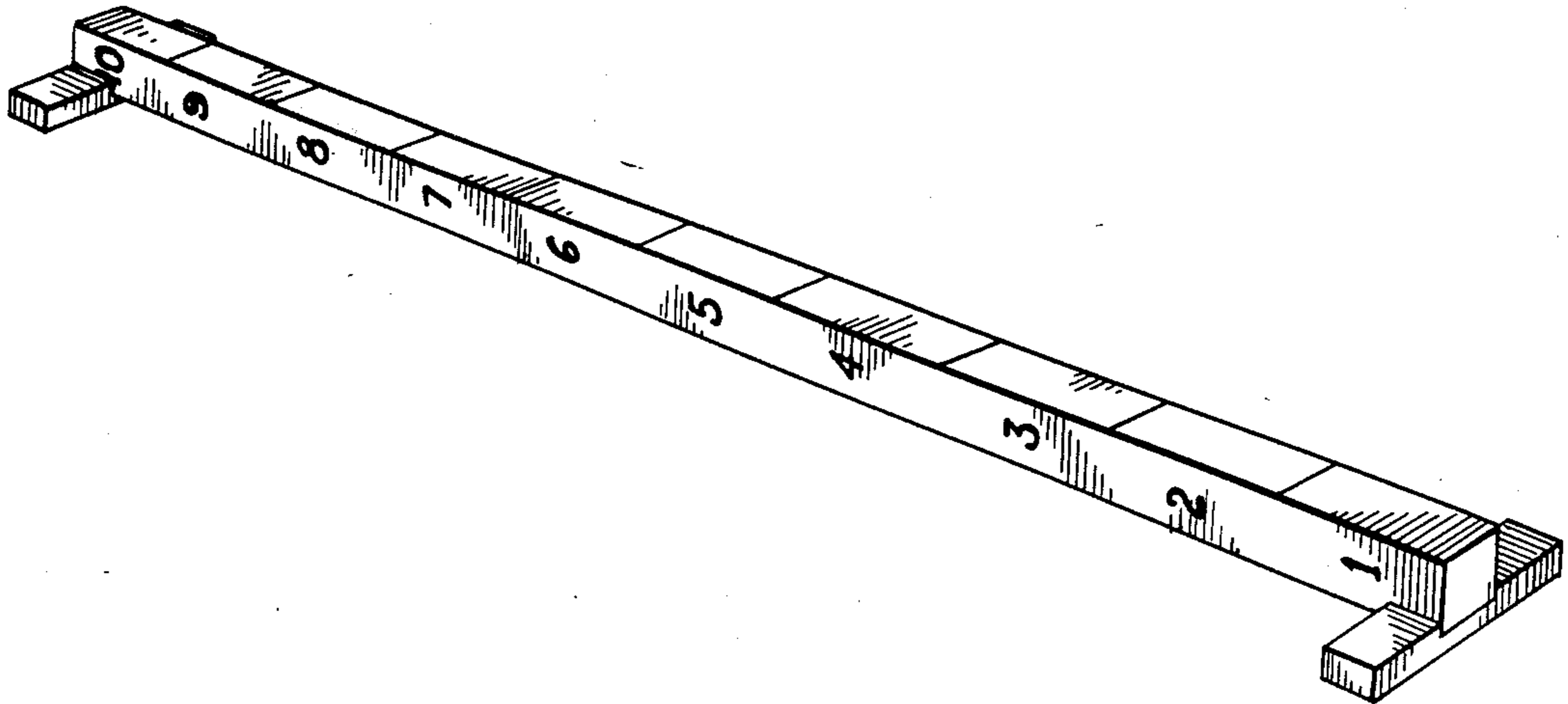
[58] Field of Search ..... D19/60, 61, 62, 63, D19/64; D21/235; 272/109, 62, 111

FIG. 1 is a left side perspective view of an educational balance beam showing my new design;  
FIG. 2 is a top plan view thereof;  
FIG. 3 is a left side elevational view thereof;  
FIG. 4 is a bottom plan view thereof;  
FIG. 5 is a right side elevational view thereof; and  
FIG. 6 is an end elevational view, the undisclosed end being a mirror image thereof.

[56] References Cited

U.S. PATENT DOCUMENTS

3,545,747 12/1970 Thomas ..... 272/111 X  
3,580,568 5/1971 Stone ..... 272/111



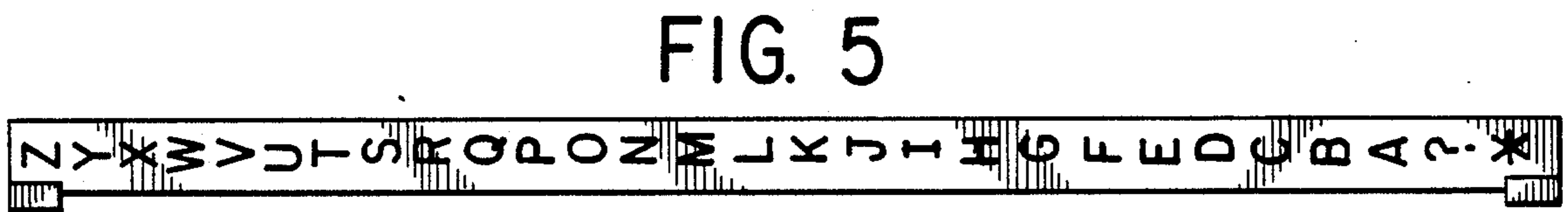
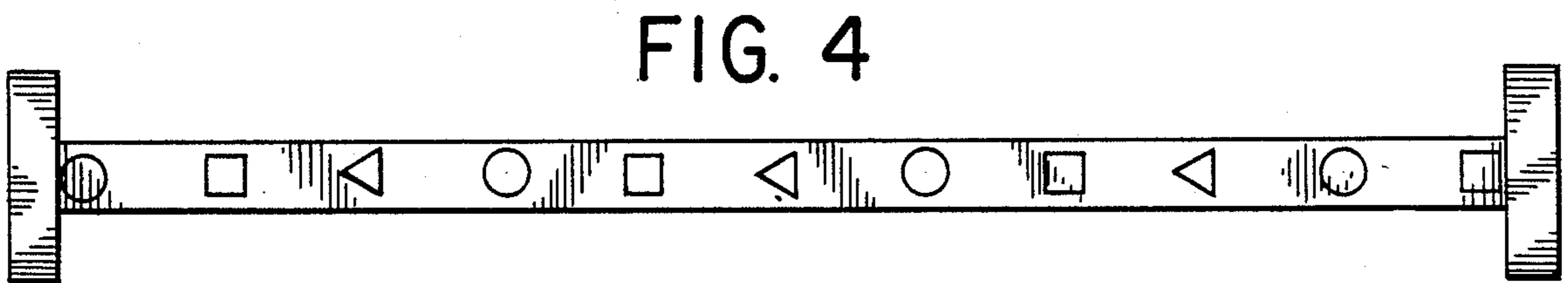
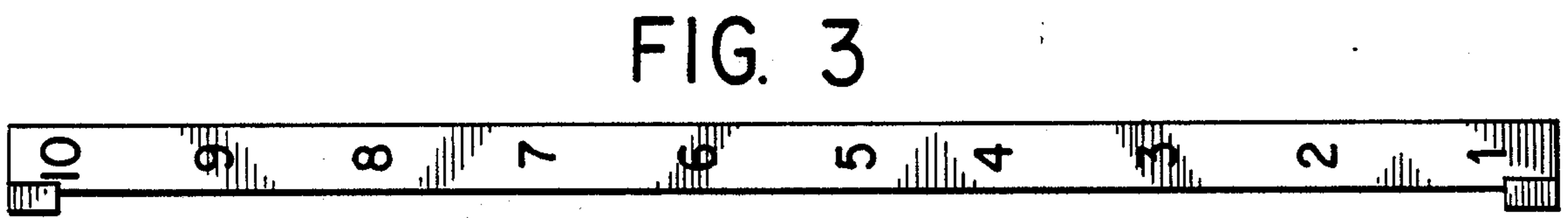
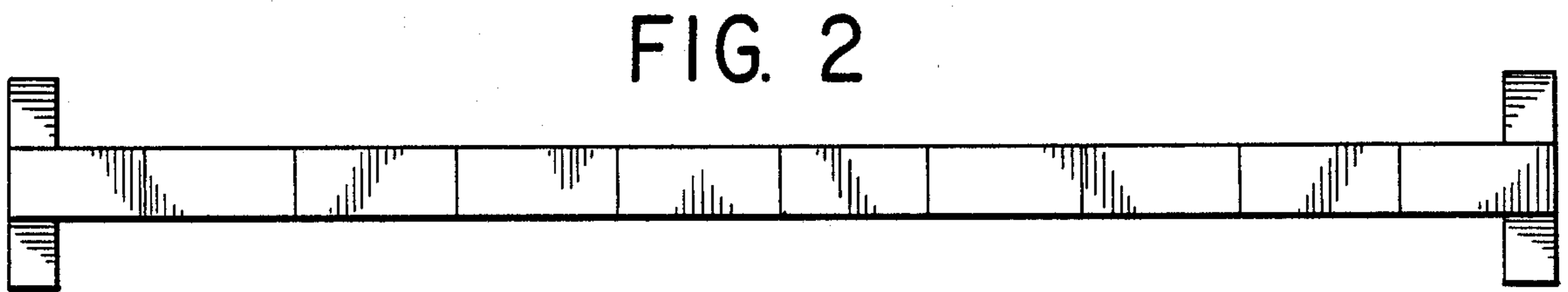
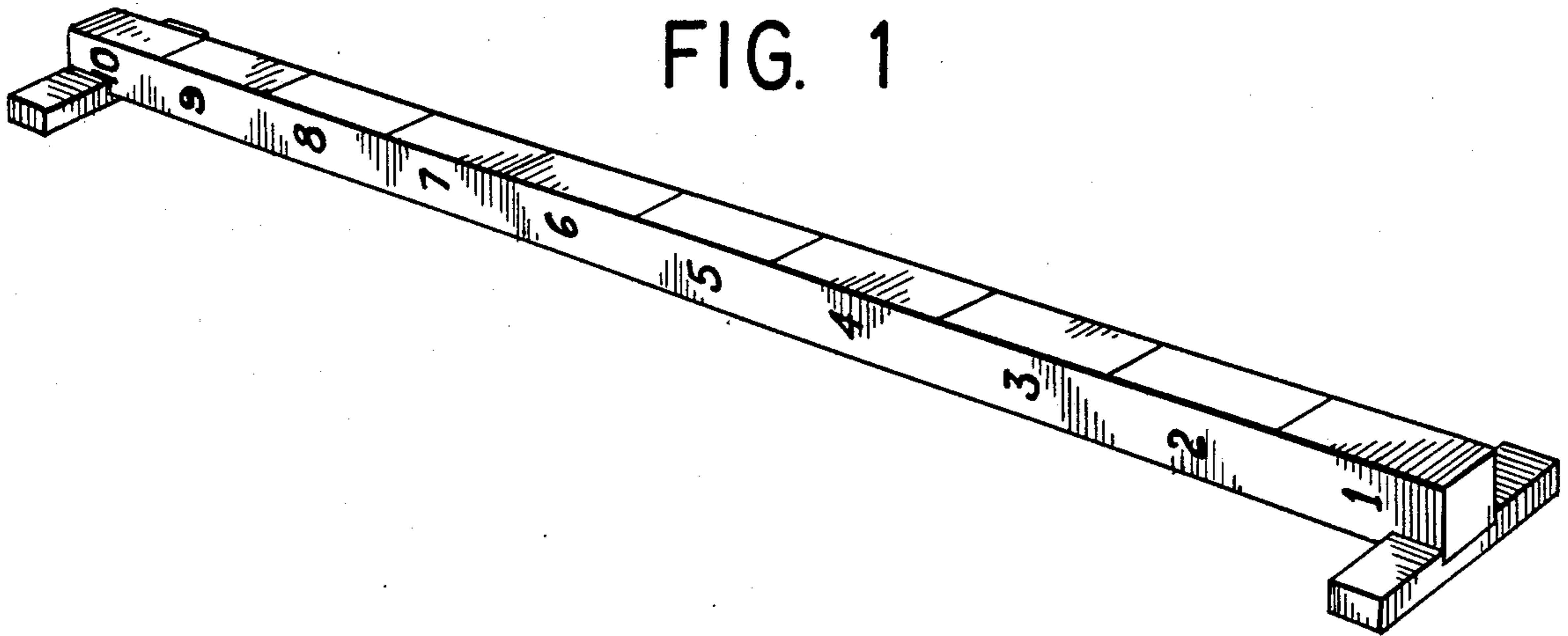


FIG. 6

