

United States Patent [19]

Tanizawa et al.

[11] Patent Number: **Des. 308,696**

[45] Date of Patent: **** Jun. 19, 1990**

[54] PROCESS UNIT FOR COPYING MACHINE

[75] Inventors: **Akiyoshi Tanizawa, Osaka; Junichi Takamatsu, Hannan; Kazunori Akiyama, Suita, all of Japan**

[73] Assignee: **Mita Industrial Co., Ltd., Osaka, Japan**

[**] Term: **14 Years**

[21] Appl. No.: **168,349**

[22] Filed: **Mar. 15, 1988**

[30] **Foreign Application Priority Data**

Jan. 14, 1988 [JP] Japan 63-1165
[52] U.S. Cl. **D18/40**
[58] Field of Search D18/40, 43; 355/245,
355/260

[56] **References Cited**

U.S. PATENT DOCUMENTS

D. 286,541 11/1986 Takahashi et al. D18/43
D. 298,333 11/1988 Masaki et al. D18/43
4,530,588 7/1985 Kimura et al. 355/260

Primary Examiner—Bruce W. Dunkins
Assistant Examiner—Caron D. Veynar
Attorney, Agent, or Firm—Jordan and Hamburg

[57] **CLAIM**

The ornamental design for a process unit for copying machine, as shown and described.

DESCRIPTION

FIG. 1 is a right side elevational view of a process unit for copying machine showing our new design;
FIG. 2 is a top plan view thereof;
FIG. 3 is a left side elevational view thereof;
FIG. 4 is a bottom plan view thereof;
FIG. 5 is a rear elevational view thereof;
FIG. 6 is a front elevational view thereof;
FIG. 7 is a cross-sectional view thereof, taken along the line A—A in FIG. 2;
FIG. 8 is a right front perspective view thereof.

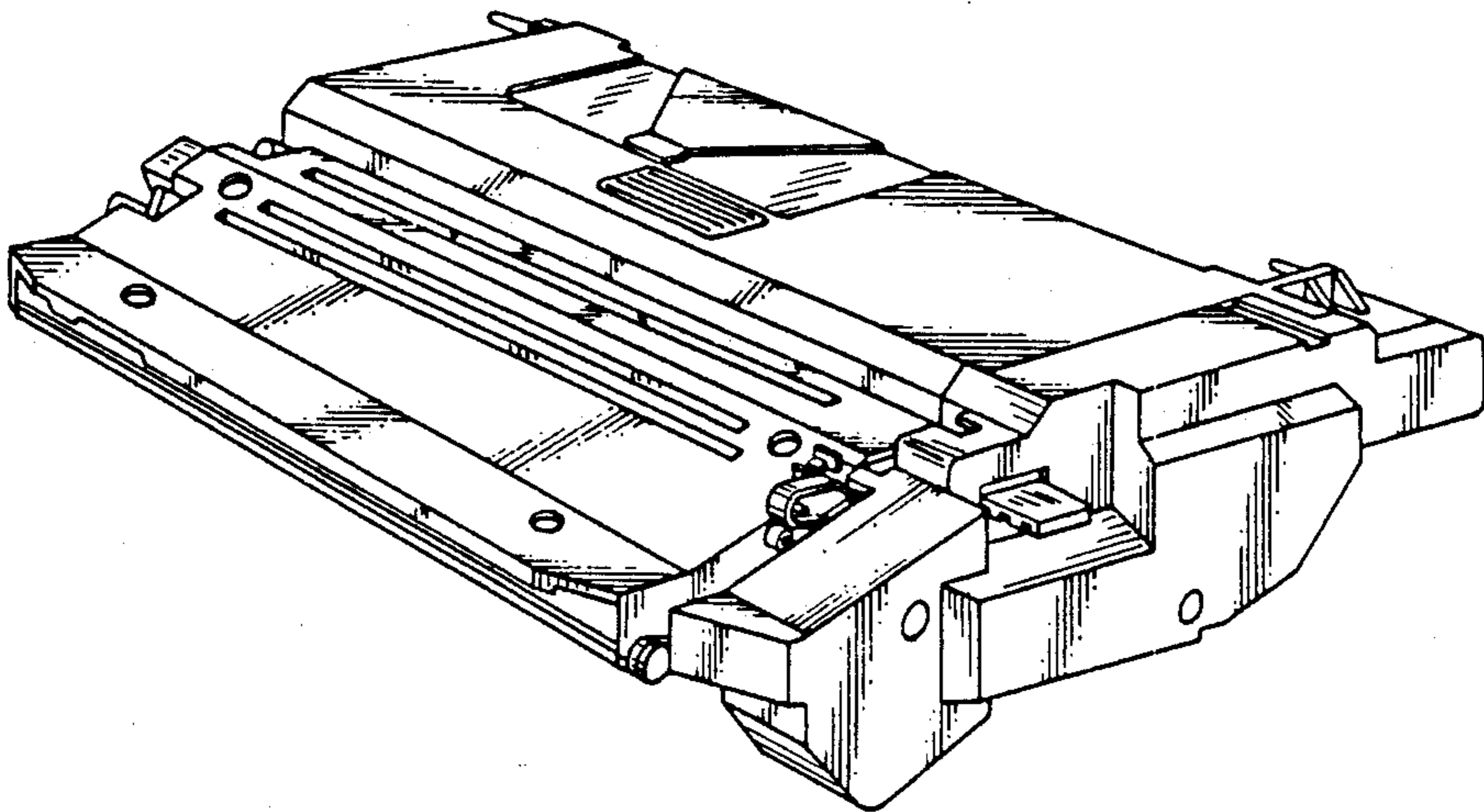


FIG. 1

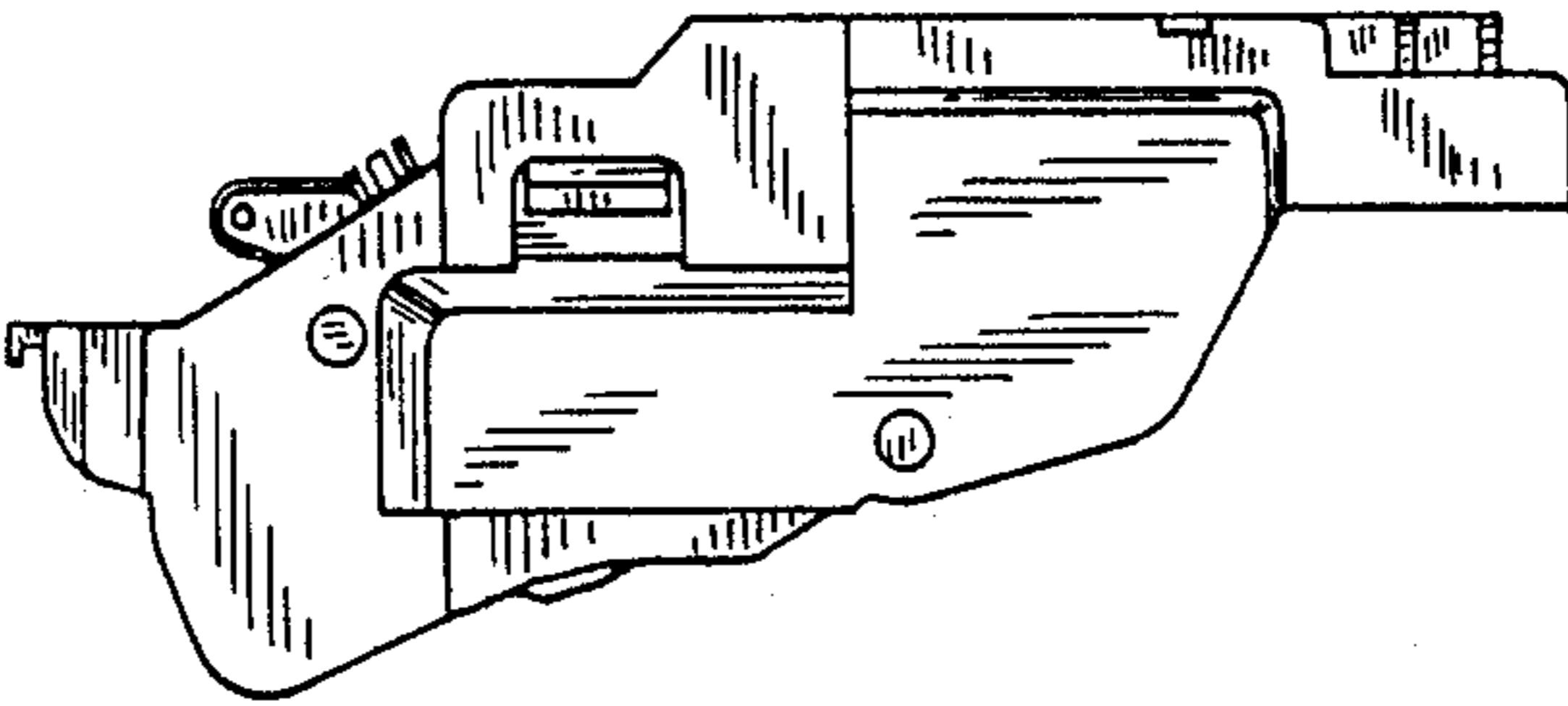


FIG. 2

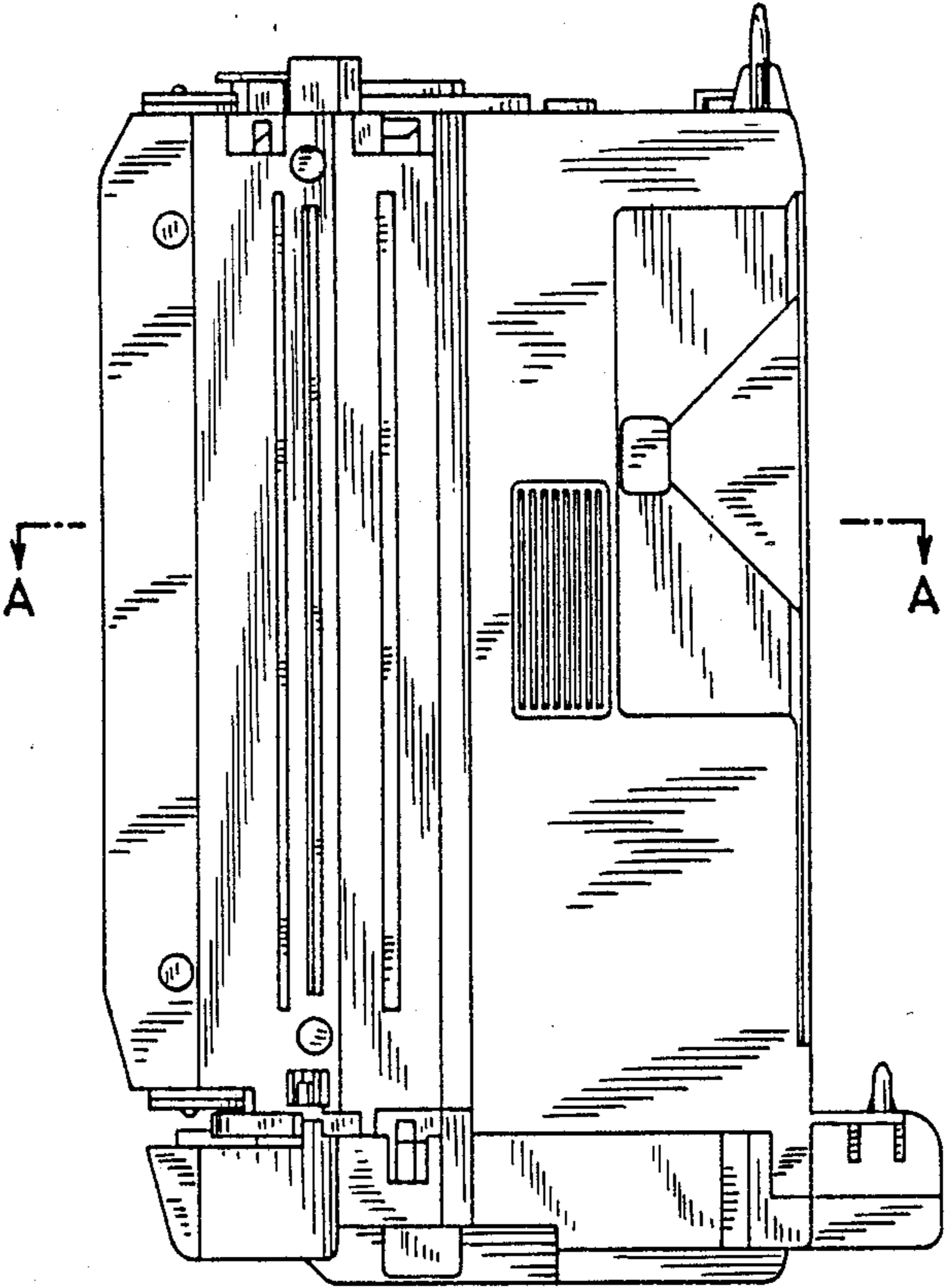


FIG.3

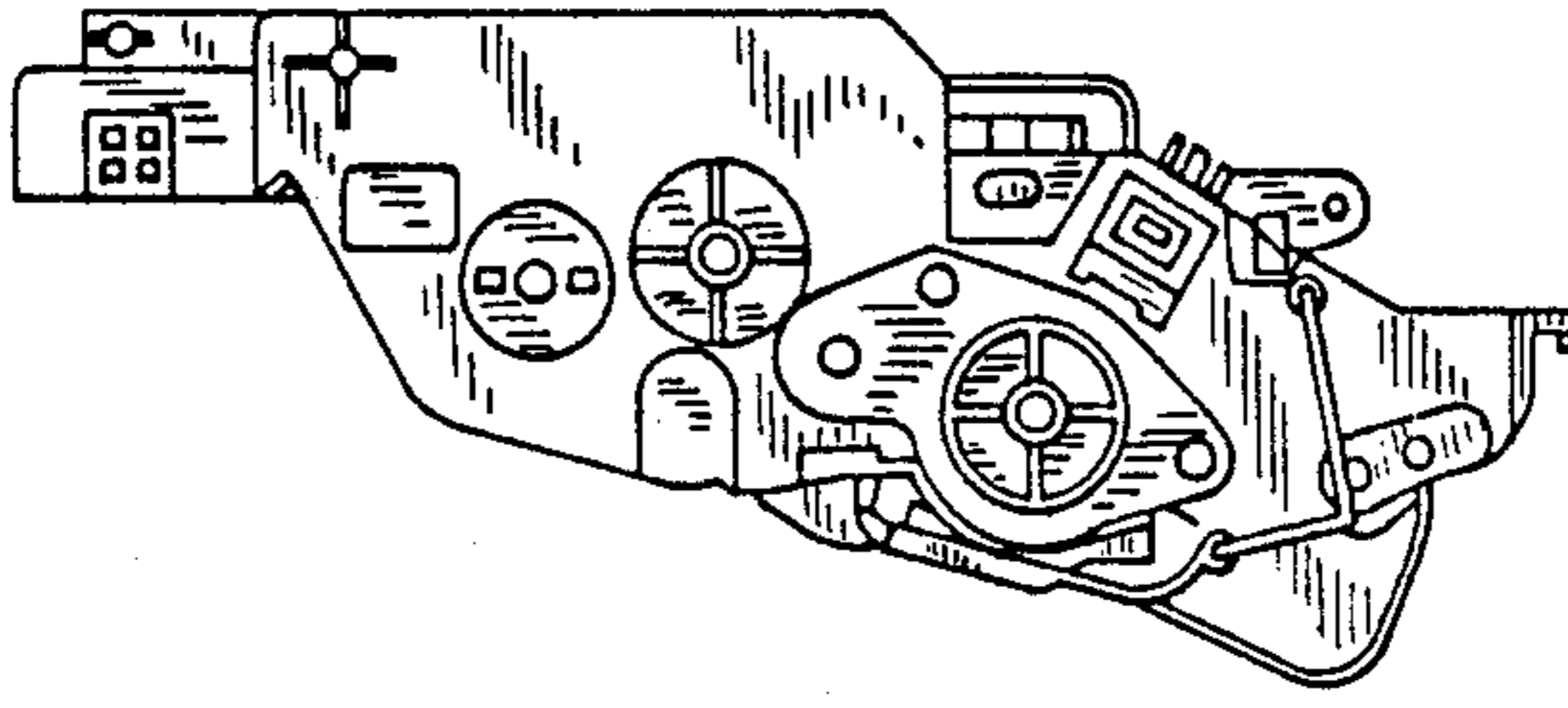


FIG.4

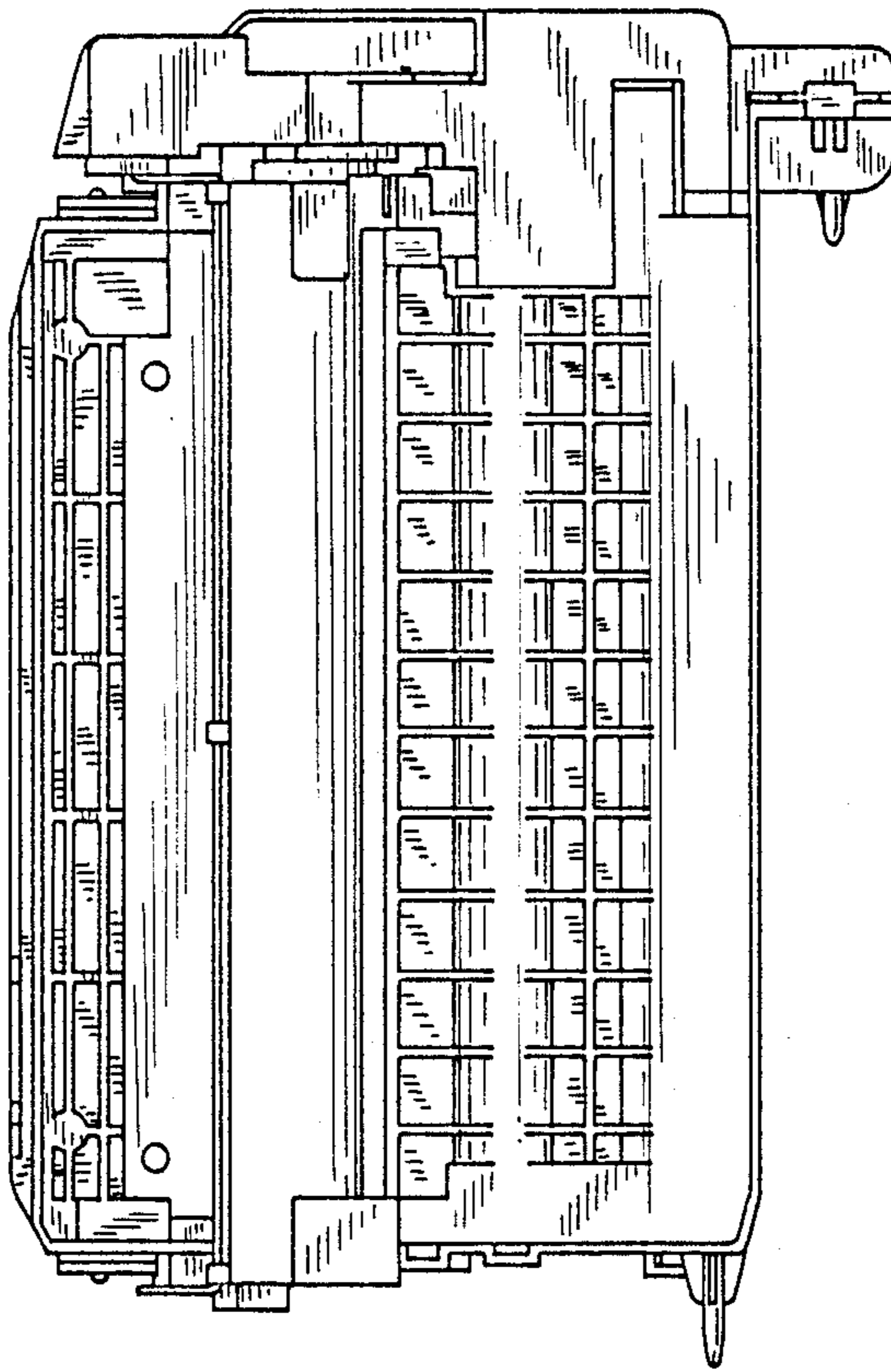


FIG.5

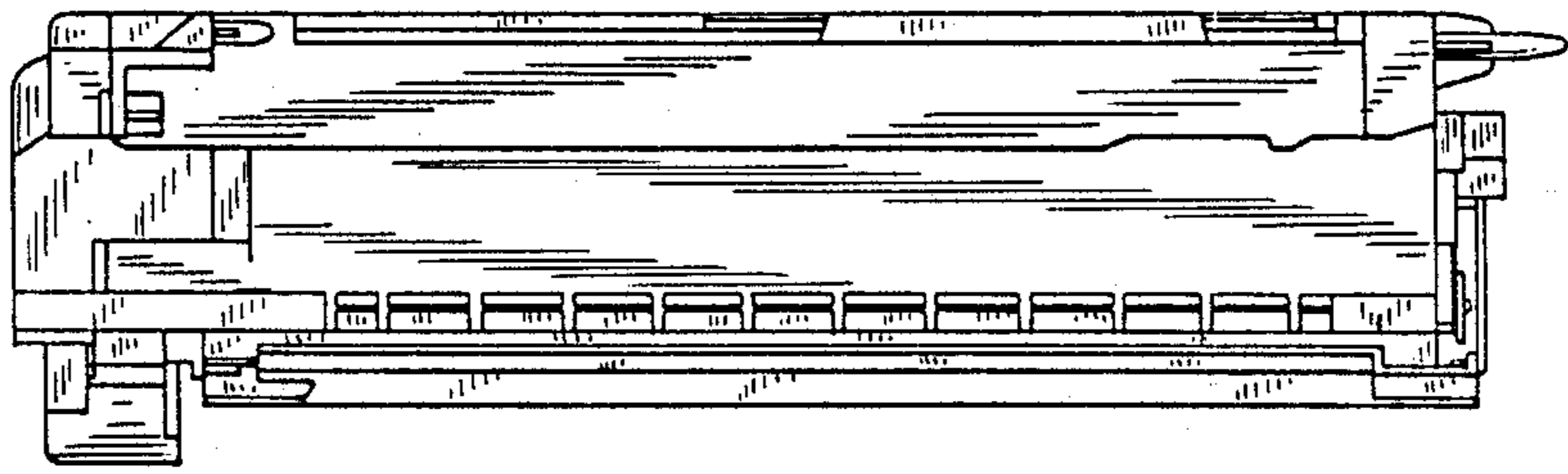


FIG.6

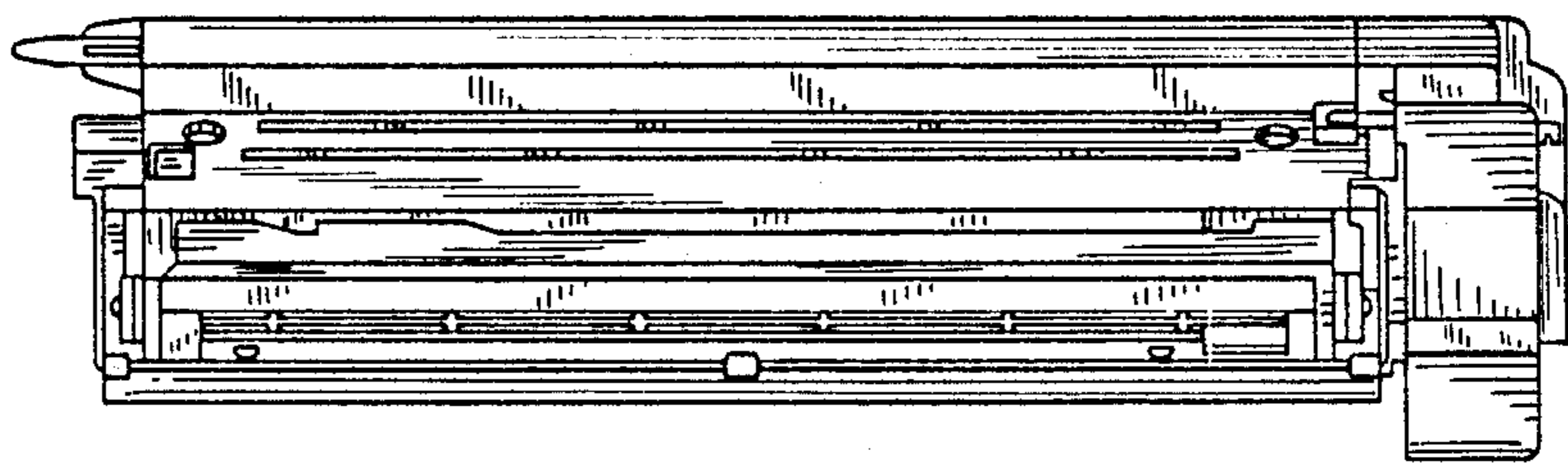


FIG.7

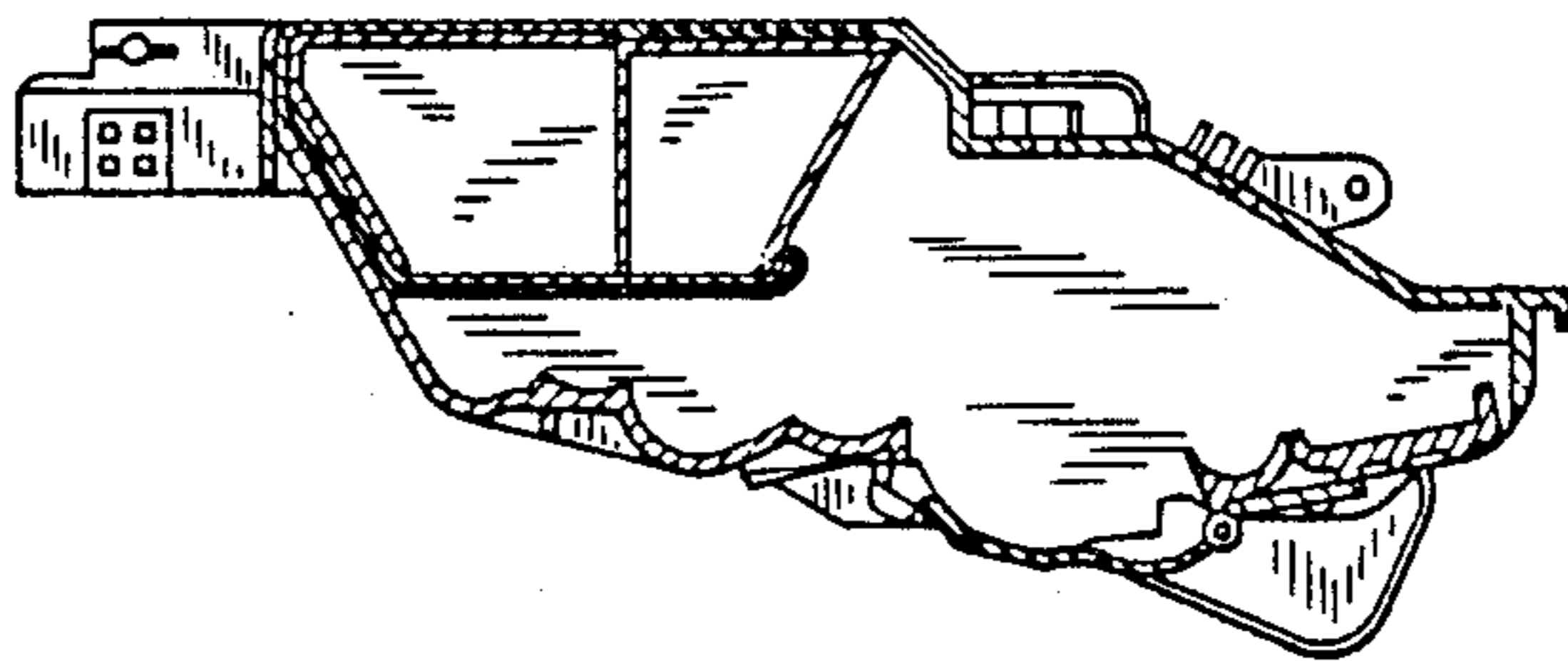


FIG.8

