

United States Patent [19]

Eto et al.

[11] Patent Number: Des. 308,695

[45] Date of Patent: ** Jun. 19, 1990

[54] **COMPUTER OUTPUT PRINTER**

[75] Inventors: Masayoshi Eto; Yukio Terauchi, both of Tokyo, Japan

[73] Assignee: NEC Corporation, Tokyo, Japan

[**] Term: 14 Years

[21] Appl. No.: 16,144

[22] Filed: Feb. 18, 1987

[30] **Foreign Application Priority Data**

Aug. 18, 1986 [JP] Japan 61-32110
[52] U.S. Cl. D18/13
[58] Field of Search D14/111; D18/13, 22, D18/23

[56] **References Cited**

U.S. PATENT DOCUMENTS

D. 280,723 9/1985 Nishida et al. D14/111
D. 283,900 5/1986 Hollerith et al. D18/13
D. 284,006 5/1986 Freijd D18/13
D. 291,095 7/1987 Morozumi et al. D18/13

FOREIGN PATENT DOCUMENTS

58-45380 3/1983 Japan .

58-46345 4/1983 Japan .
59-27015 2/1984 Japan .
59-28017 2/1984 Japan .

OTHER PUBLICATIONS

Digital's LNO3 Laser Printer; ©1985.
Canon LBP-8II Laser Beam Printer; 1987.
Genicom 5010; Nov. 86.

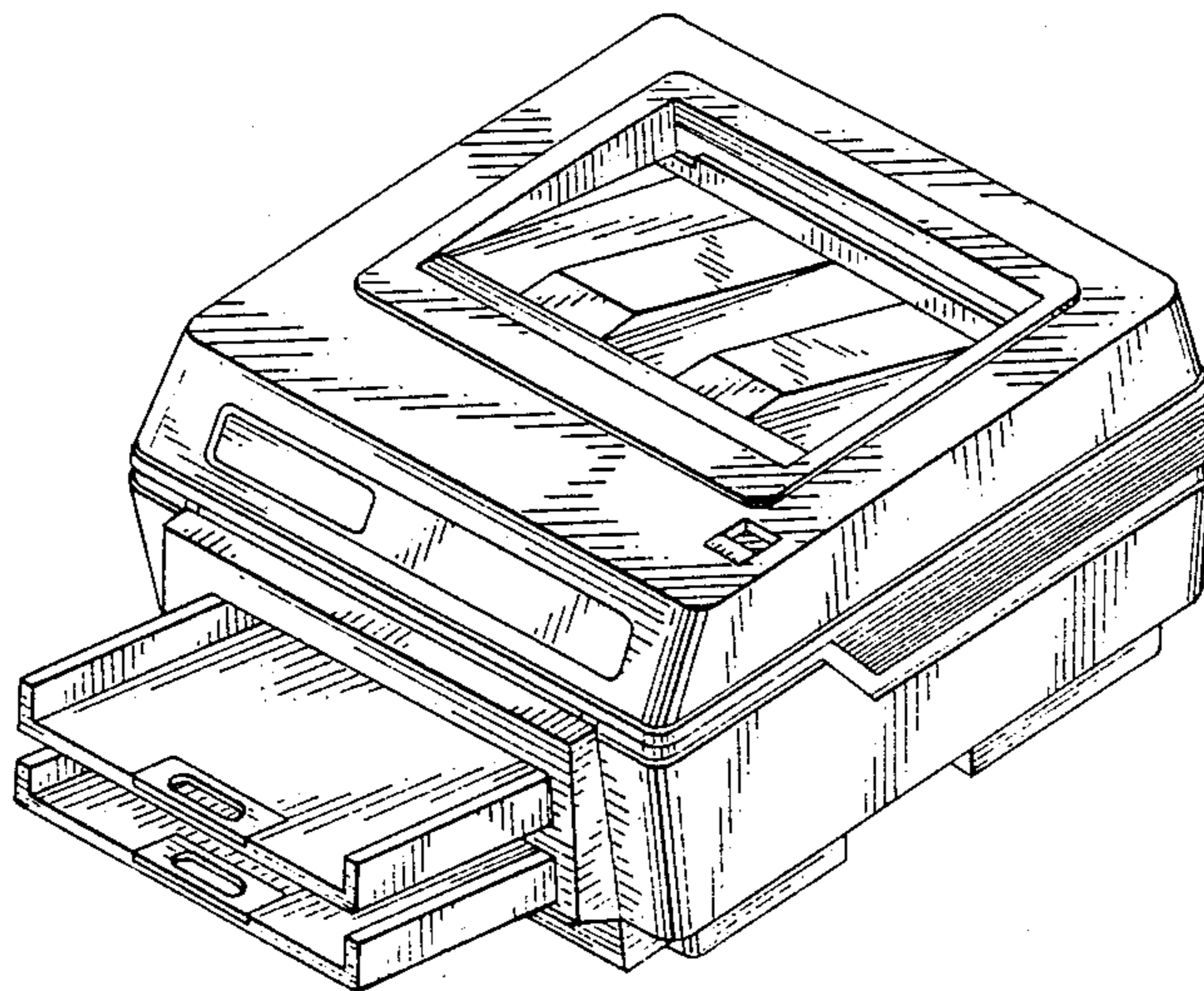
Primary Examiner—James R. Largen
Assistant Examiner—Cathy Anne MacCormac
Attorney, Agent, or Firm—Sughrue, Mion, Zinn, Macpeak & Seas

[57] **CLAIM**

The ornamental design for a computer output printer, as shown and described.

DESCRIPTION

FIG. 1 is a front elevational view of a computer output printer showing our new design;
FIG. 2 is a top plan view thereof;
FIG. 3 is a right side elevational view thereof, the left side being a mirror image thereof;
FIG. 4 is a bottom plan view thereof;
FIG. 5 is a rear elevational view thereof; and
FIG. 6 is a front, top and right side perspective view thereof.



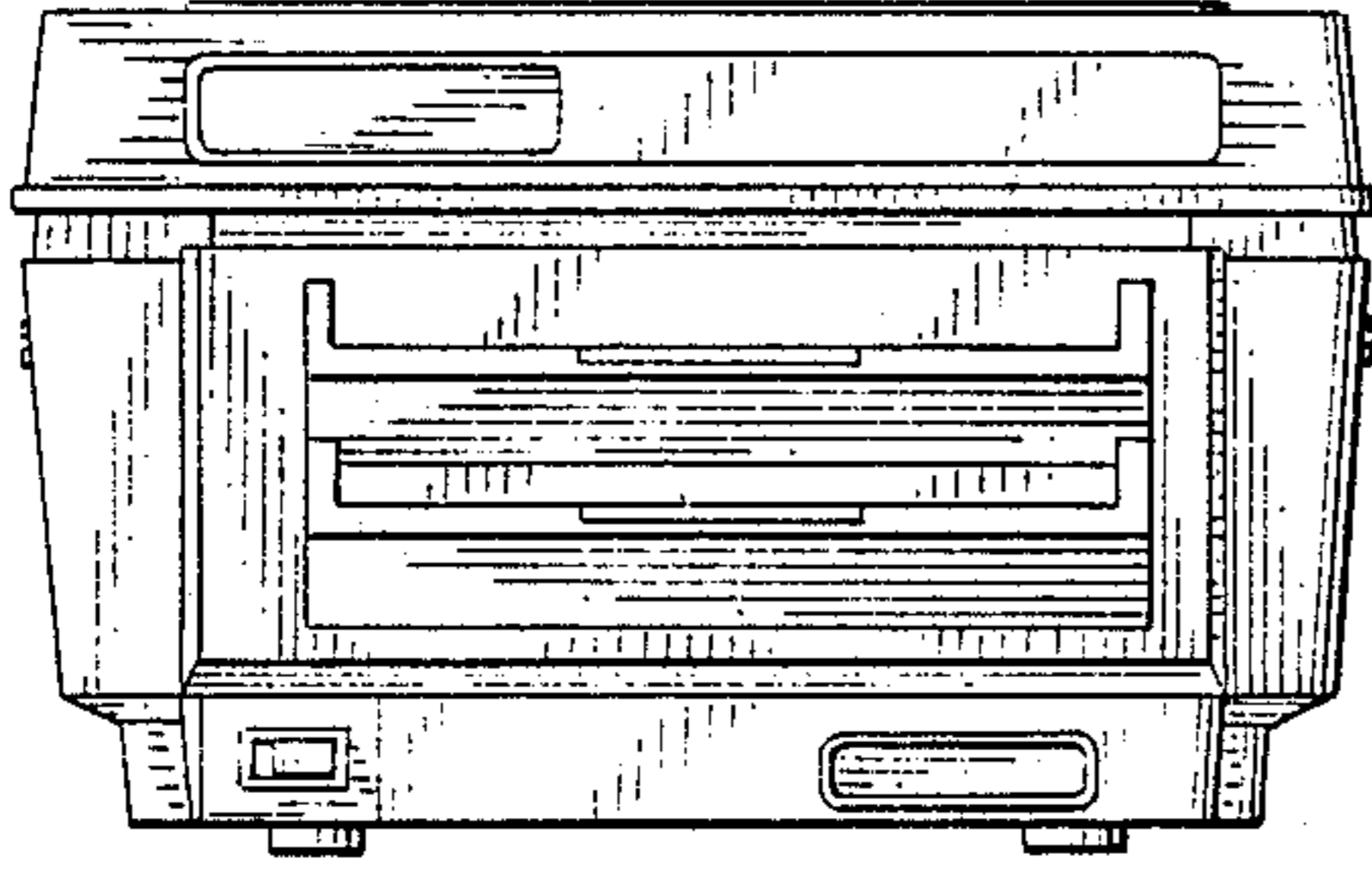


FIG. 1

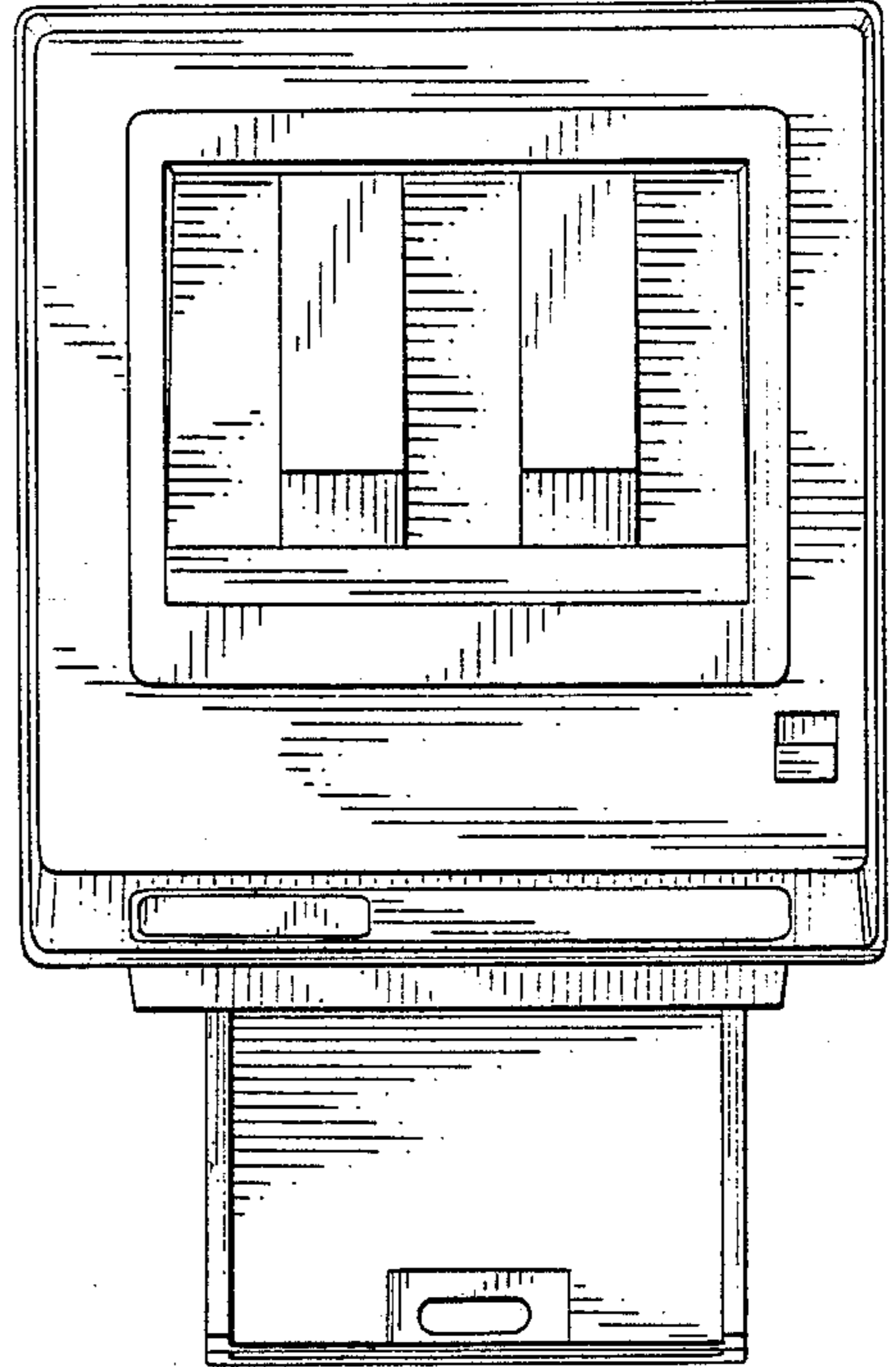


FIG. 2

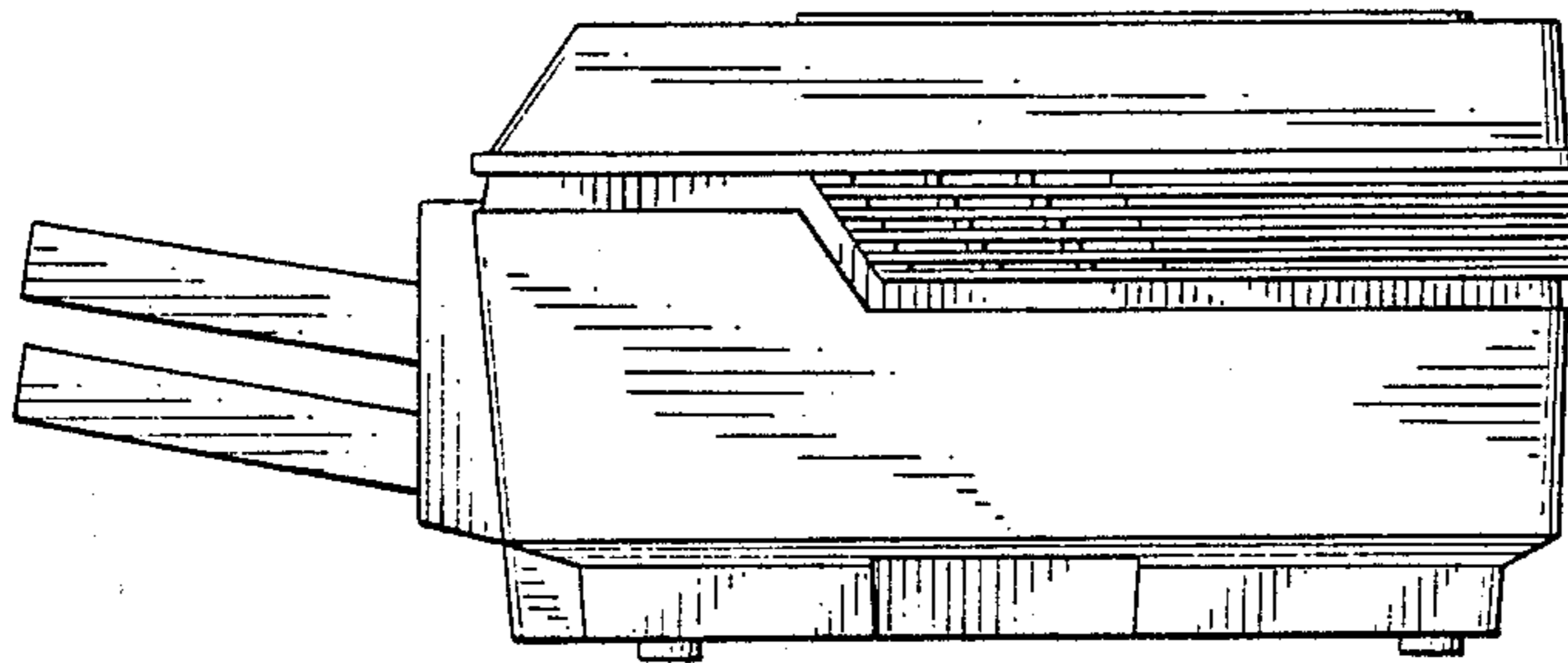


FIG. 3

