

[54] **HEAD FOR A CUTTING TOOL**

[75] **Inventors: Kjell Andersson; Carl-Axel Andersson, both of Fagersta, Sweden**

[73] **Assignee: SECO Tools AB, Fagersta, Sweden**

[\*\*] **Term: 14 Years**

[21] **Appl. No.: 39,375**

[22] **Filed: Apr. 17, 1987**

[30] **Foreign Application Priority Data**

Oct. 31, 1986 [SE] Sweden ..... 86-2538  
[52] **U.S. Cl.** ..... **D15/139; D15/140**  
[58] **Field of Search** ..... 279/11 A, 8, 91;  
408/239 R, 179, 180, 165, 181; 407/40, 47, 33,  
39, 41, 46, 66; 409/232, 234; D15/140, 139

[56] **References Cited**

**U.S. PATENT DOCUMENTS**

3,378,901	4/1968	Dupuis .....	407/41 X
3,512,236	5/1970	Renaud .....	407/41 X
4,006,995	2/1977	Gruner .....	408/181 X
4,325,664	4/1982	Mori .....	409/234
4,478,541	10/1984	Okada et al. ....	408/239 A X

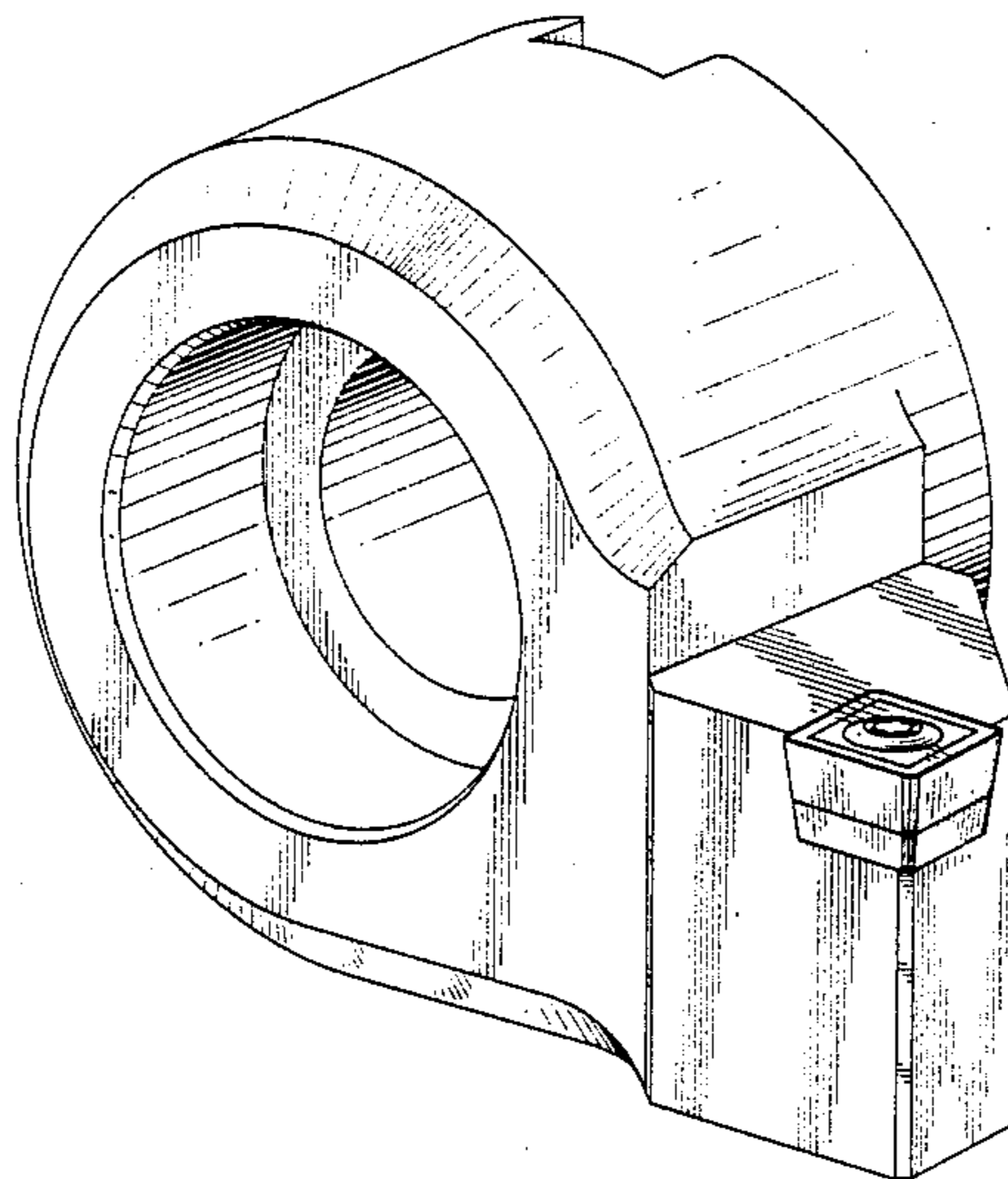
*Primary Examiner*—Bruce W. Dunkins  
*Assistant Examiner*—Jeffrey Asch  
*Attorney, Agent, or Firm*—Burns, Doane, Swecker & Mathis

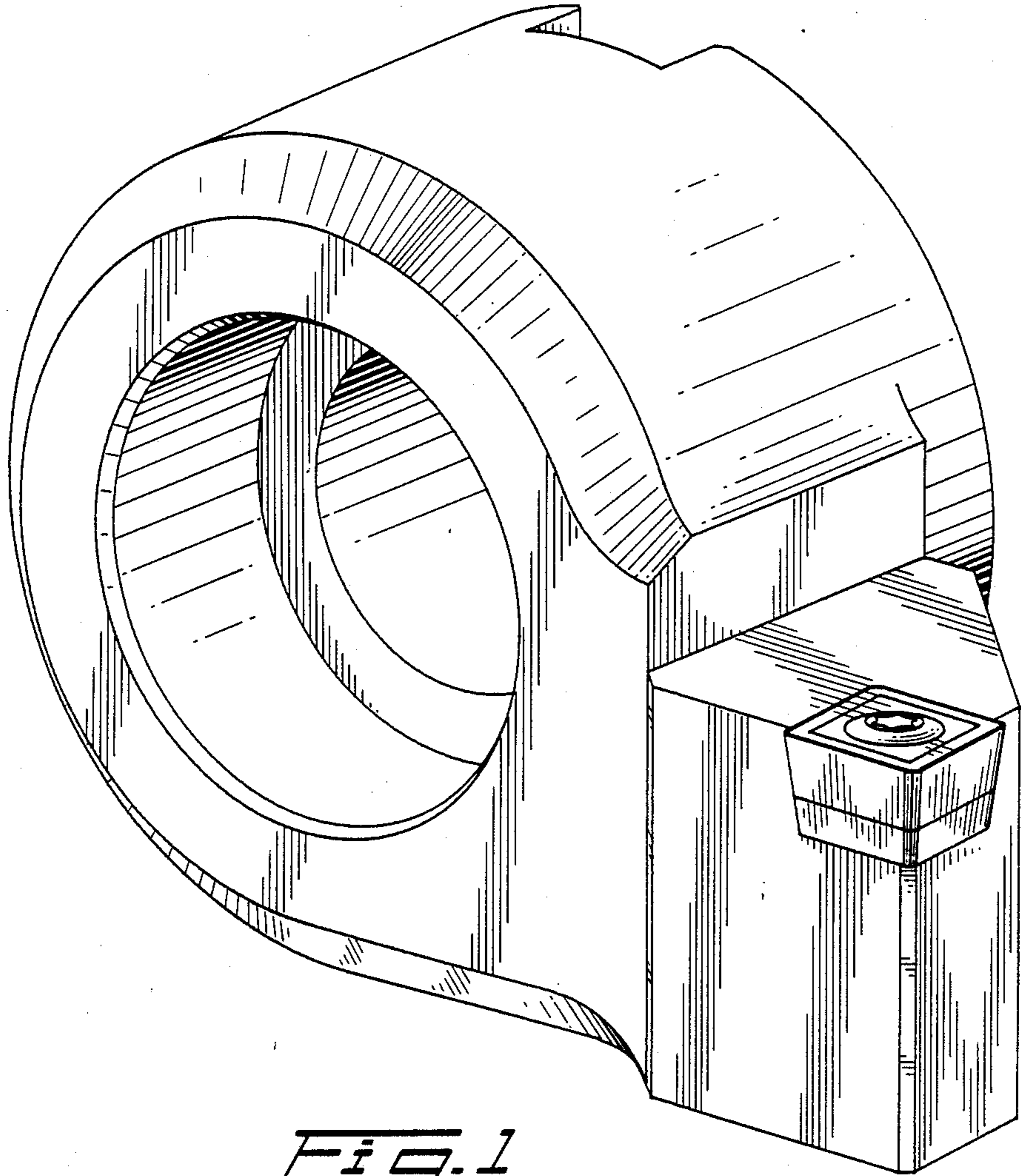
[57] **CLAIM**

The ornamental design for a head for a cutting tool, as shown and described.

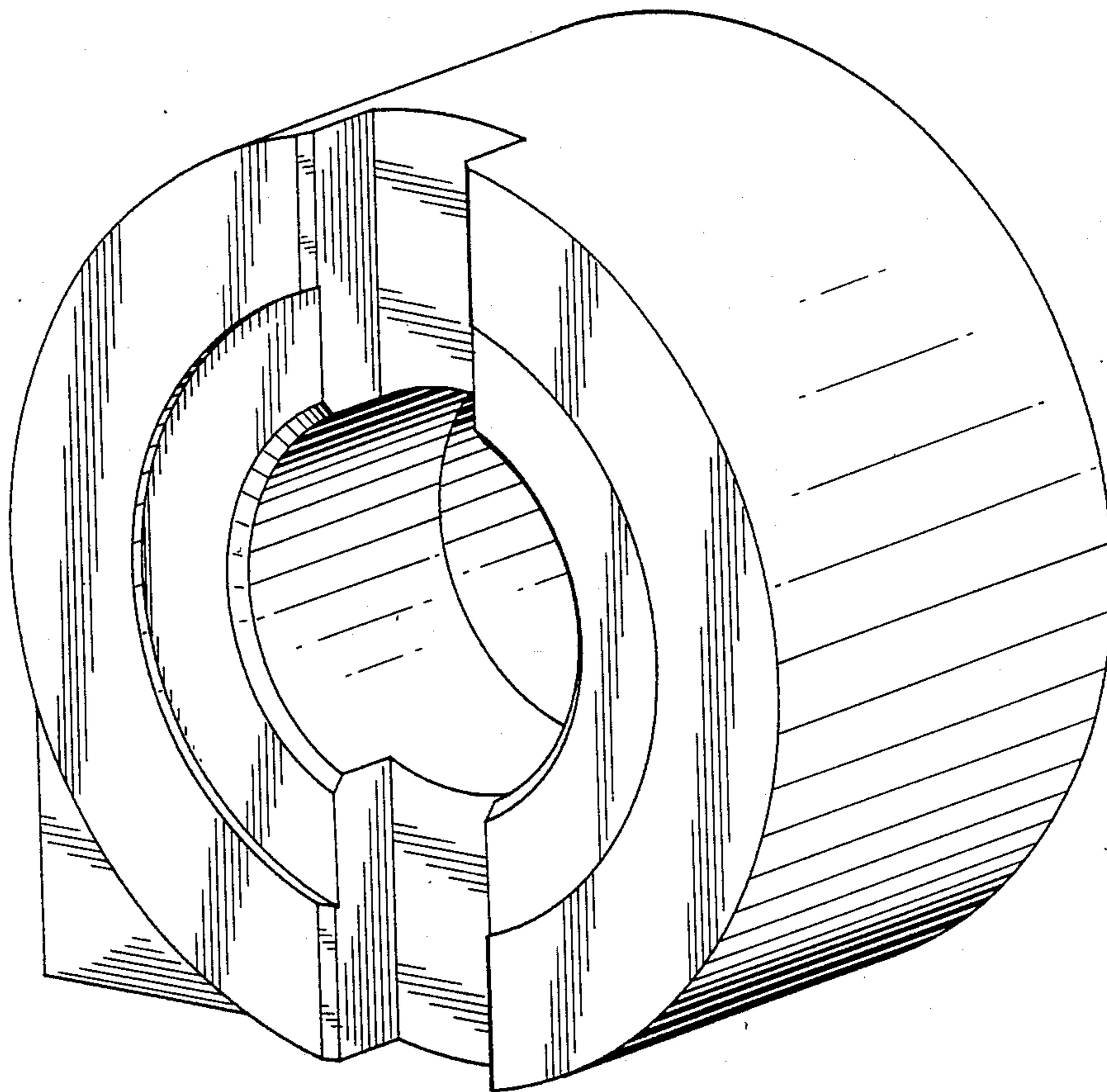
**DESCRIPTION**

FIG. 1 is a right front perspective view of a head for a cutting tool showing our new design; and FIG. 2 is a left rear perspective view thereof. The undisclosed bottom surface of the head for a cutting tool is conventional in appearance.





*Fig. 1*



*FIG. 2*