

[54] PLATE FOR AN EXPANDABLE CONE USED IN BOBBIN SECURING

[76] Inventor: Carmen S. Castillo, C/Miramar  
18-8<sup>o</sup>- 31<sup>a</sup>, 46700 Gandia (Valencia),  
Spain

[\*\*] Term: 14 Years

[21] Appl. No.: 46,311

[22] Filed: May 5, 1987

[30] Foreign Application Priority Data

Nov. 11, 1986 [ES] Spain ..... 111.670

[52] U.S. Cl. .... D15/130; D15/138;  
D15/140

[58] Field of Search ..... D15/138; 28/295;  
242/68 A, 72.1; 279/2 R

[56] References Cited

U.S. PATENT DOCUMENTS

1,527,866	2/1925	Hall .....	279/2 R
1,528,353	3/1925	Waterman .....	279/29
2,609,876	9/1952	Bauer et al. ....	28/295
4,284,251	8/1981	Castillo .....	242/68.4
4,403,721	9/1983	Yamashita .....	242/72.1 X

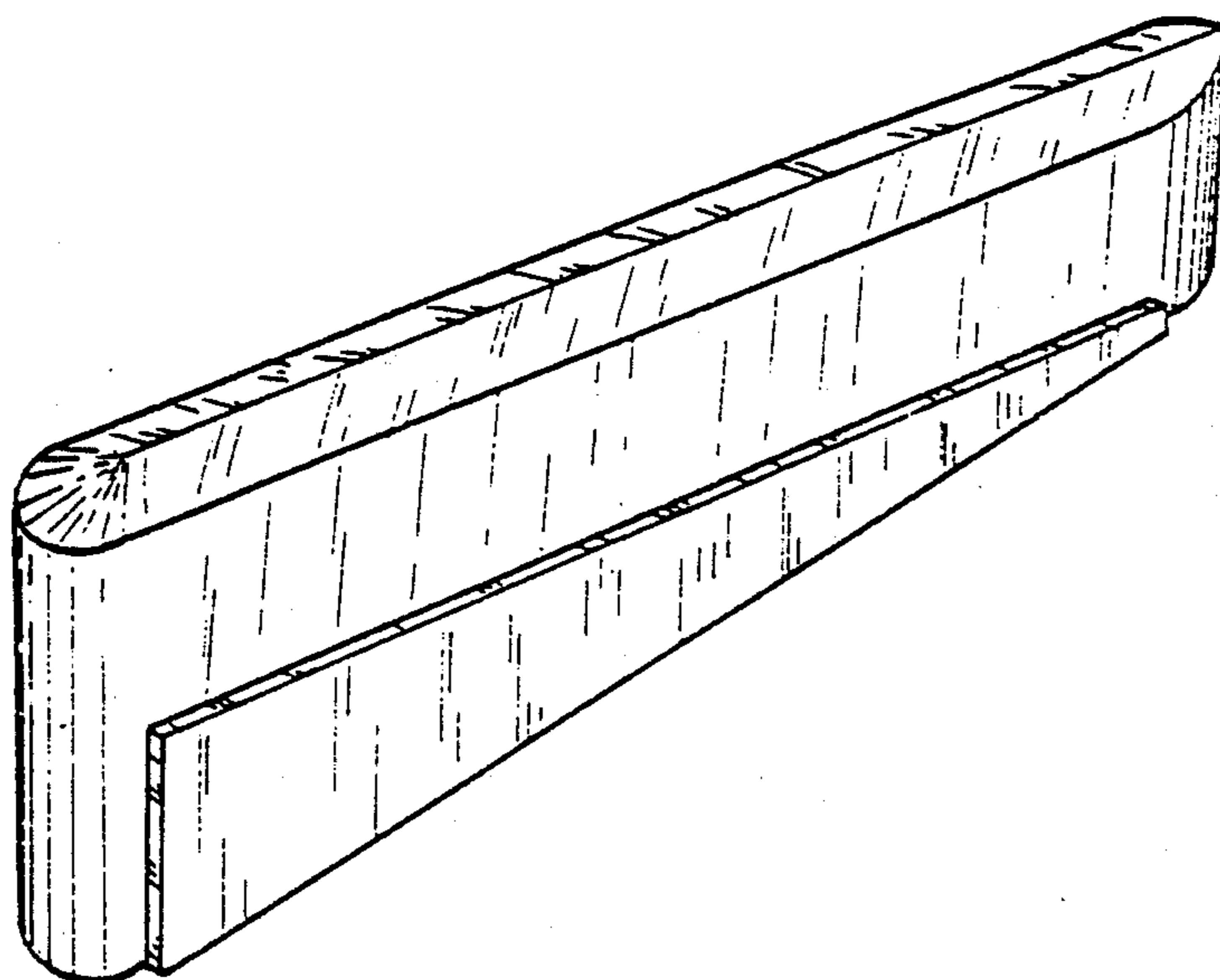
Primary Examiner—Bruce W. Dunkins  
Assistant Examiner—Jeffrey Asch  
Attorney, Agent, or Firm—McGlew & Tuttle

[57] CLAIM

The ornamental design for a plate for an expandable cone used in bobbin securing, as shown and described.

DESCRIPTION

FIG. 1 is a front and right side perspective view of a plate for an expandable cone used in bobbin securing showing my new design;  
FIG. 2 is a top plan view thereof;  
FIG. 3 is a rear elevational view thereof;  
FIG. 4 is a right side elevational view, the left side being a mirror image thereof; and  
FIG. 5 is a bottom plan view thereof.



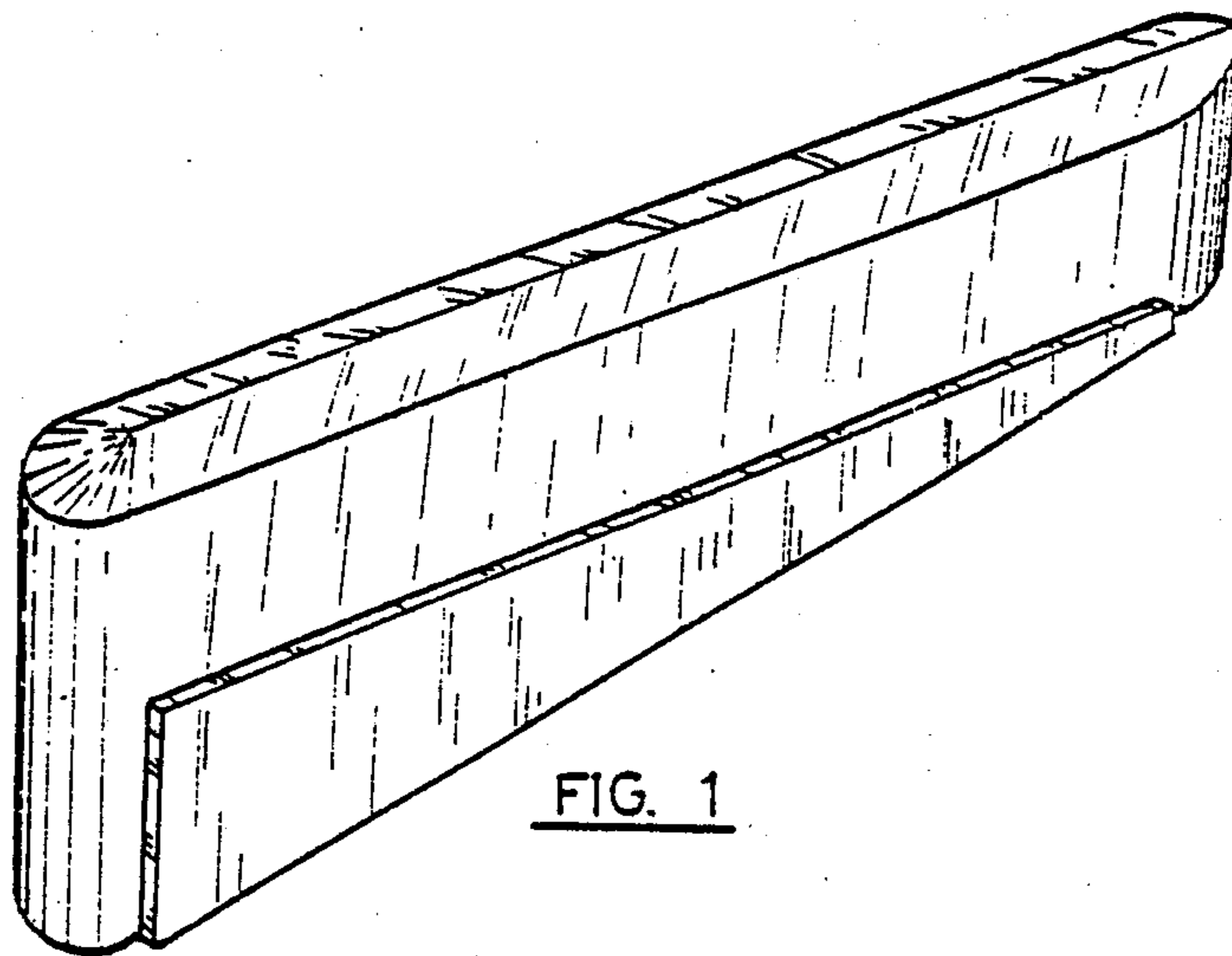


FIG. 1

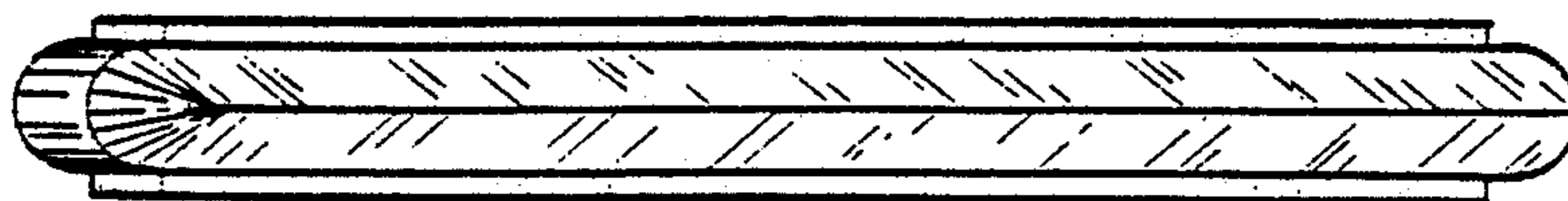


FIG. 2

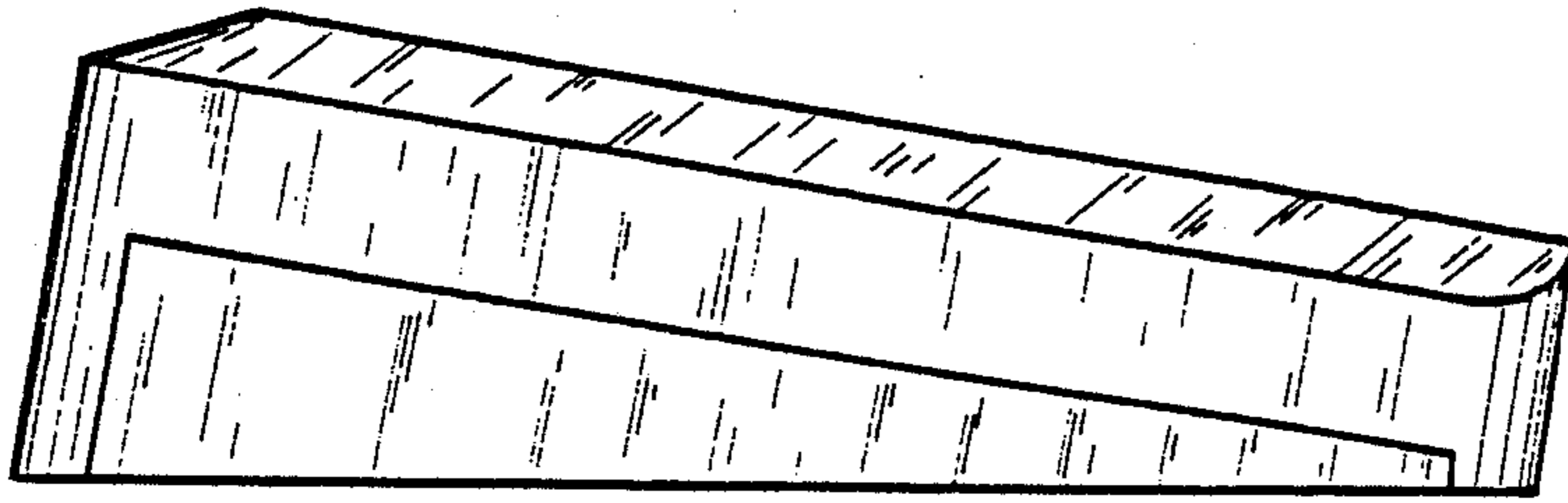


FIG. 4



FIG. 3

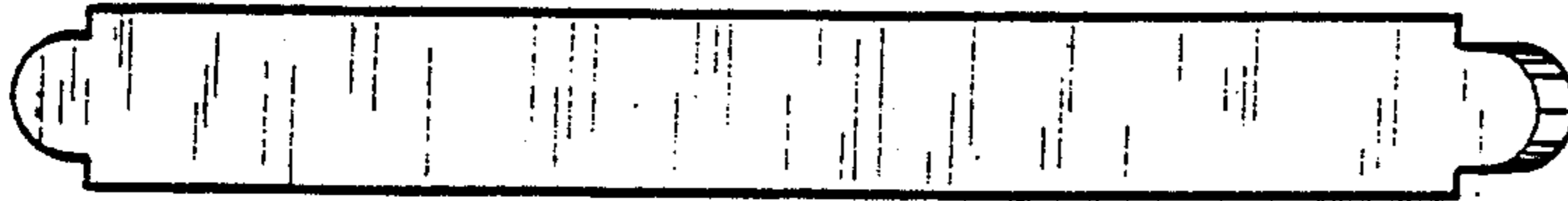


FIG. 5