

[54] SOFT ICE CREAM MAKER

[56]

References Cited

U.S. PATENT DOCUMENTS

[75] Inventors: John W. Spirk, Moreland Hills; John R. Nottingham, Moreland Hills; Jeffrey M. Kalman, Cleveland Heights, all of Ohio

D. 293,448	12/1987	Uesaka	D15/82
1,791,041	2/1931	Sawyer	D15/82
3,780,536	12/1973	Fishman et al.	62/342
4,741,174	5/1988	Uesaka	62/342

[73] Assignee: G&S Metal Products Company, Cleveland, Ohio

Primary Examiner—B. J. Bullock
Assistant Examiner—Sandra Morris
Attorney, Agent, or Firm—Pearne, Gordon, McCoy & Granger

[**] Term: 14 Years

[57] CLAIM

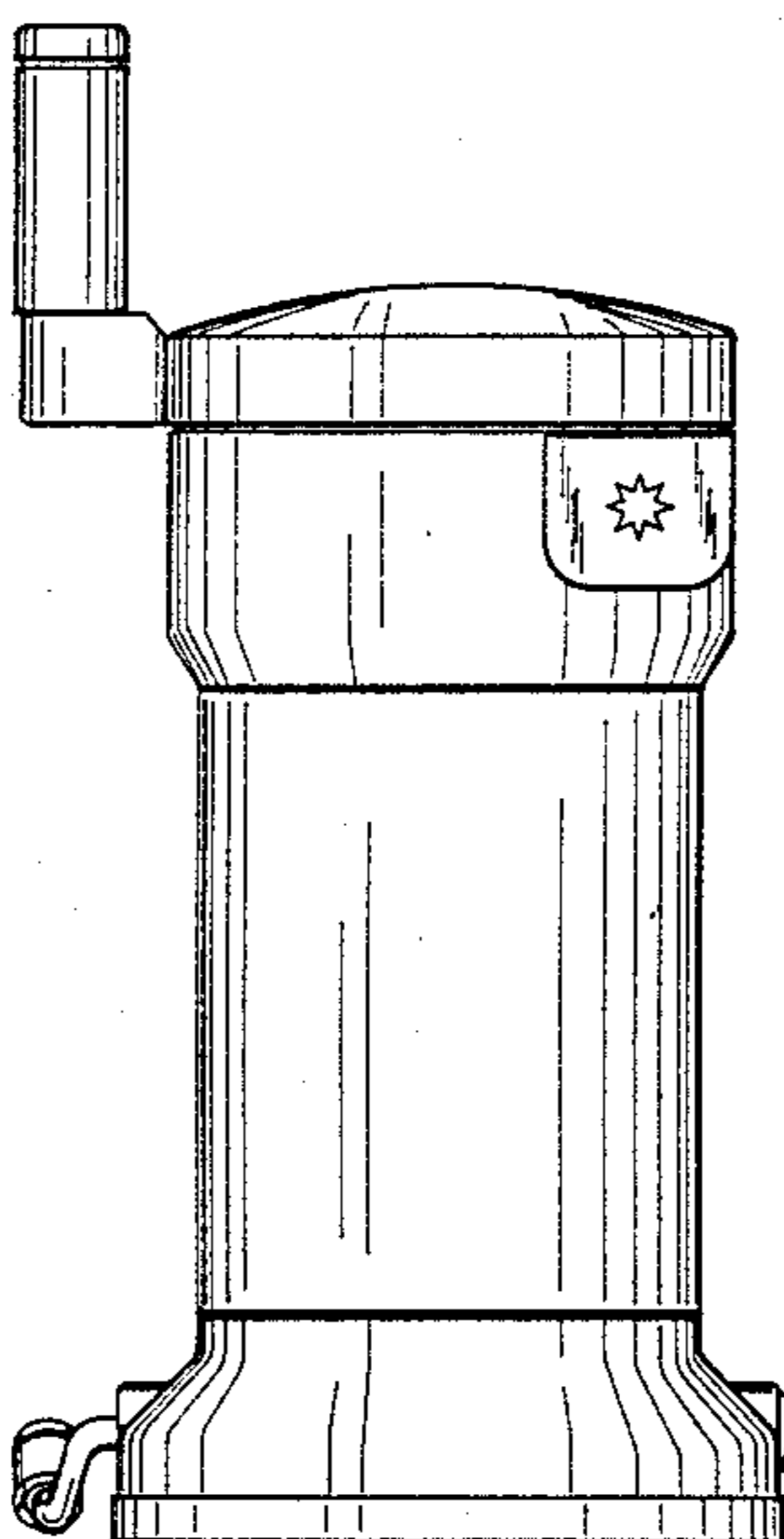
The ornamental design for a soft ice cream maker, as shown and described.

[21] Appl. No.: 34,054

DESCRIPTION

[22] Filed: Apr. 3, 1987
[52] U.S. Cl. D15/82; D7/376
[58] Field of Search D15/79, 81, 82; D7/305, D7/306, 374, 376; 62/340, 342, 343, 344, 371; 366/244

FIG. 1 is a front view of a soft ice cream maker, showing our new design;
FIG. 2 is a right side view thereof;
FIG. 3 is a rear view thereof;
FIG. 4 is a left side view thereof.
FIG. 5 is a top view thereof;
FIG. 6 is a bottom view thereof.



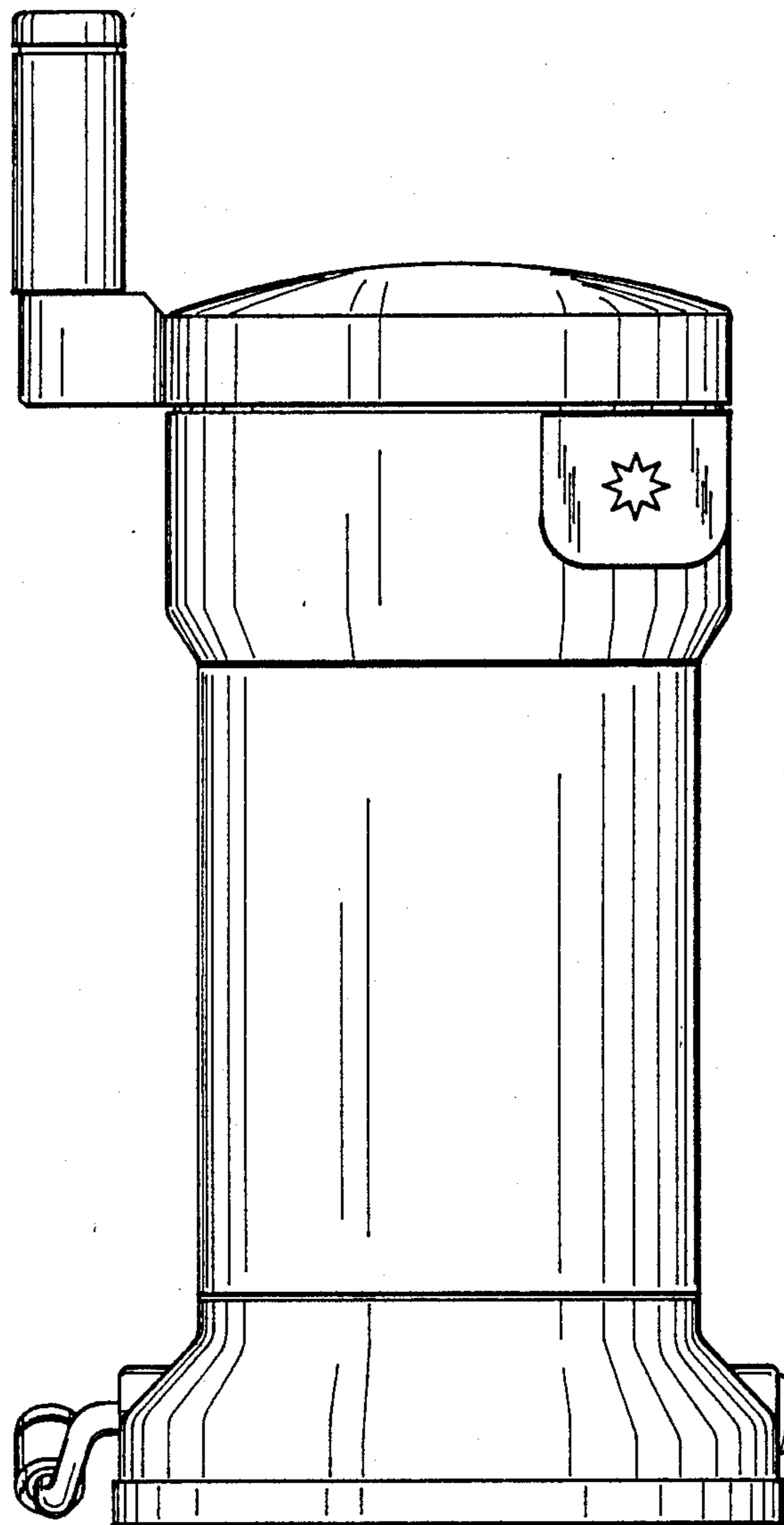


FIG. 1

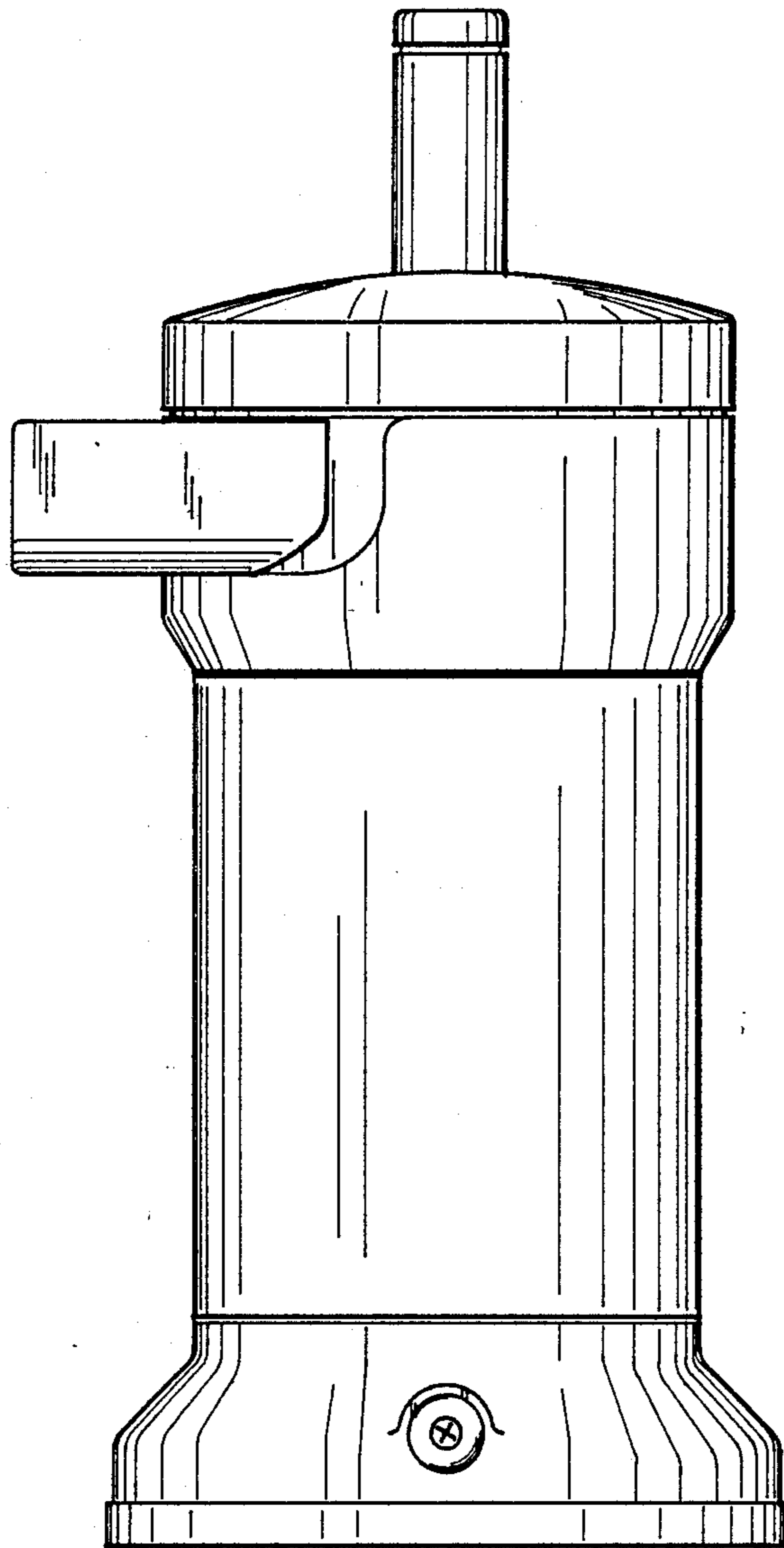


FIG. 2

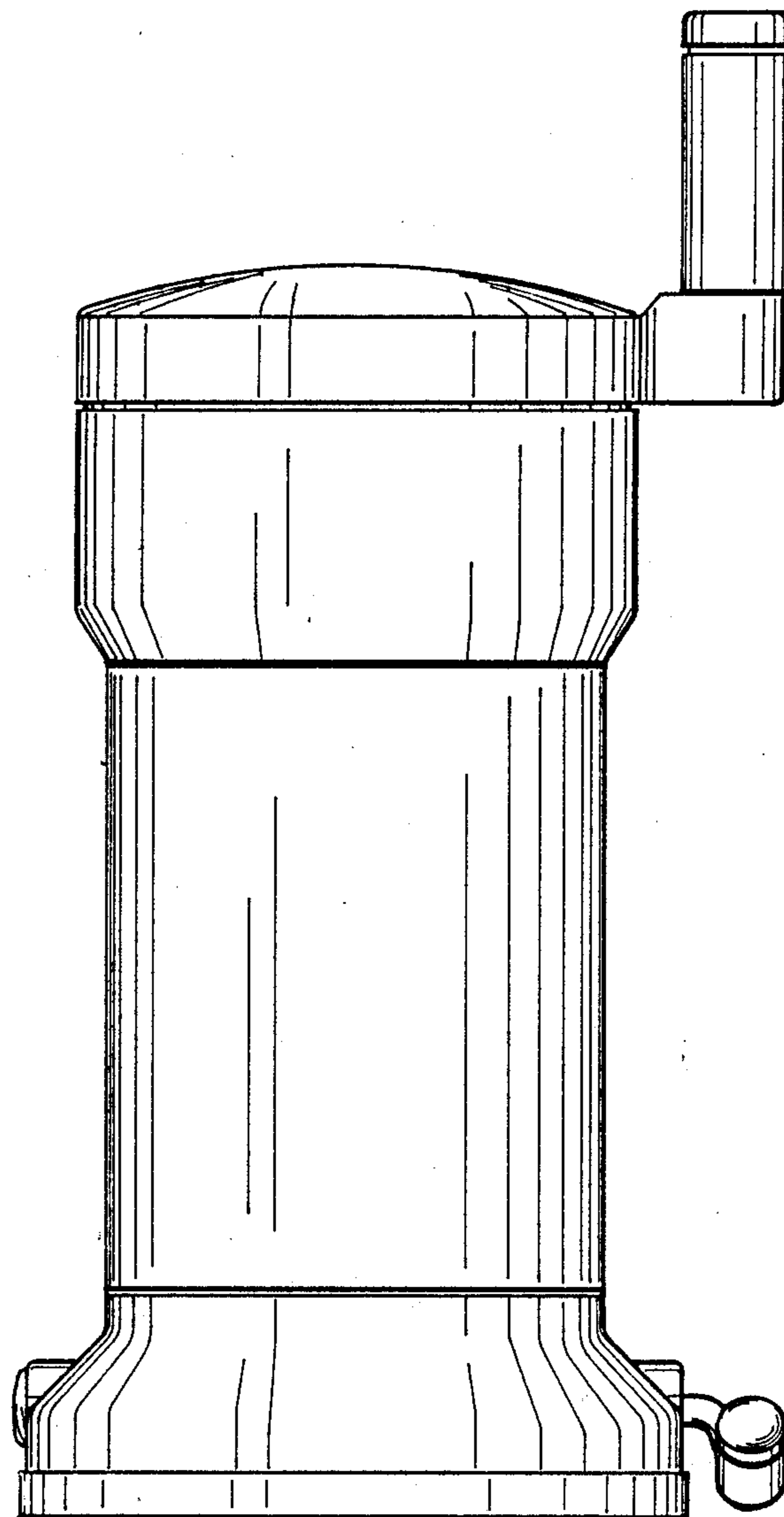


FIG. 3

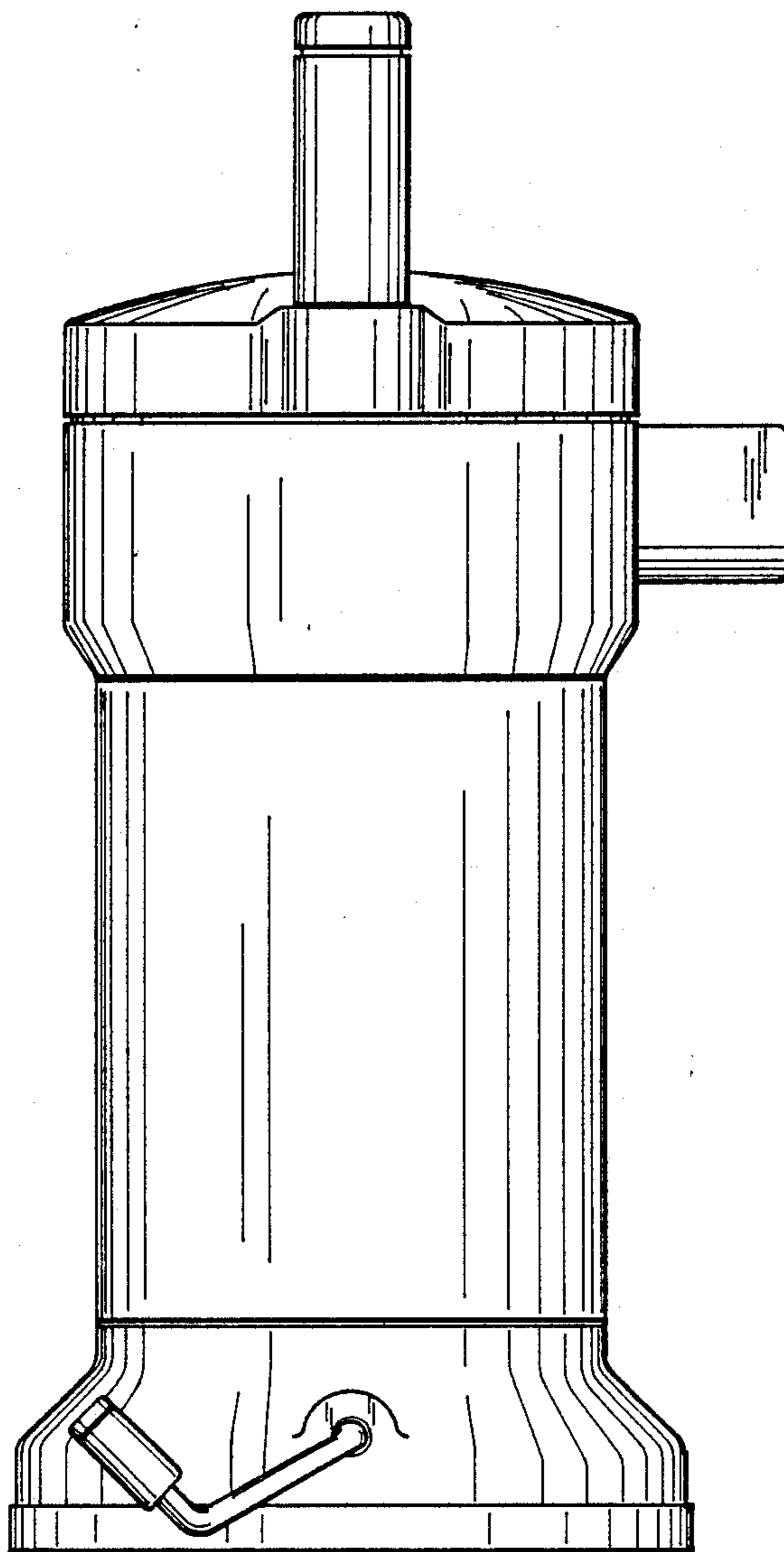


FIG. 4

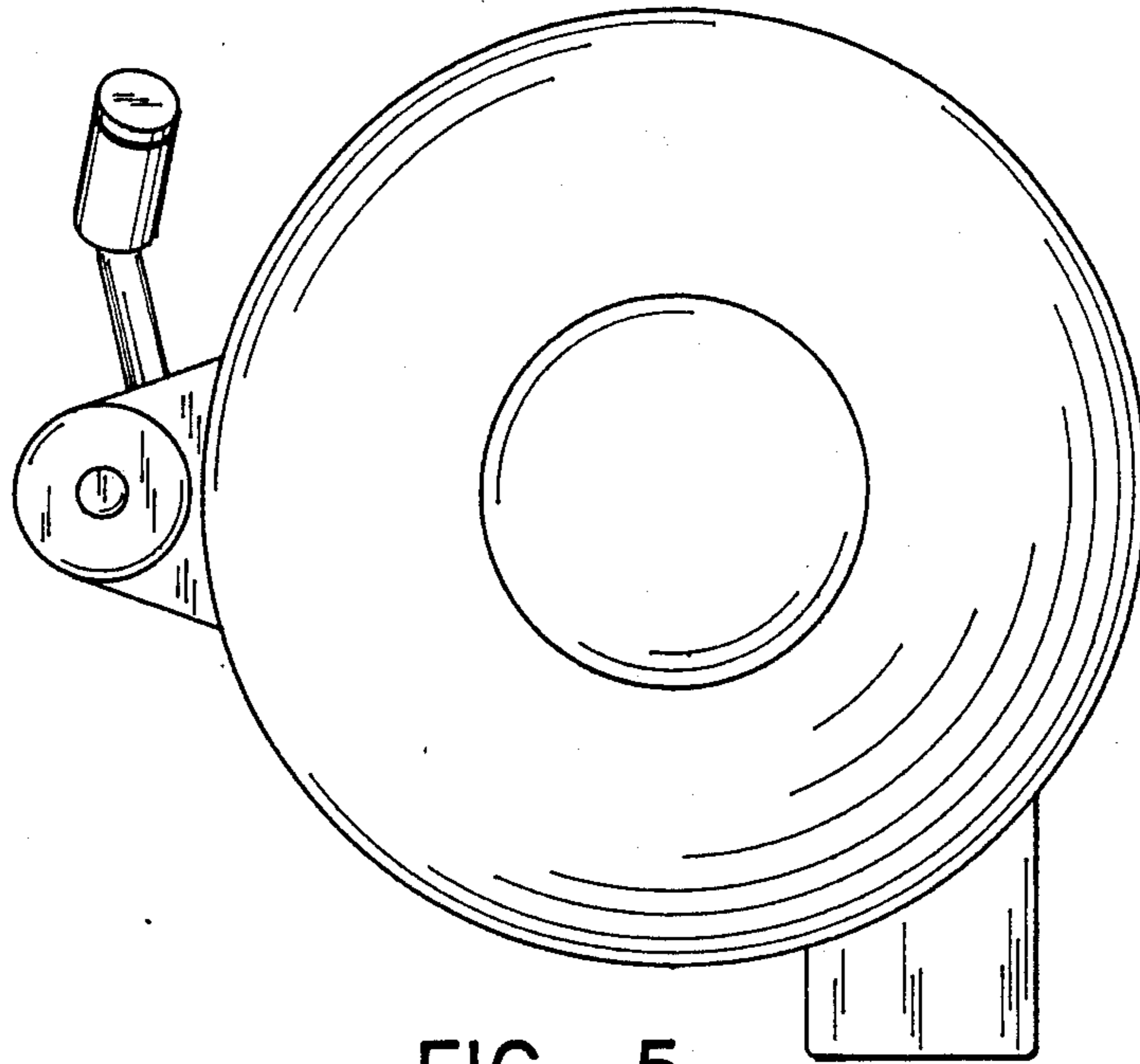


FIG. 5

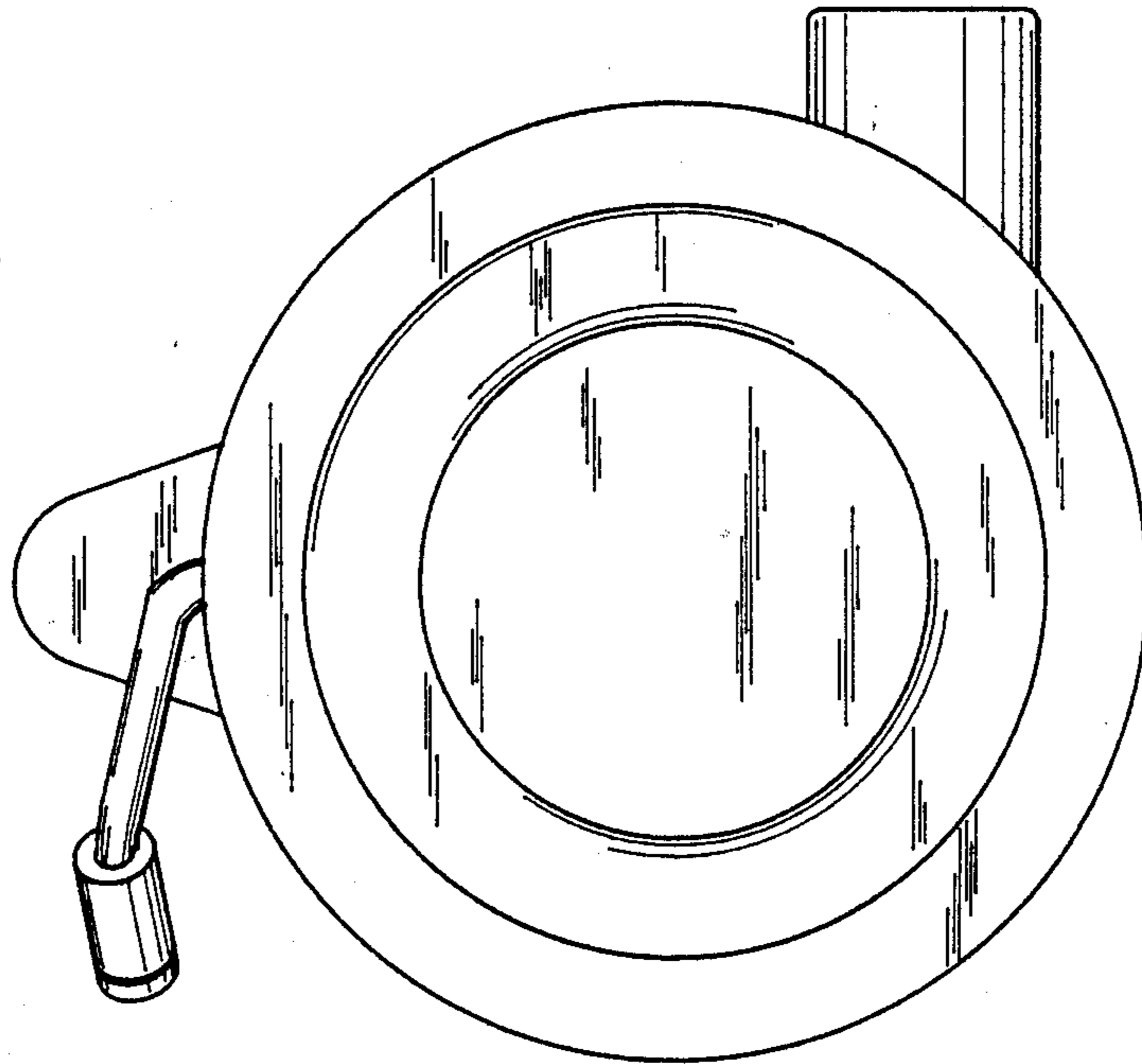


FIG. 6