

[54] EARTH WORKING PICK FOR GRADERS OR THE LIKE

[76] Inventor: Thomas A. Meyers, P.O. Box 988, Mackay, Queensland 4740, Australia

[**] Term: 14 Years

[21] Appl. No.: 97,463

[22] Filed: Sep. 15, 1987

[52] U.S. Cl. D15/29; D15/28

[58] Field of Search D15/28, 29; 37/108 R, 37/141 T, 142 R, 117.5; 172/777

[56] References Cited

U.S. PATENT DOCUMENTS

D. 237,096 10/1975 Holland D15/29

3,079,710 3/1963 Larsen et al. 37/142 R
3,540,778 11/1970 Bennett 172/777
4,753,299 6/1988 Meyers 172/777

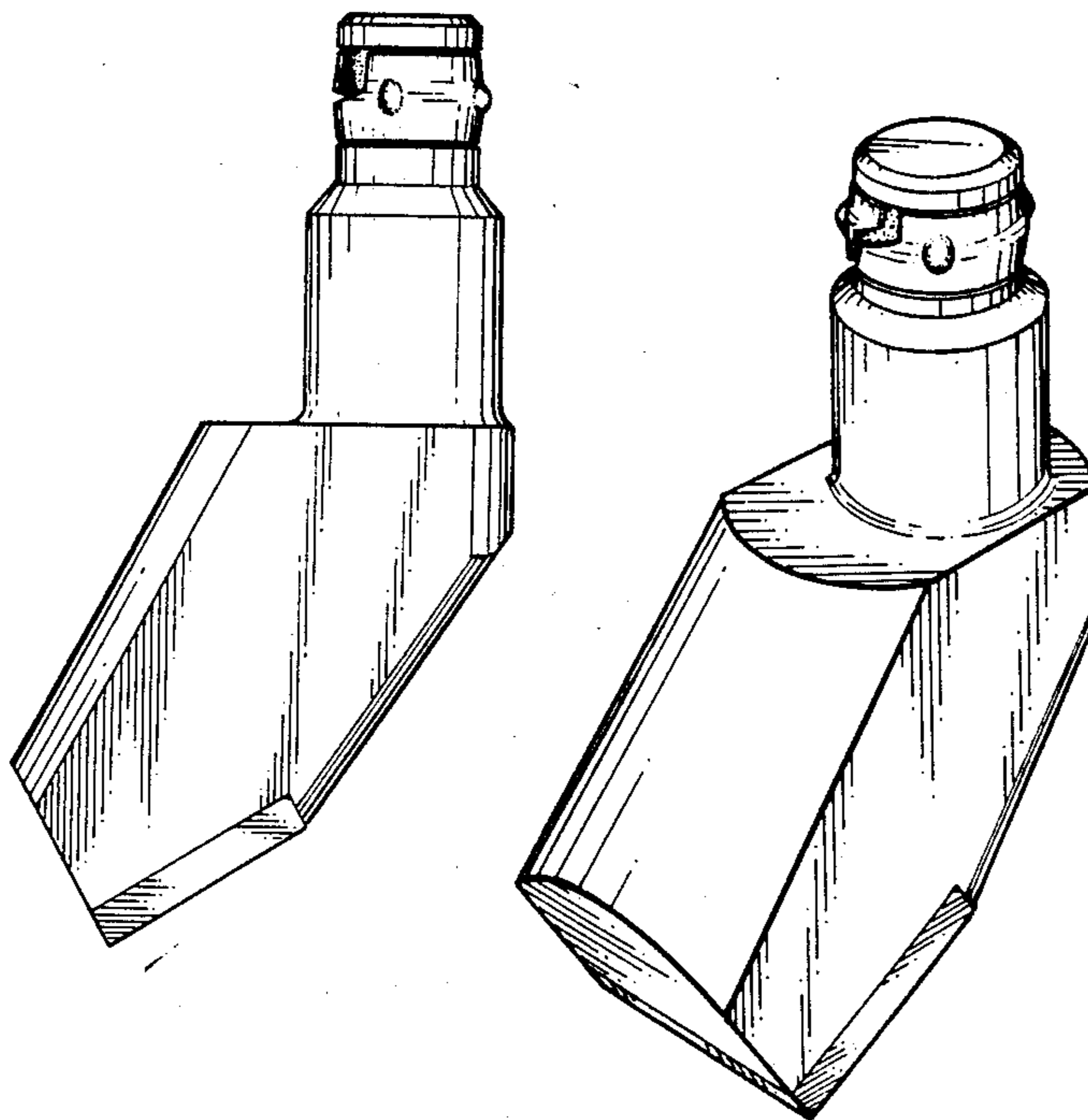
Primary Examiner—B. J. Bullock
Assistant Examiner—Sandra Morris
Attorney, Agent, or Firm—Sughrue, Mion, Zinn, Macpeak & Seas

[57] CLAIM

The ornamental design for an earth working pick for graders or the like, as shown.

DESCRIPTION

FIG. 1 is a rear elevational view of an earth working pick for graders or the like, showing my new design; FIG. 2 is a side elevational view thereof; FIG. 3 is a front elevational view thereof; FIG. 4 is a front perspective view thereof; and FIG. 5 is a rear perspective view thereof.



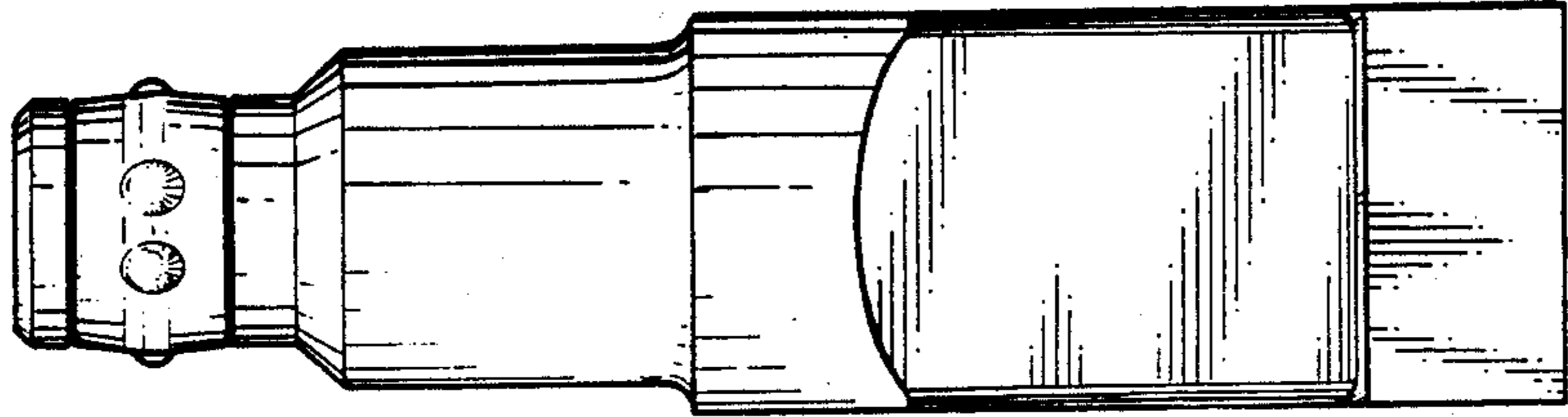


FIG. 3

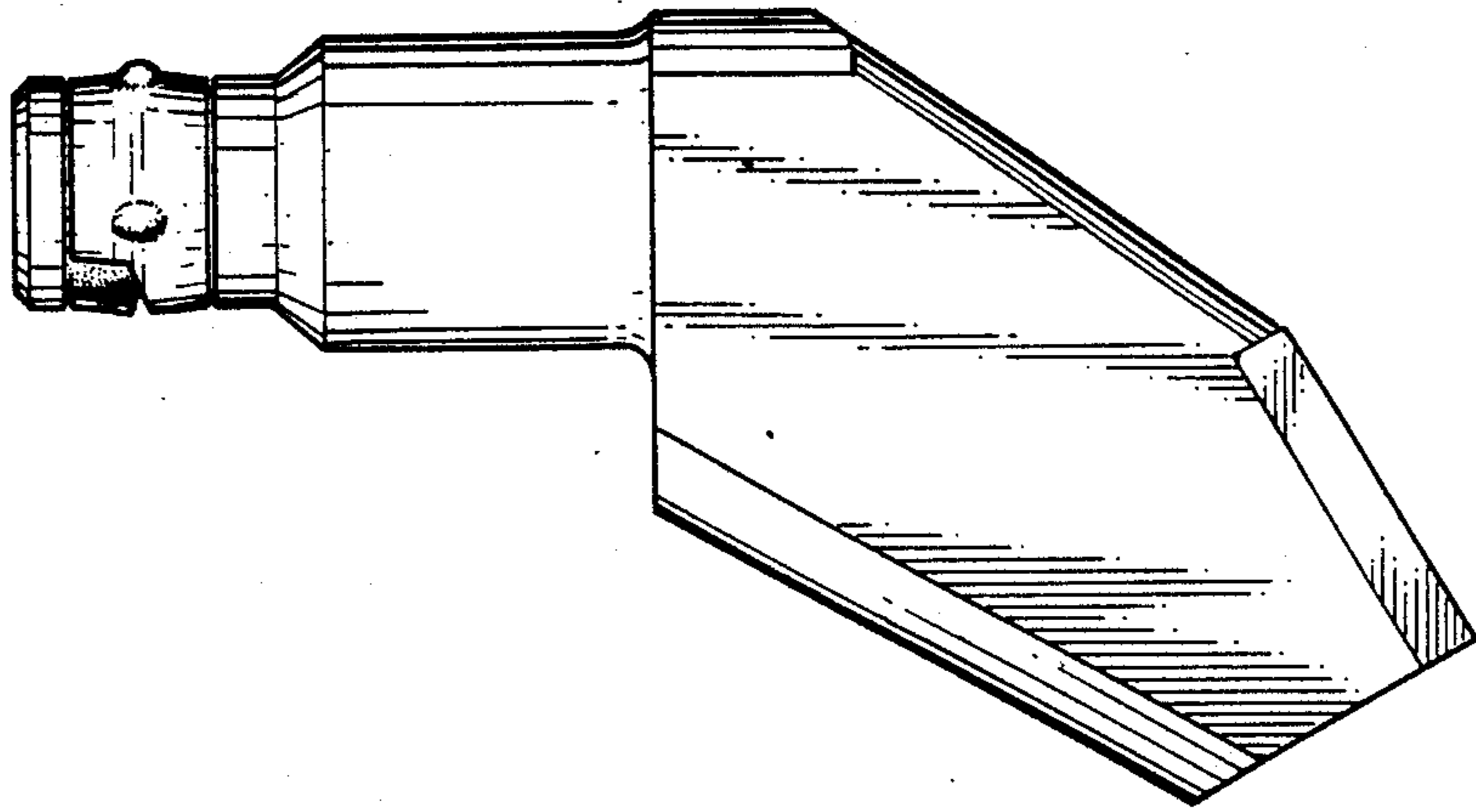


FIG. 2

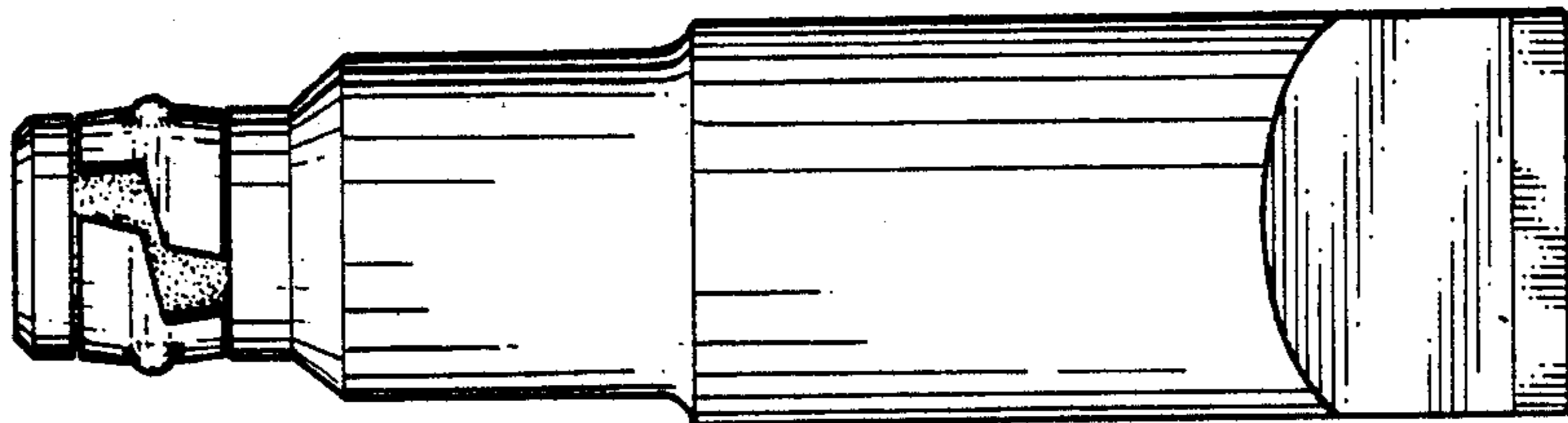


FIG. 1

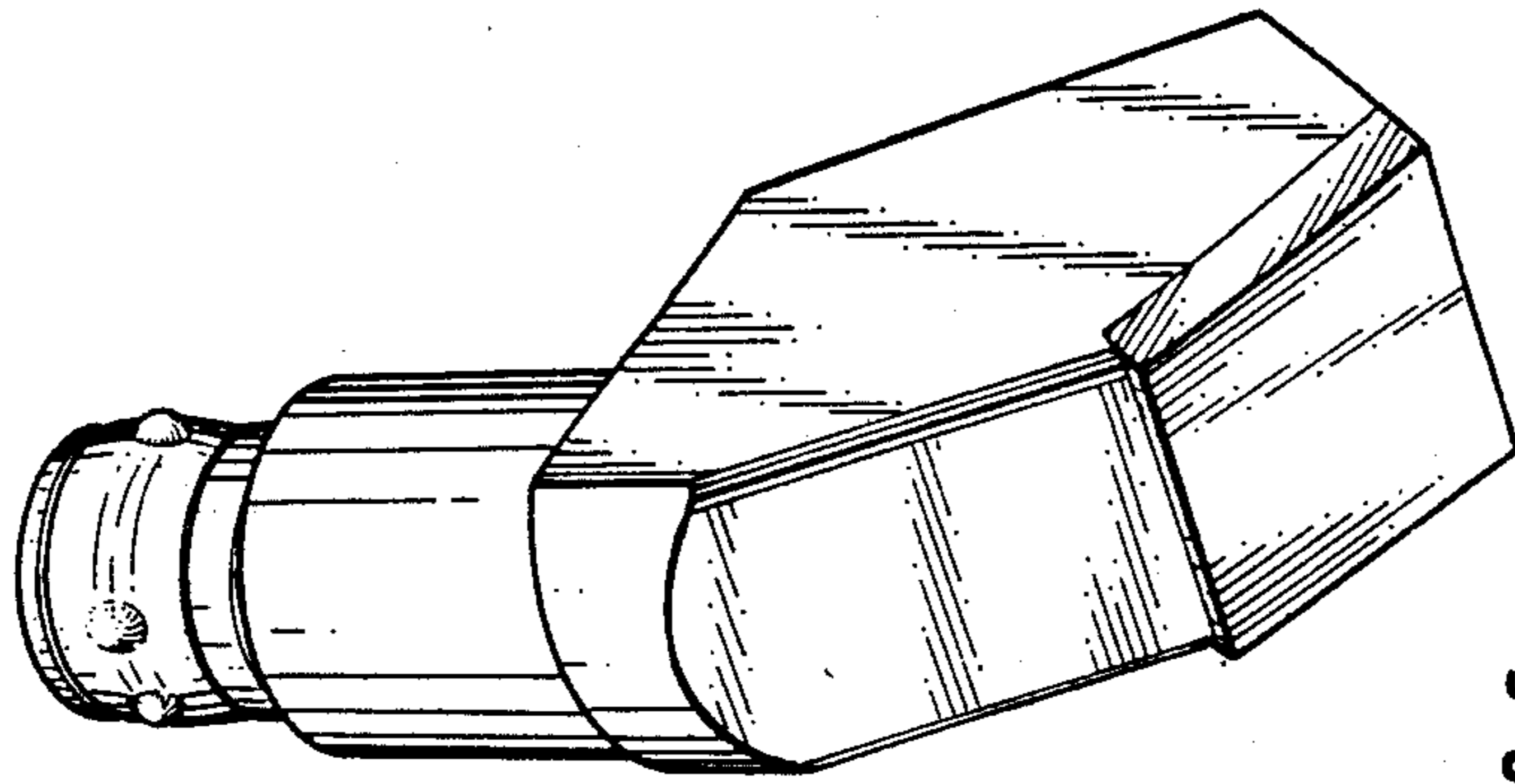


FIG. 5

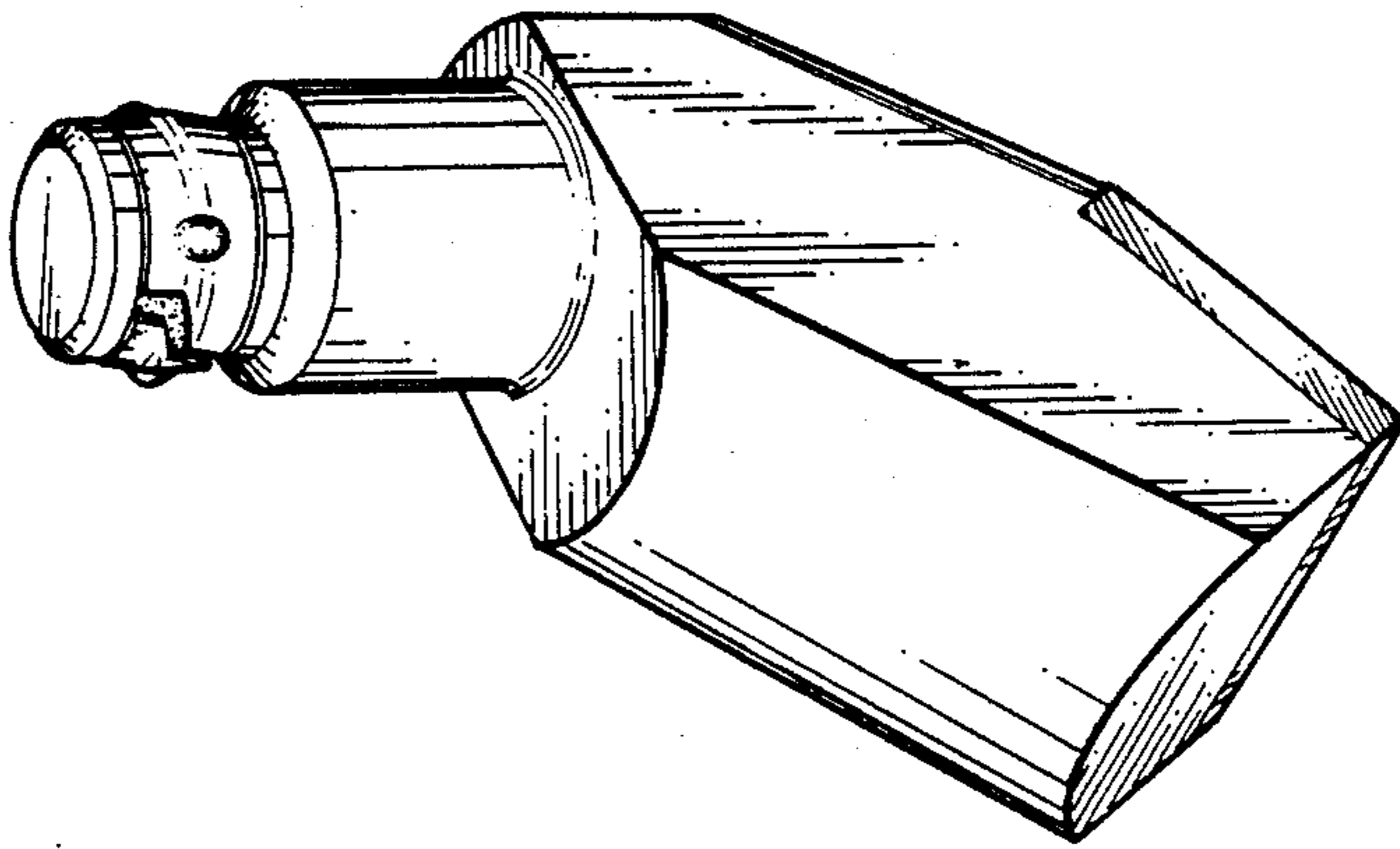


FIG. 4