

[54] GUARD FOR THE CUTTER WHEEL OF A STUMP REMOVER

4,709,736 12/1987 Bellars ..... 144/2 N

[75] Inventor: Alan J. Yoder, Oskaloosa, Iowa

Primary Examiner—B. J. Bullock  
Assistant Examiner—Sandra Morris  
Attorney, Agent, or Firm—Rudolph L. Lowell

[73] Assignee: Vermeer Manufacturing Co., Pella, Iowa

[57] CLAIM

[\*\*] Term: 14 Years

The ornamental design for a guard for the cutter wheel of a stump remover, as shown and described.

[21] Appl. No.: 215,895

DESCRIPTION

[22] Filed: Jul. 5, 1988

[52] U.S. Cl. .... D15/28

[58] Field of Search ..... D15/28; 37/2 R;  
144/2 N, 251 A, 251 R

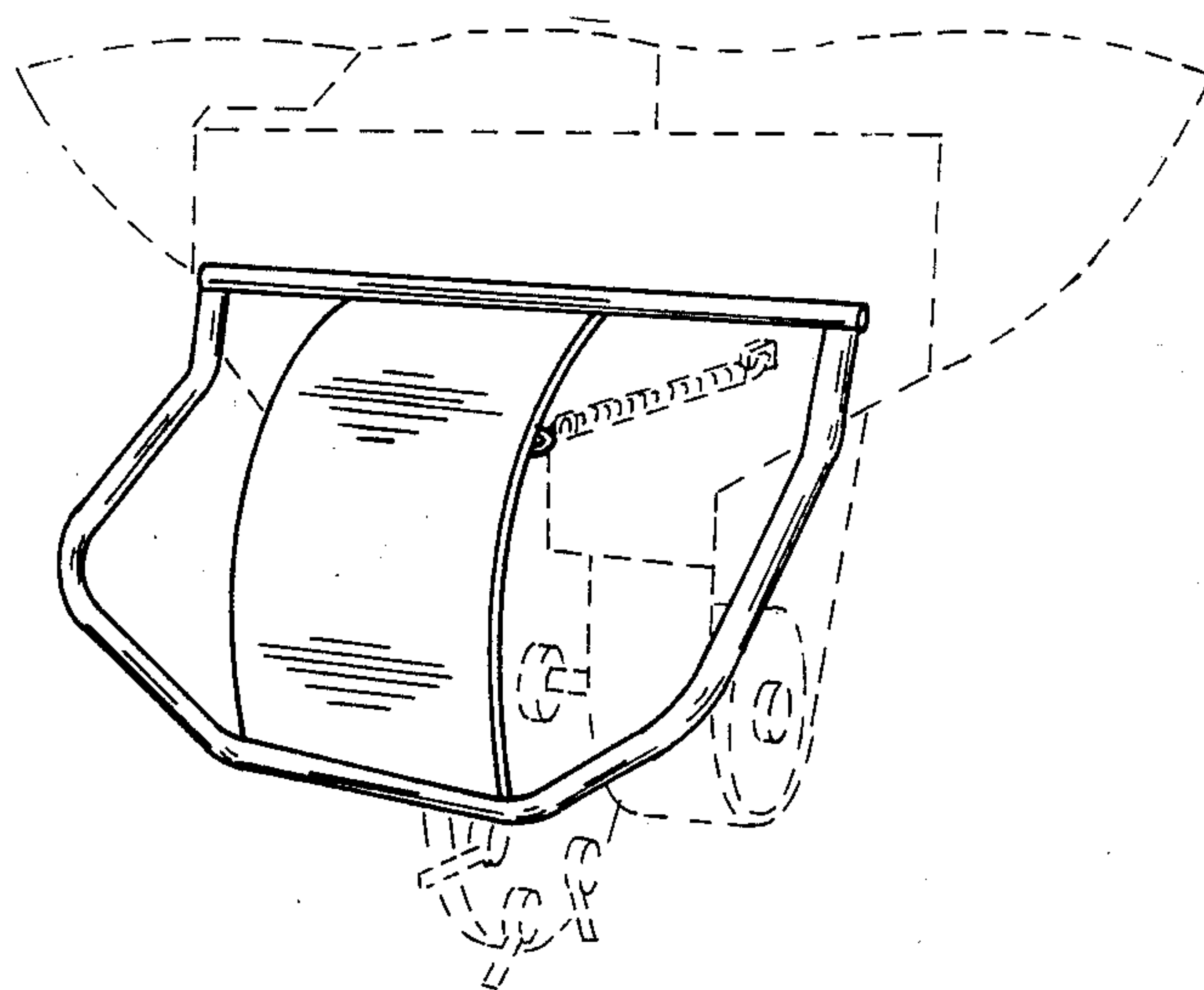
FIG. 1 is a front perspective view of a guard for the cutter wheel of a stump remover showing my new design, the broken line showing of the stump remover and its cutter wheel being shown in broken lines for illustrative purposes only;

[56] References Cited

U.S. PATENT DOCUMENTS

D. 201,981 8/1965 Sutherland ..... D15/28  
782,392 2/1905 Harris ..... 144/251 A

FIG. 2 is an enlarged left side elevational view thereof;  
FIG. 3 is an enlarged rear elevational view thereof;  
FIG. 4 is an enlarged front elevational view thereof;  
FIG. 5 is an enlarged top plan view thereof;  
FIG. 6 is an enlarged bottom plan view thereof.



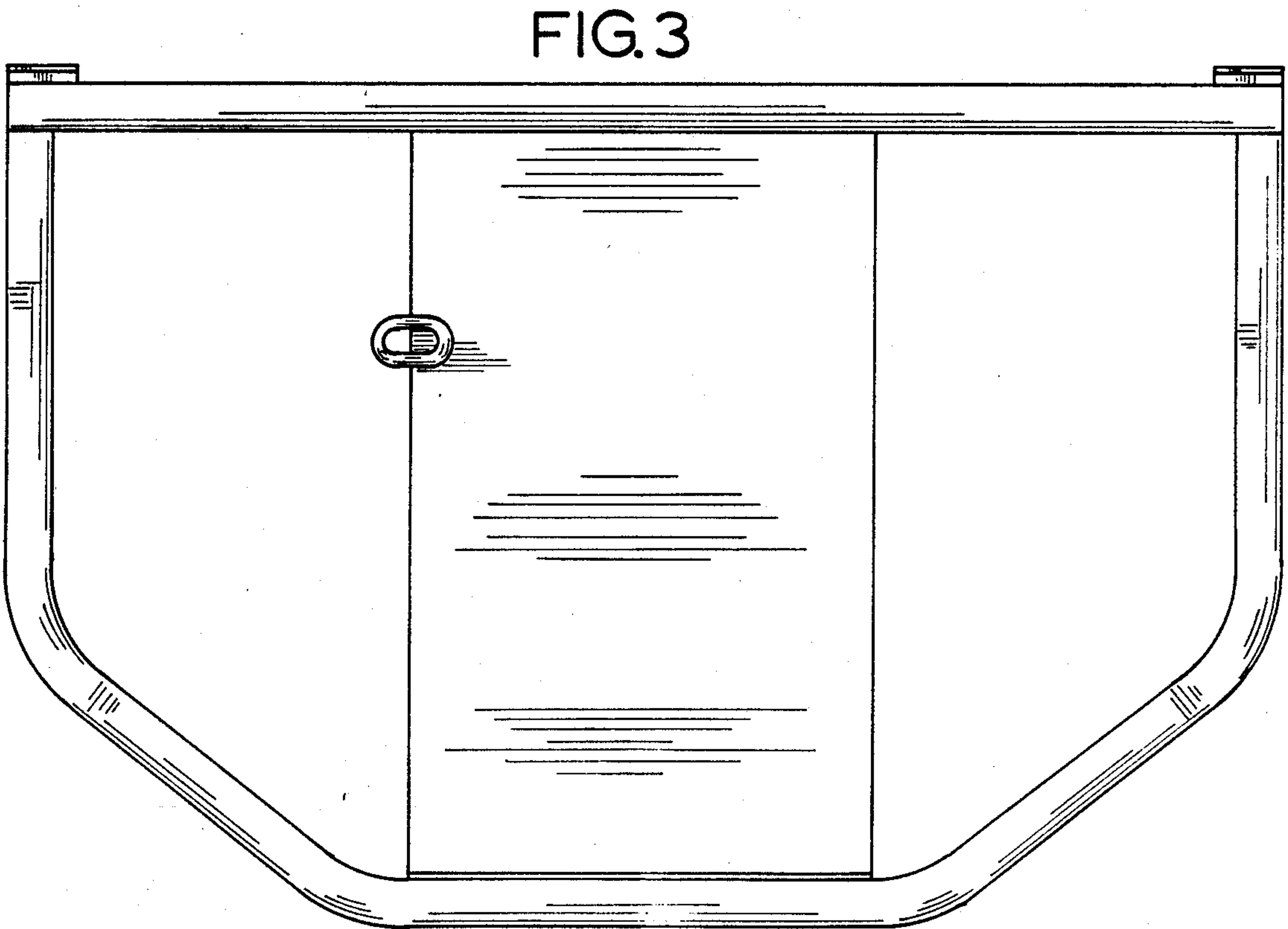
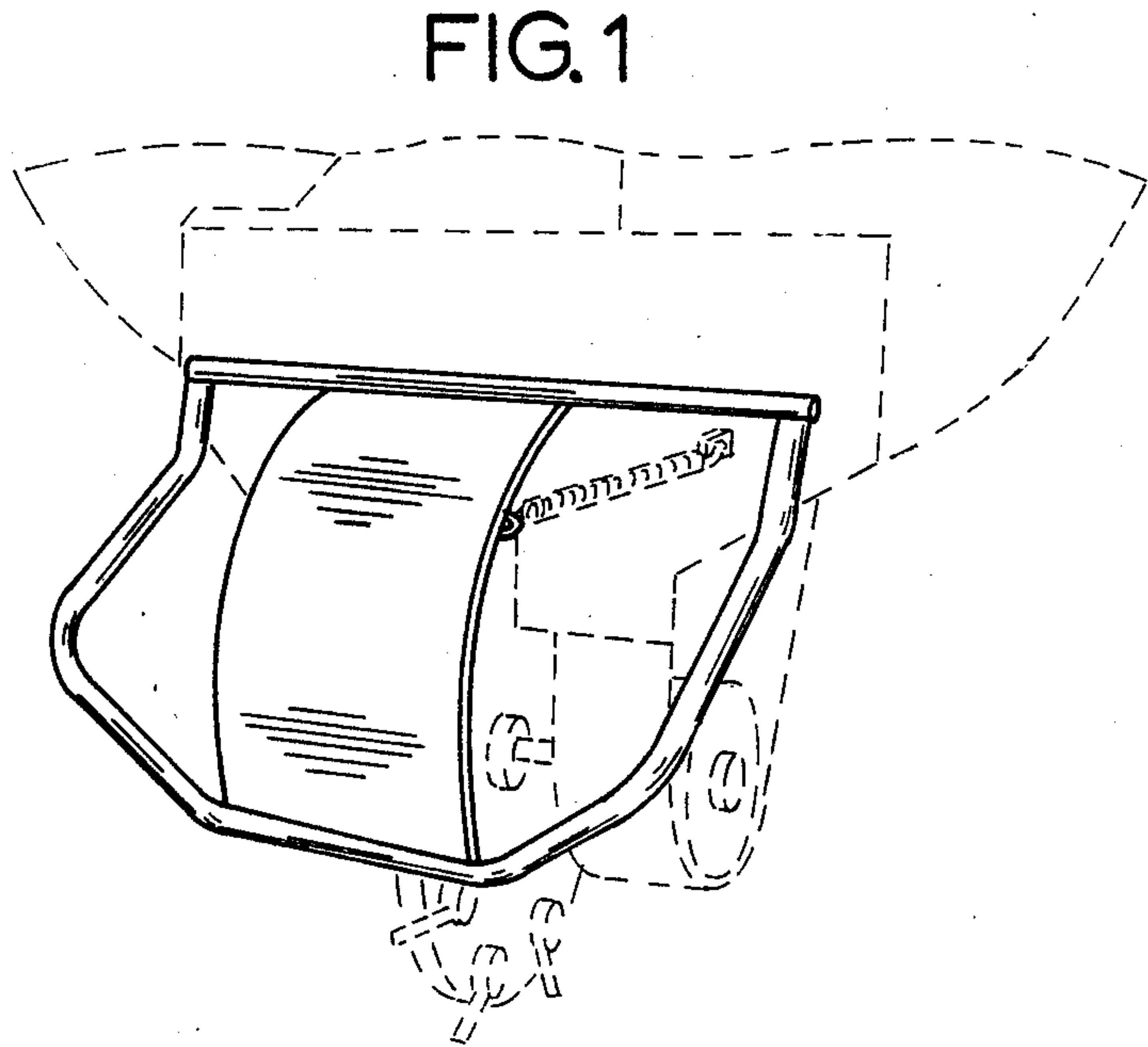
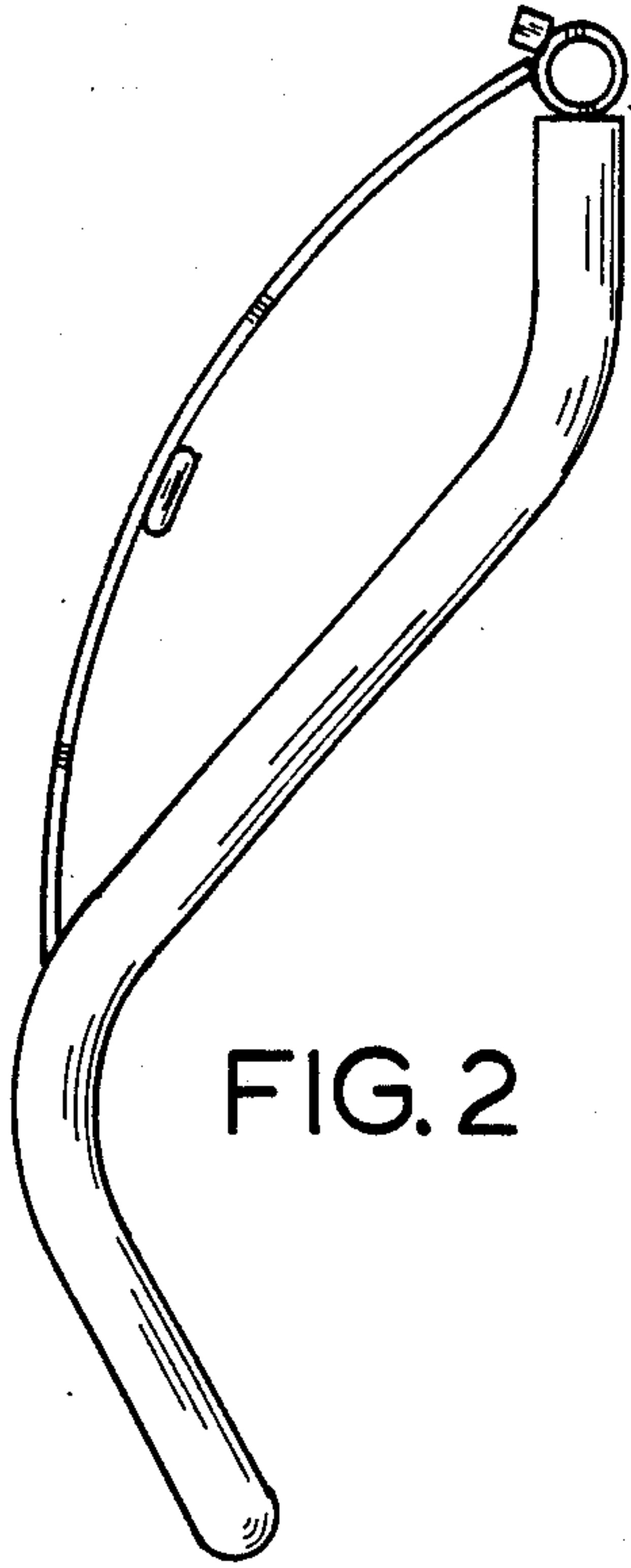


FIG. 4

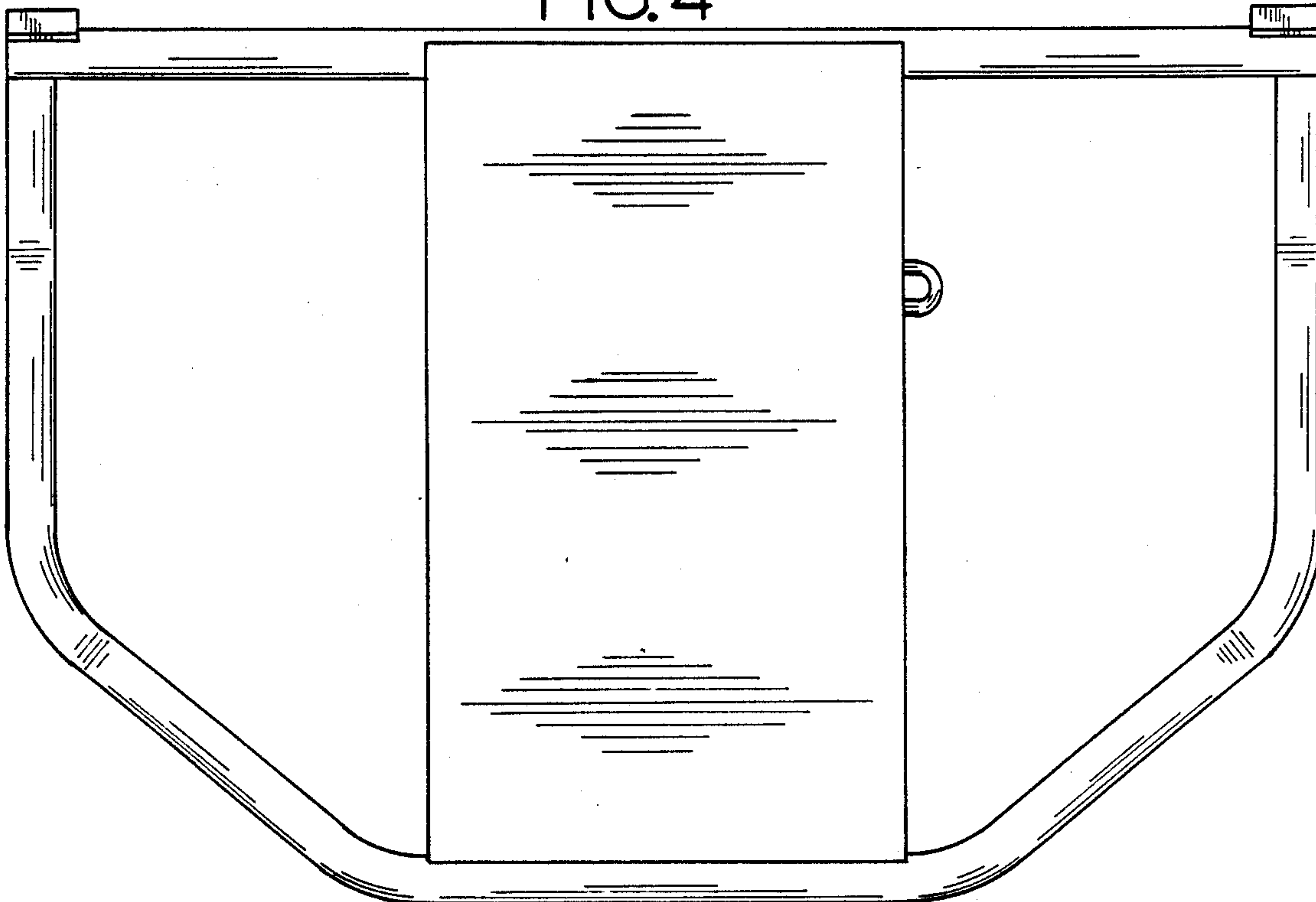


FIG. 5

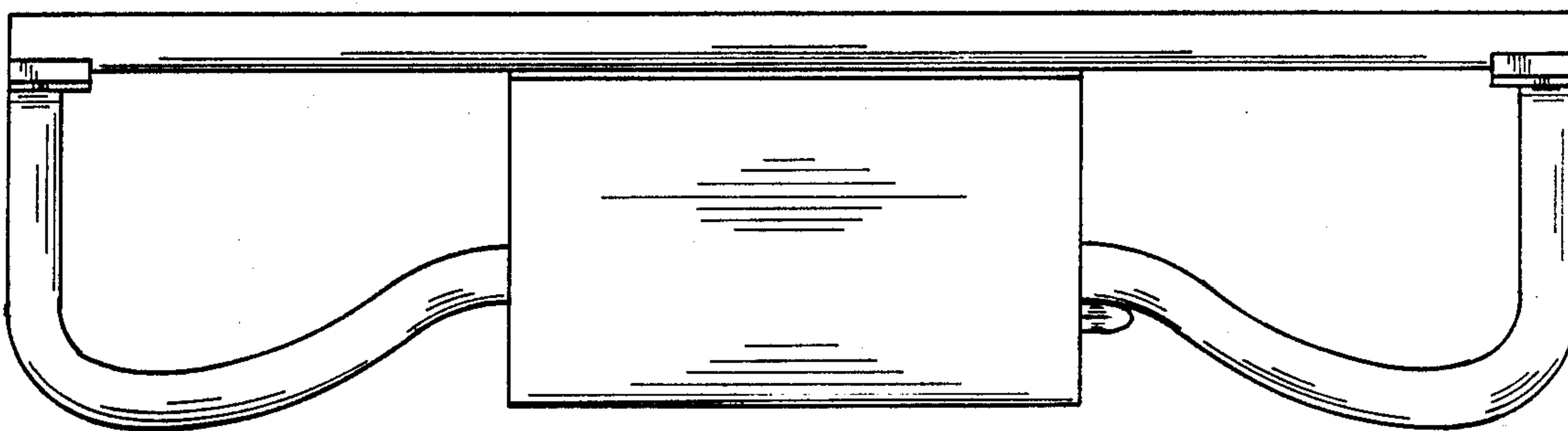


FIG. 6

