

United States Patent [19]

Sadakane et al.

[11] Patent Number: **Des. 308,681**

[45] Date of Patent: **** Jun. 19, 1990**

[54] **LAWN MOWER**

[75] Inventors: **Hirofumi Sadakane, Kawachinagano; Takao Katayama, Sennan; Hiroshi Oshima; Nobuhide Yanagawa, both of Osaka; Hisato Katoh, Sakai, all of Japan**

[73] Assignee: **Kubota, Ltd., Osaka, Japan**

[**] Term: **14 Years**

[21] Appl. No.: **41,599**

[22] Filed: **Apr. 22, 1987**

[52] U.S. Cl. **D15/14**

[58] Field of Search **D15/10, 14, 16-18; 56/12.7, 16.7-16.9, 17.2, 17.4-17.6, 249, 256, 320.1-320.2**

[56] **References Cited**

U.S. PATENT DOCUMENTS

- D. 249,266 9/1978 Furuya D15/14
- D. 274,250 6/1984 Allen et al. D15/14

- D. 274,432 6/1984 Allen et al. D15/14
- D. 276,047 10/1984 Sasaki D15/14
- D. 284,766 7/1986 Chai D15/14
- 4,312,174 1/1982 Vanderhoef D15/14

Primary Examiner—A. Hugo Word
Assistant Examiner—Ruth McInroy
Attorney, Agent, or Firm—Webb, Burden, Ziesenheim & Webb

[57] **CLAIM**

The ornamental design for a lawn mower, as shown and described.

DESCRIPTION

FIG. 1 is a left side elevational view of a lawn mower showing our new design;
FIG. 2 is a right side elevational view thereof;
FIG. 3 is a top plan view thereof;
FIG. 4 is a bottom plan view thereof;
FIG. 5 is a front elevational view thereof;
FIG. 6 is a rear elevational view thereof; and
FIG. 7 is a top, front and left side perspective view thereof.

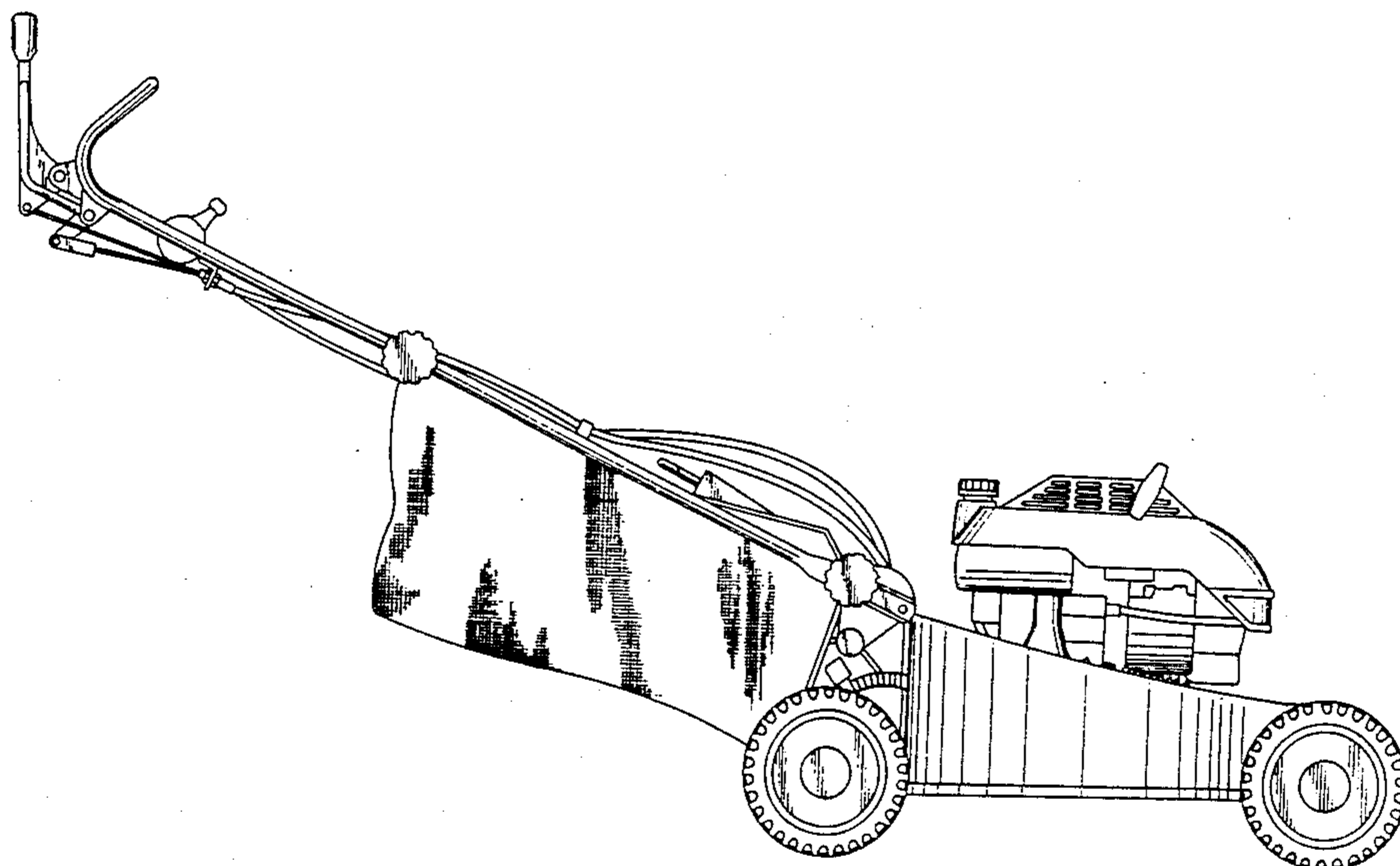
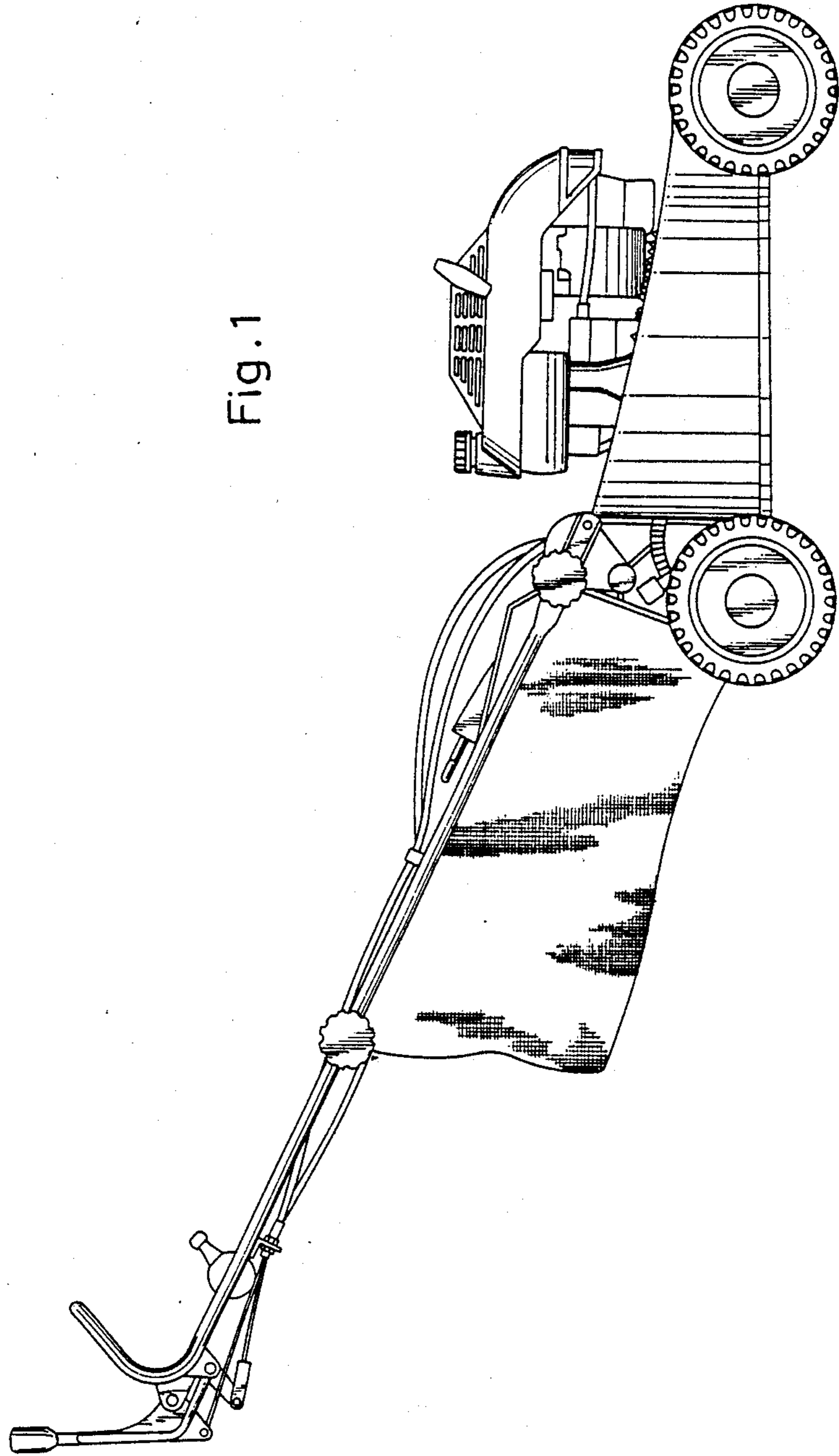


Fig. 1



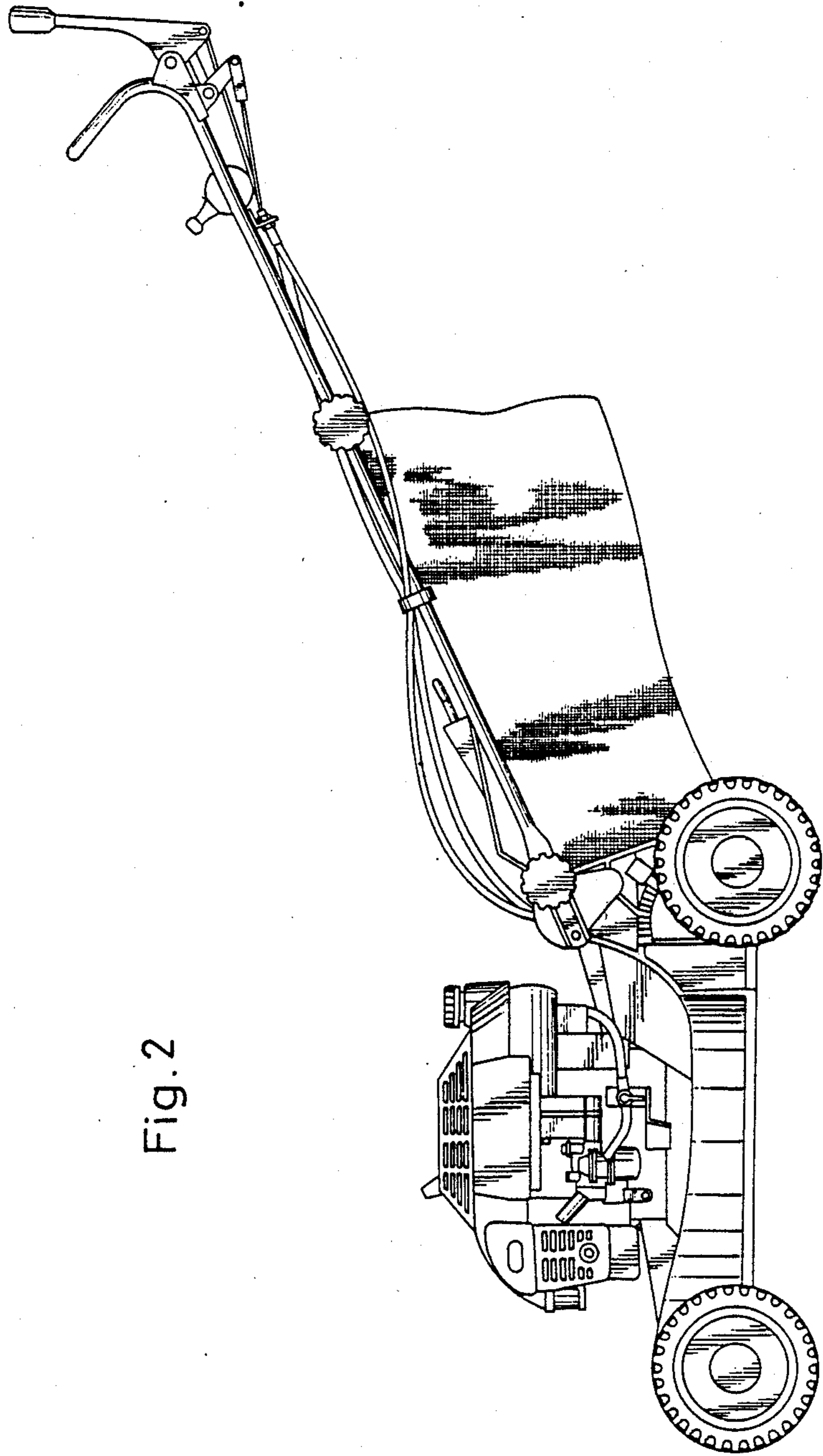


Fig. 2

Fig. 3

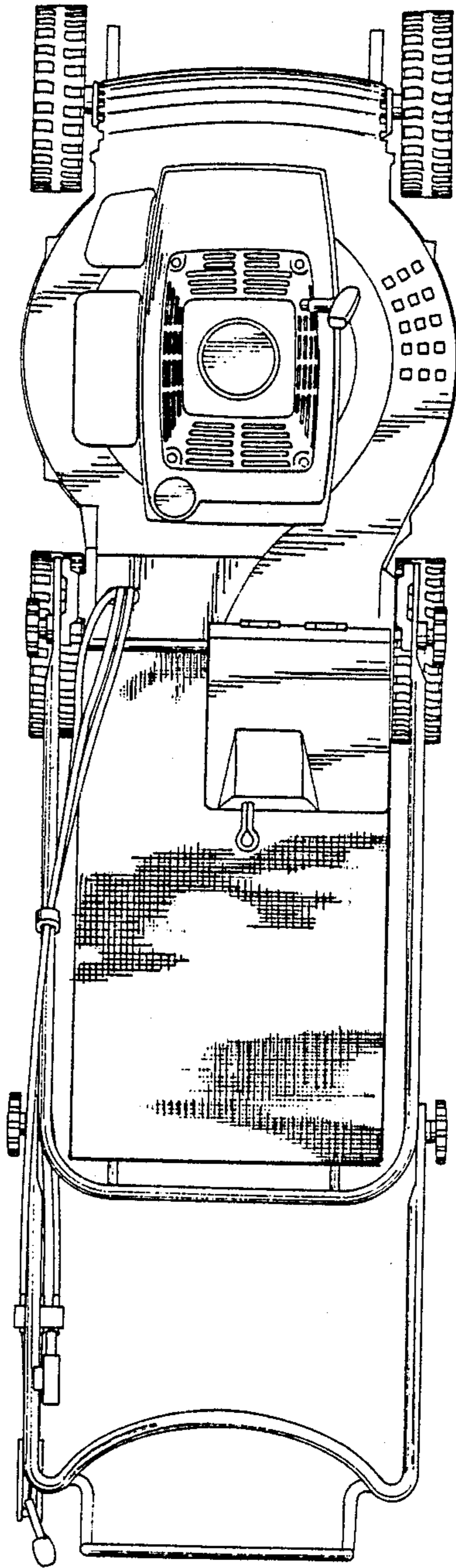


Fig. 4

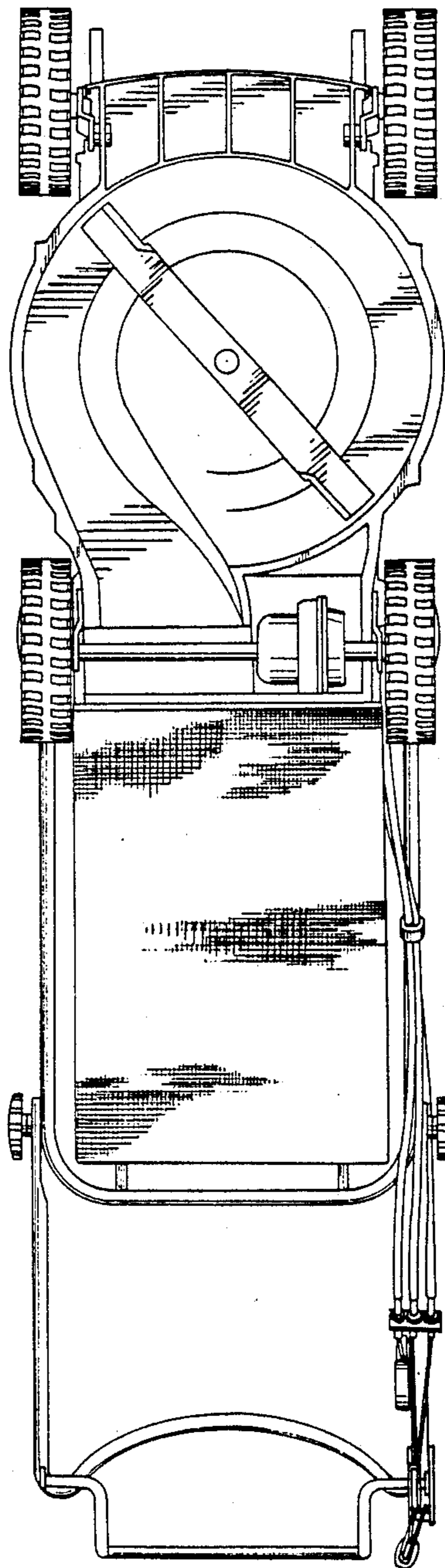


Fig.6

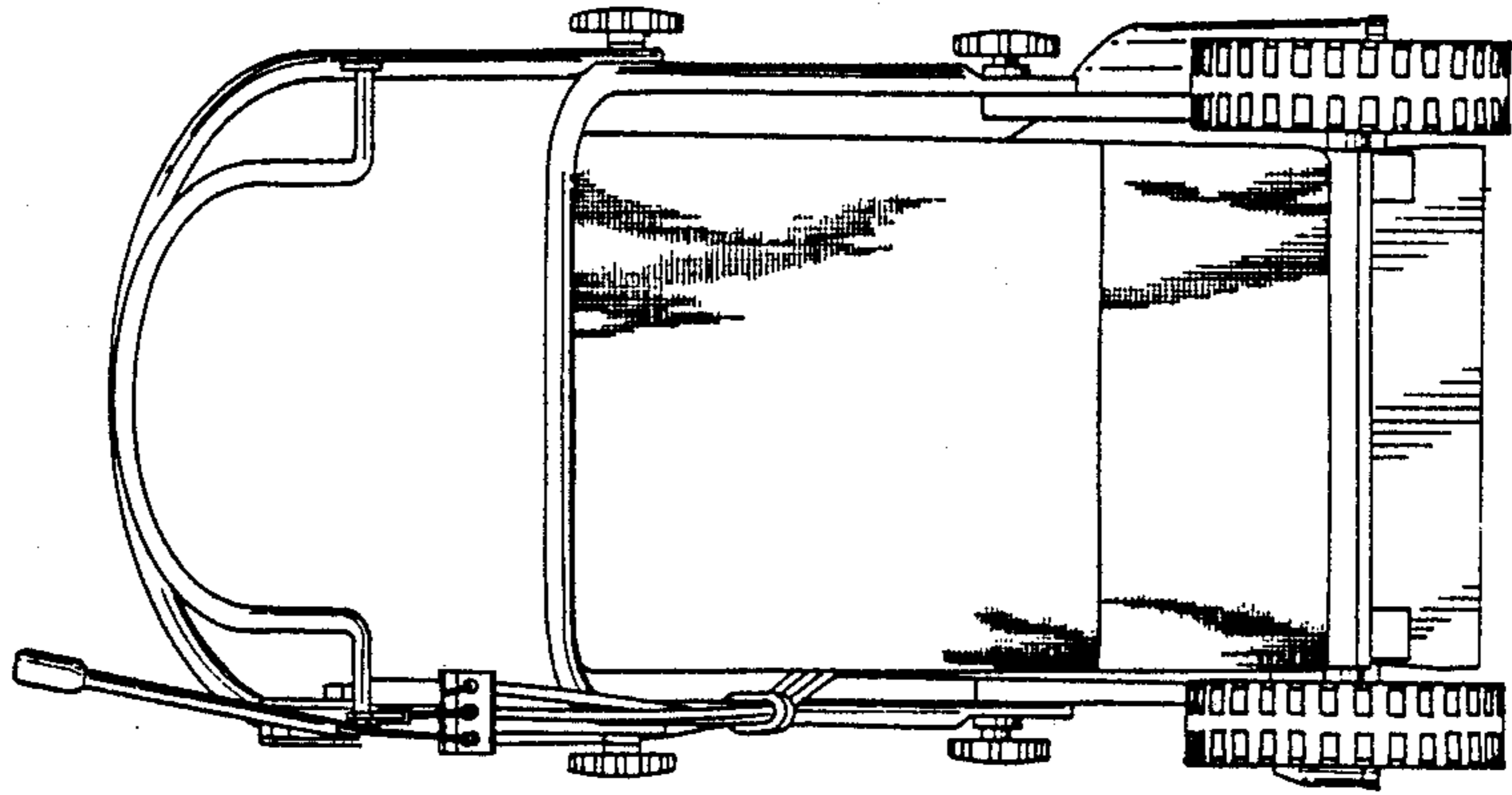
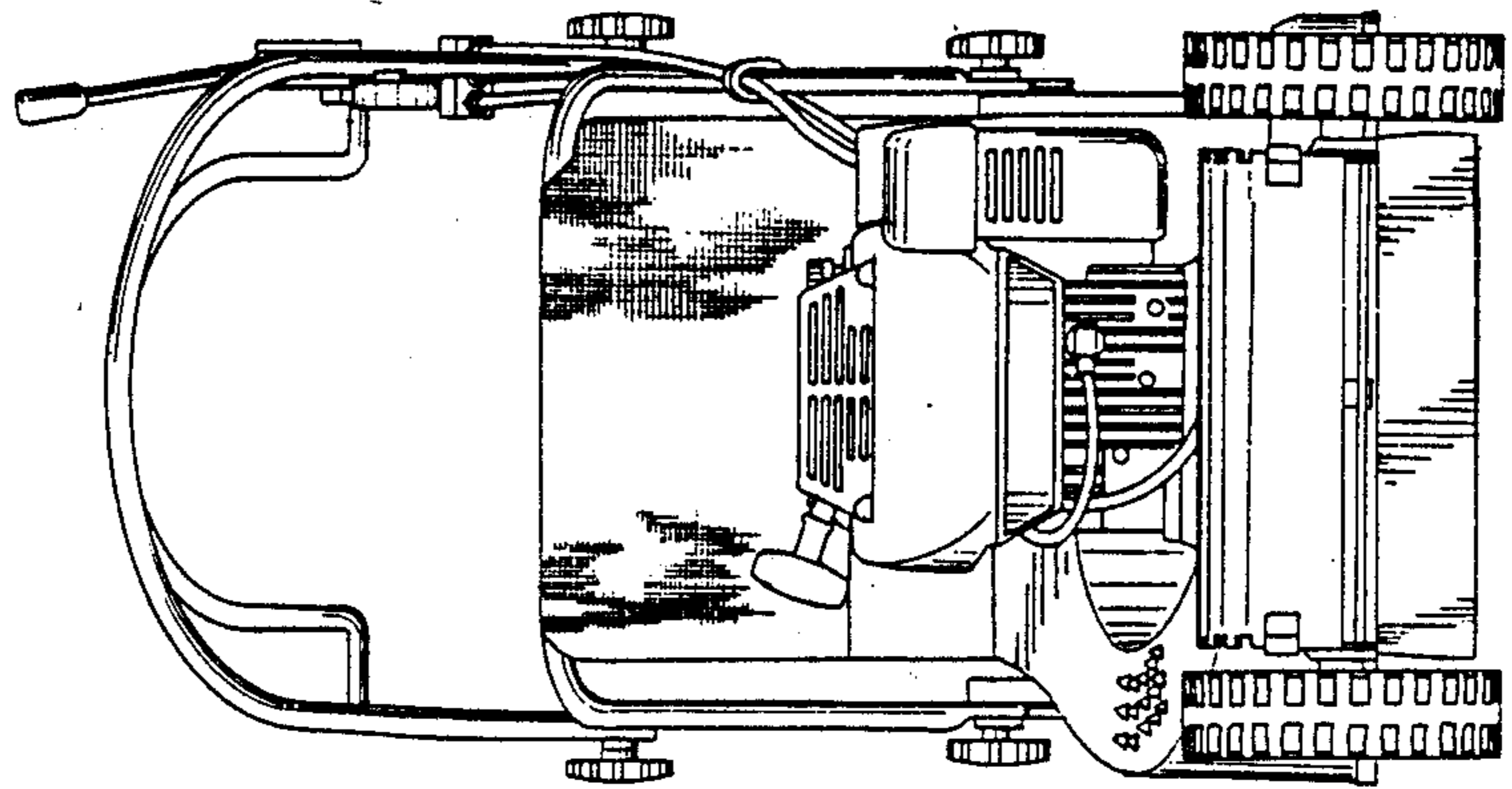


Fig.5



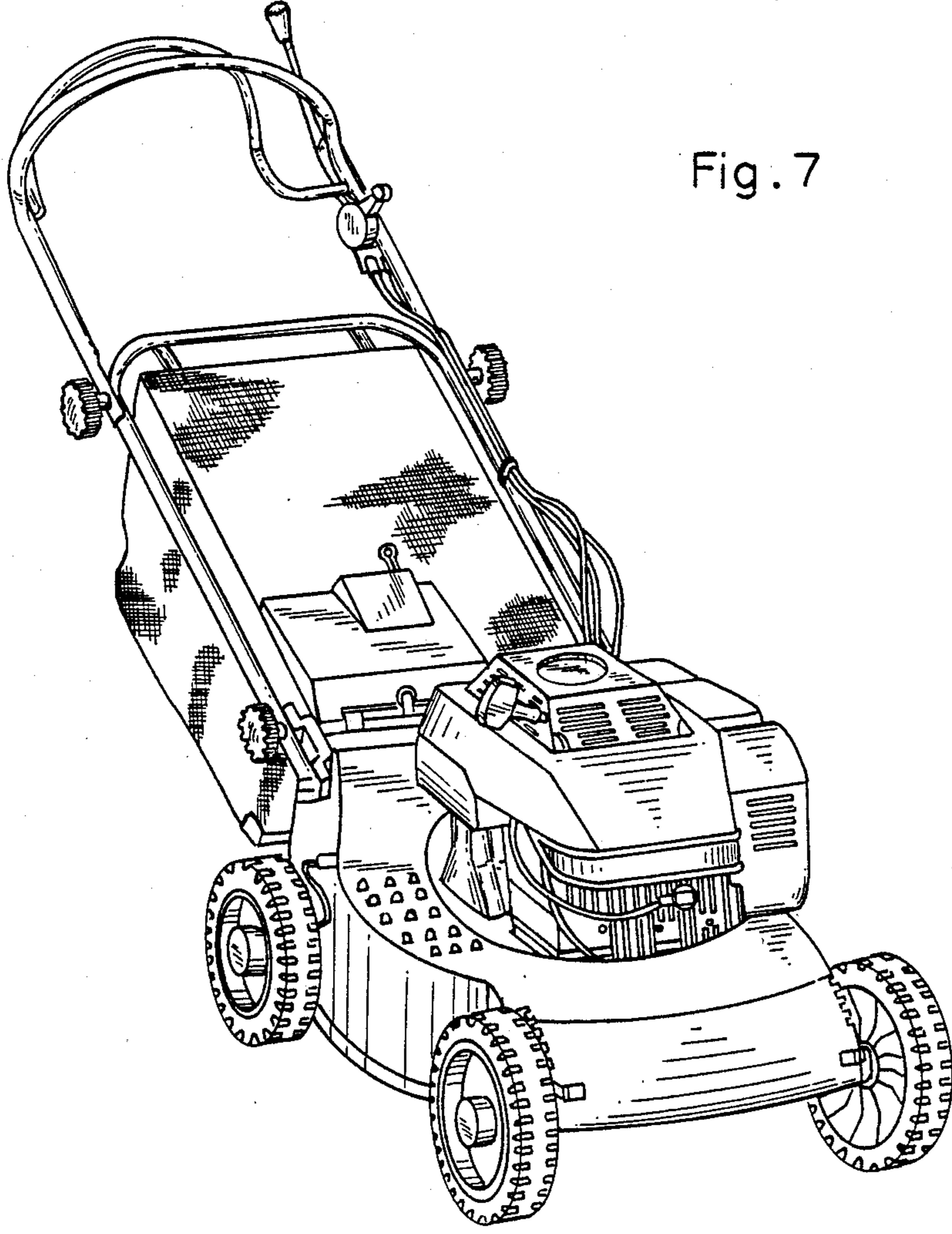


Fig. 7