

[54] TELEVISION RECEIVER

[75] Inventors: Tatsuyuki Mikami, Ichikawa; Hiroko Matsumoto, Tokyo, both of Japan

[73] Assignee: Kabushiki Kaisha Toshiba, Kawasaki, Japan

[**] Term: 14 Years

[21] Appl. No.: 210,308

[22] Filed: Jun. 22, 1988

[30] Foreign Application Priority Data

Dec. 24, 1987 [JP] Japan 62-52385
[52] U.S. Cl. D14/126
[58] Field of Search D14/125-134,
D14/113, 299; 358/254, 255; 312/7.2

[56] References Cited

U.S. PATENT DOCUMENTS

D. 277,854 3/1985 Masuba D14/126
D. 298,247 10/1988 Kogane et al. D14/126
D. 298,323 11/1988 Ariyoshi et al. D14/126
D. 300,830 4/1989 Lowry D14/126 X

OTHER PUBLICATIONS

HFD; 1/4/88; p. 122; top left-Emerson Model 1MS2700RD TV.
Video Review; Feb. 1986; p. 16; Sony VCR/TV.
Hitachi catalog of "C29-G77".
NEC catalog of "C-29HTI".
Sharp catalog of "29C-VIS".

Primary Examiner—Bernard Ansher
Assistant Examiner—Theodore M. Shooman
Attorney, Agent, or Firm—Oblon, Spivak, McClelland, Maier & Neustadt

[57] CLAIM

The ornamental design for a television receiver, as shown and described.

DESCRIPTION

FIG. 1 is a front and right side perspective view of a television receiver showing our new design; FIG. 2 is a front elevational view thereof; FIG. 3 is a rear elevational view thereof; FIG. 4 is a right side elevational view thereof, the left side being a mirror image of the right; FIG. 5 is a top plan view thereof; FIG. 6 is a bottom plan view thereof; and FIG. 7 is a front elevational view thereof with the control panel shown open.

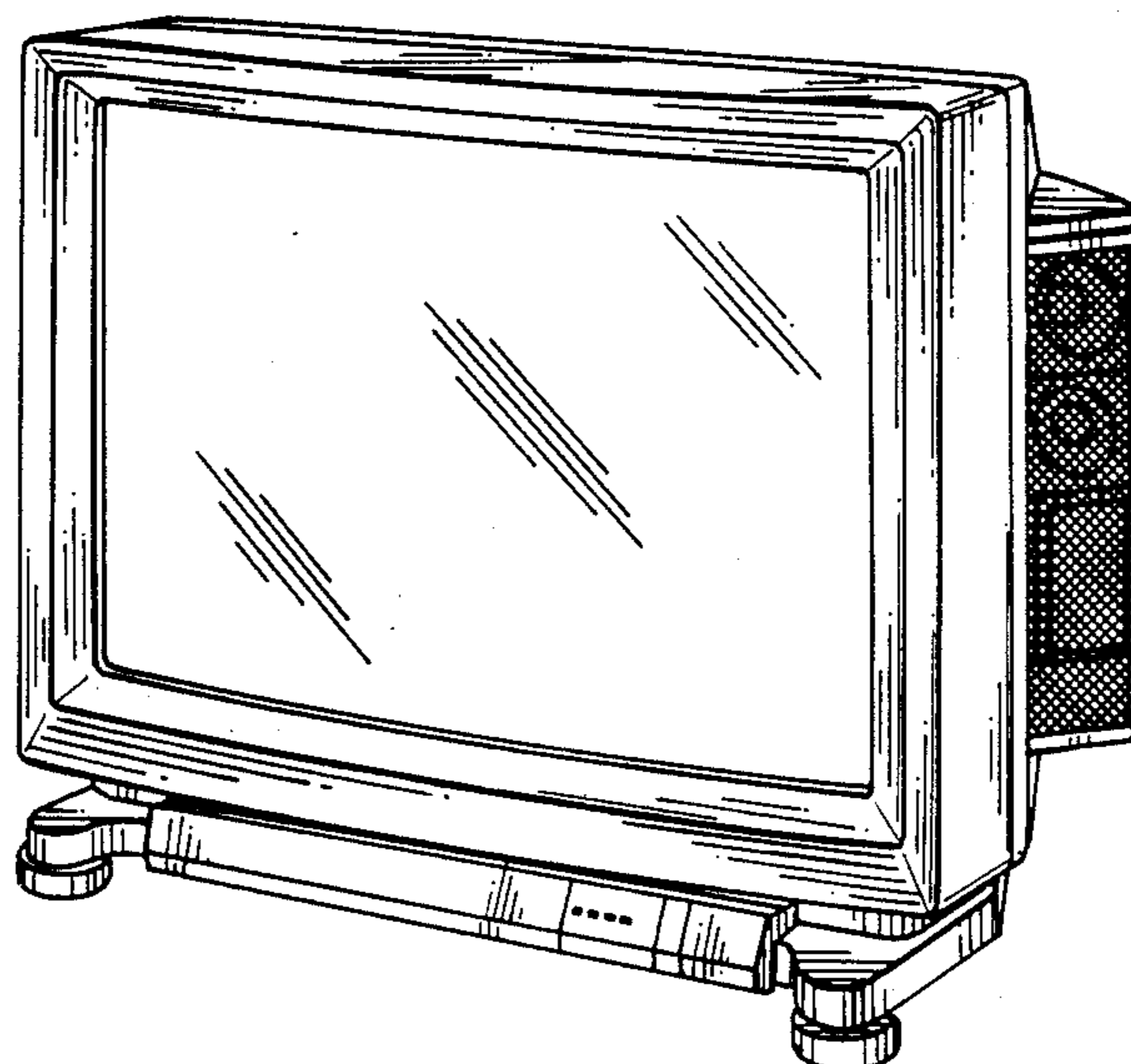


FIG. 1

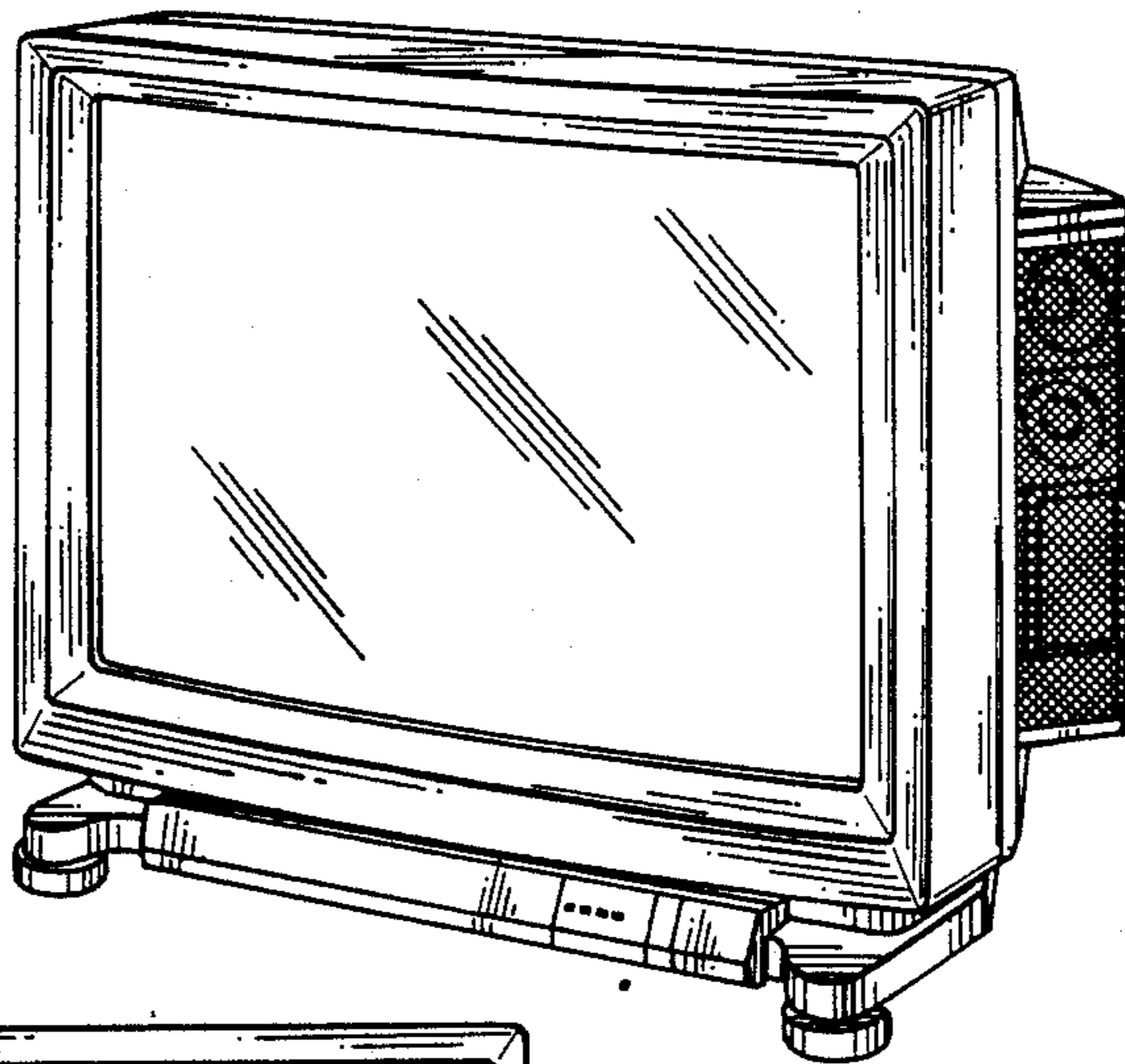


FIG. 2

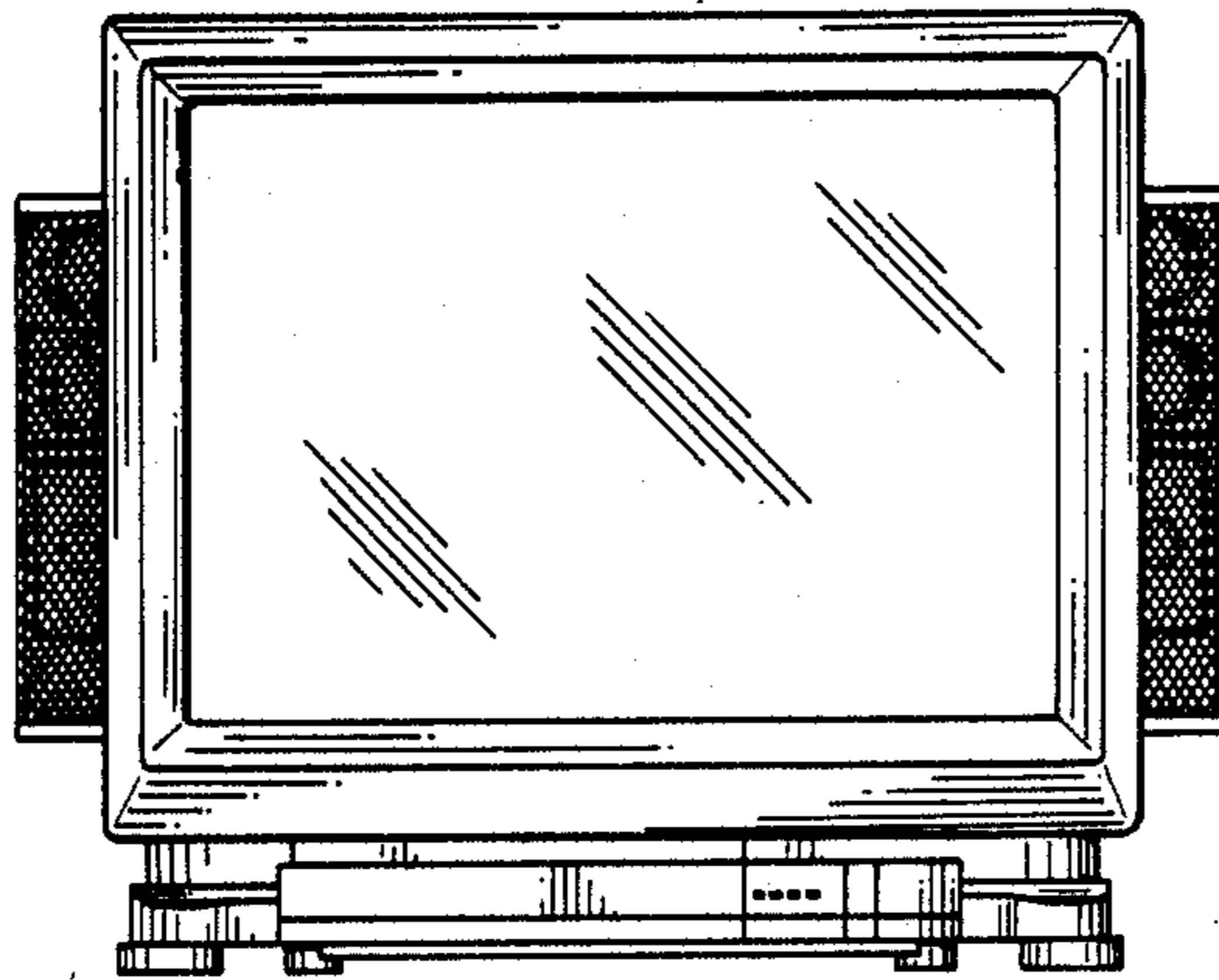


FIG. 3

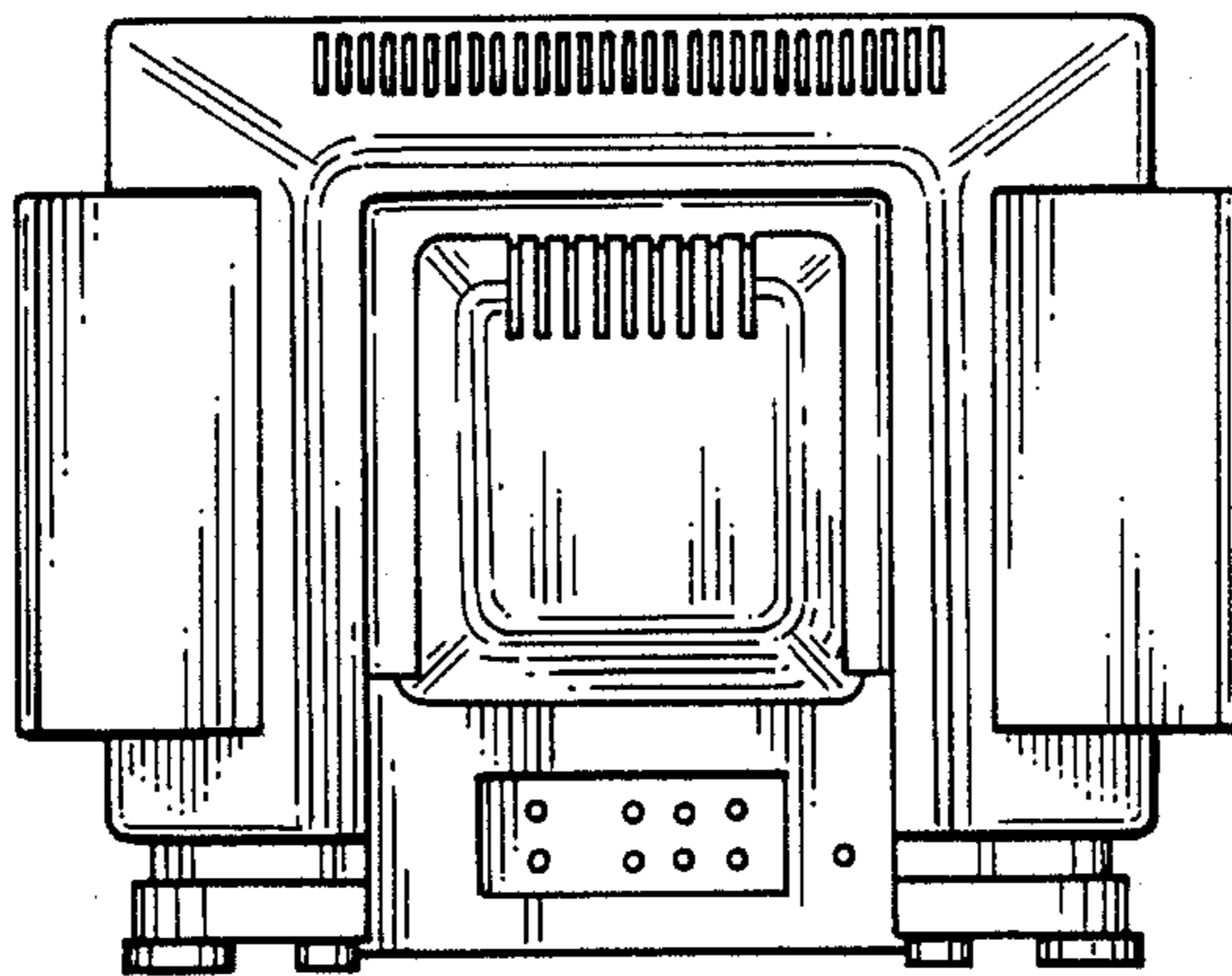


FIG. 4

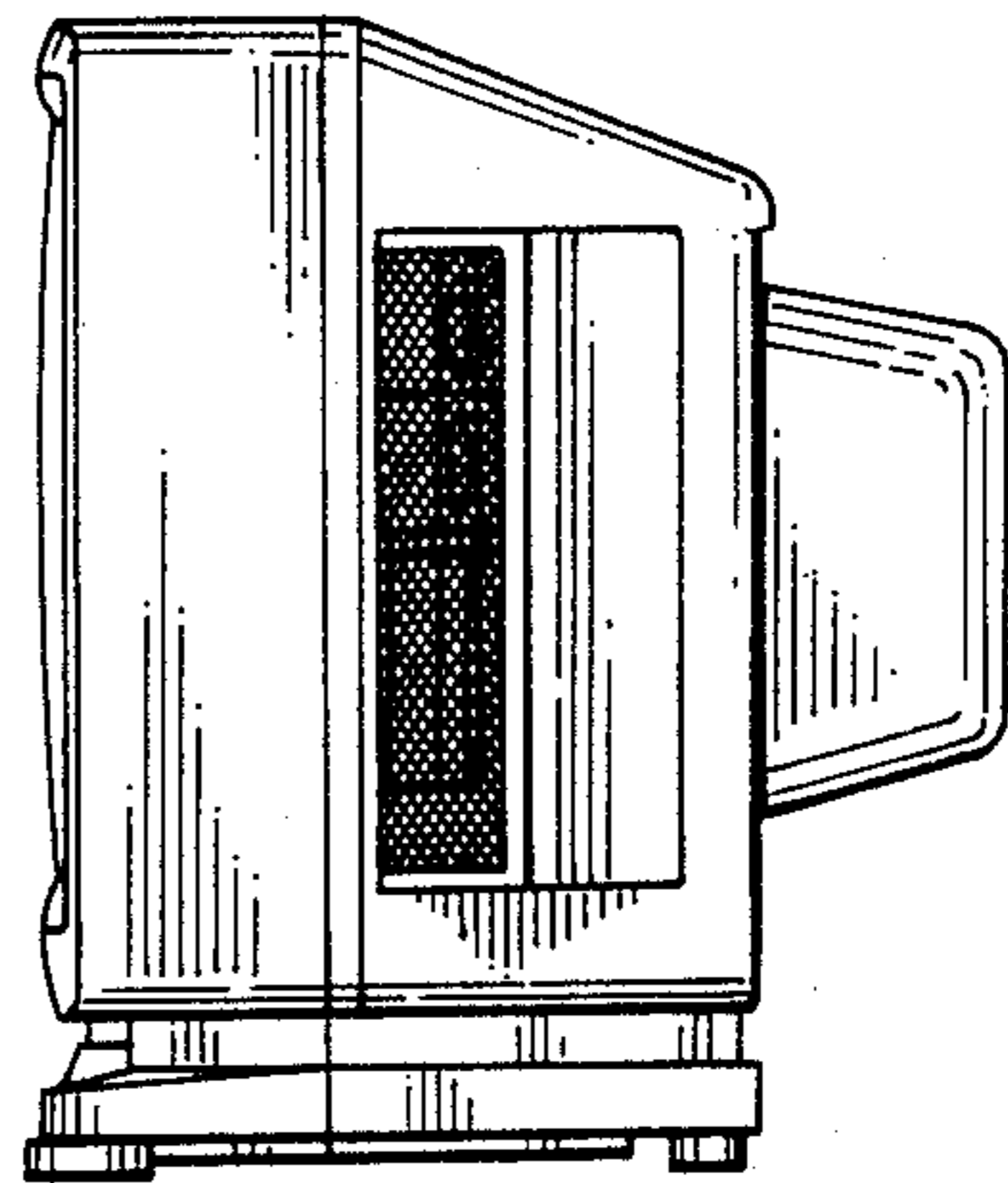


FIG. 5

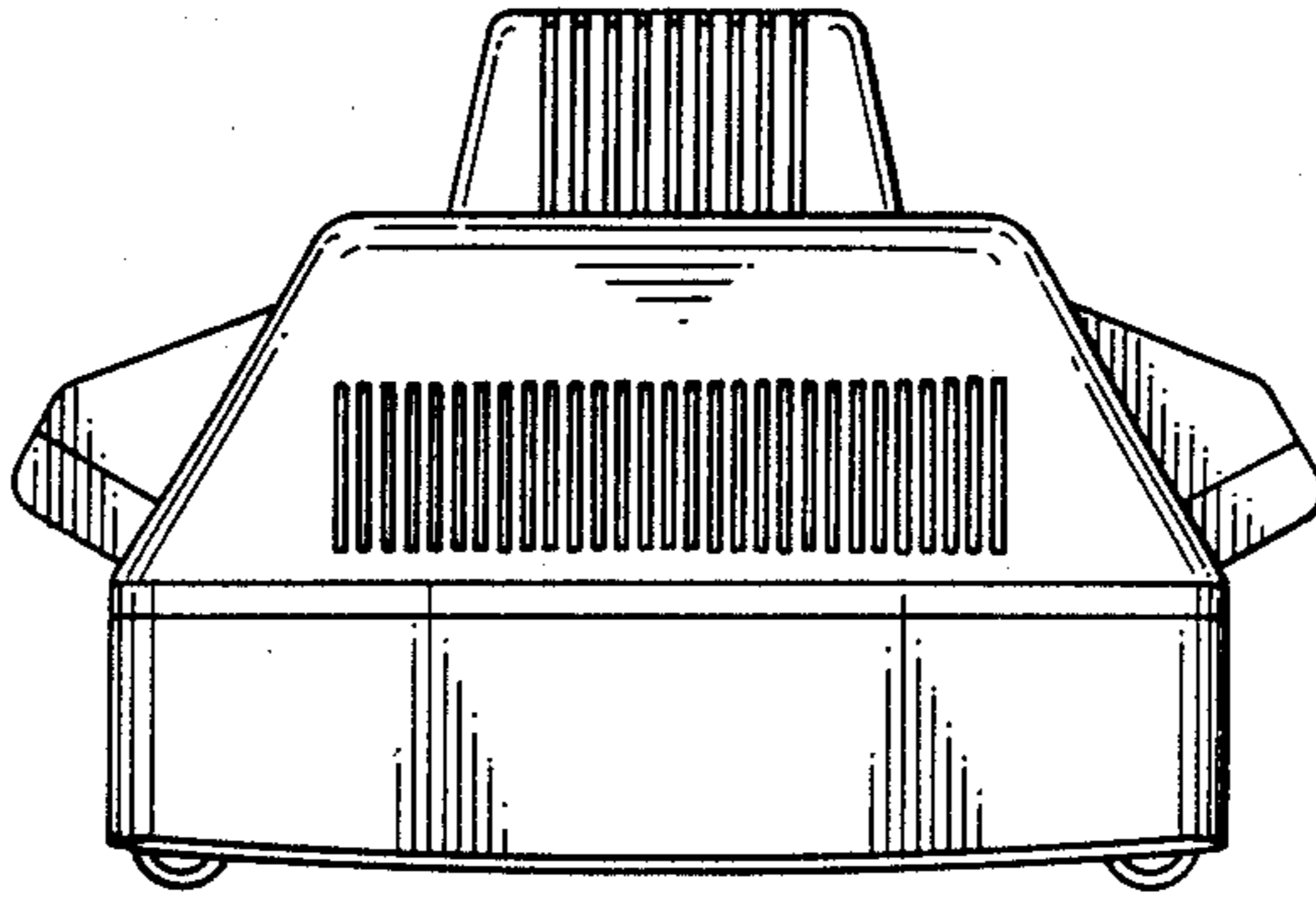


FIG. 6

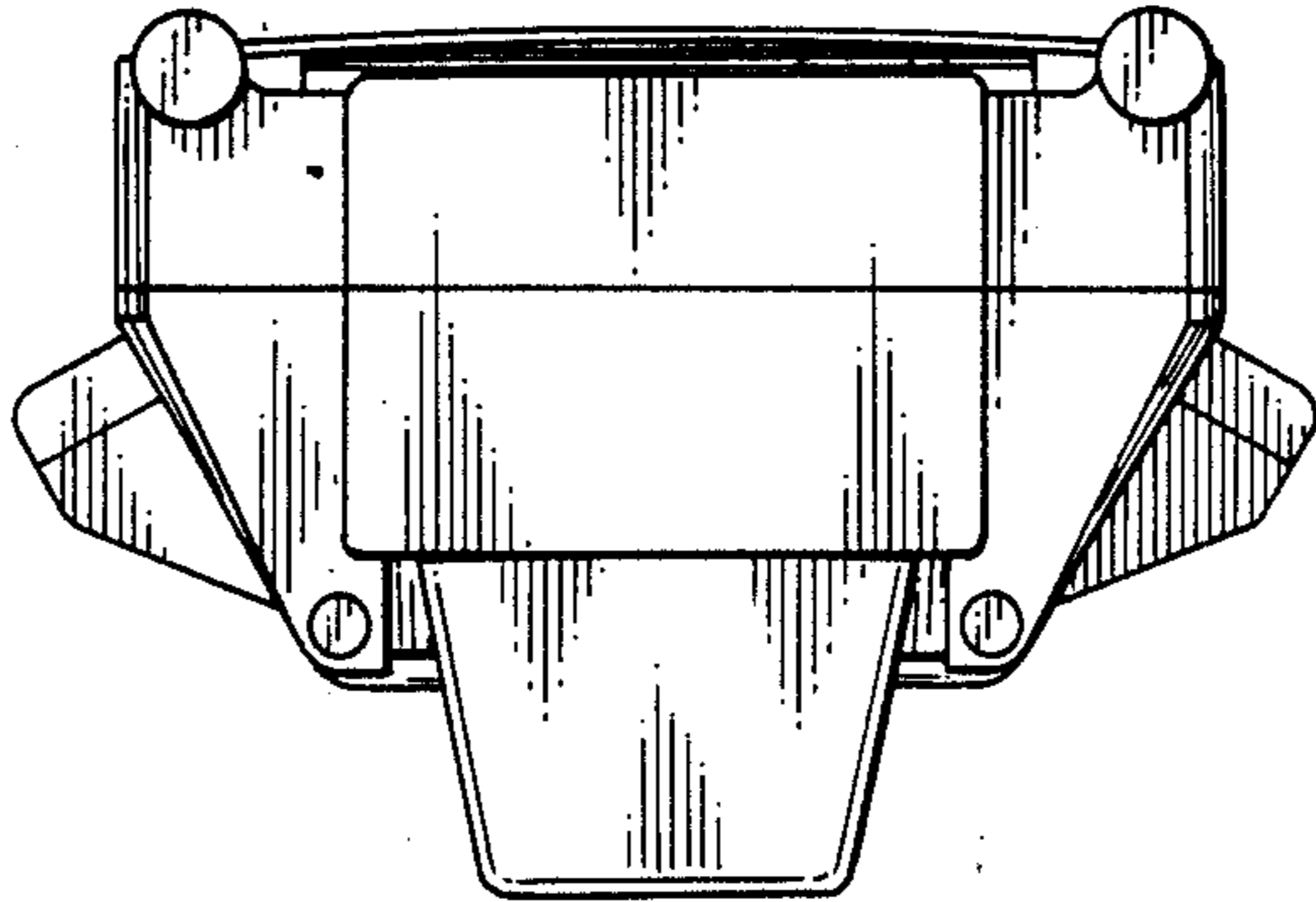


FIG. 7

