

[54] FRONT CONTROL PANEL FOR A DATA PROCESSING SYSTEM

[75] Inventors: Wayne L. Aderman, Zumbro Falls, Minn.; Robert P. Tennant, Endicott, N.Y.

[73] Assignee: International Business Machines Corporation, Armonk, N.Y.

[**] Term: 14 Years

[21] Appl. No.: 169,188

[22] Filed: Mar. 16, 1988

[52] U.S. Cl. D14/115

[58] Field of Search D14/100, 102, 106, 107, D14/109, 114, 115; D13/40, 41; 360/97, 98, 99; 361/390-395; 364/708

[56] References Cited

U.S. PATENT DOCUMENTS

- D. 238,494 1/1976 Kalvitis et al. D14/115 X
- D. 240,135 6/1976 Gorman et al. D14/115

- D. 249,343 9/1978 Ronzani D14/115
- D. 285,795 9/1986 Chandler et al. D14/115
- D. 289,875 5/1987 Satherley D14/100 X

FOREIGN PATENT DOCUMENTS

- 678904 5/1986 Japan D14/109

Primary Examiner—Susan J. Lucas
Assistant Examiner—Freda S. Nunn
Attorney, Agent, or Firm—J. Michael Anglin

[57] CLAIM

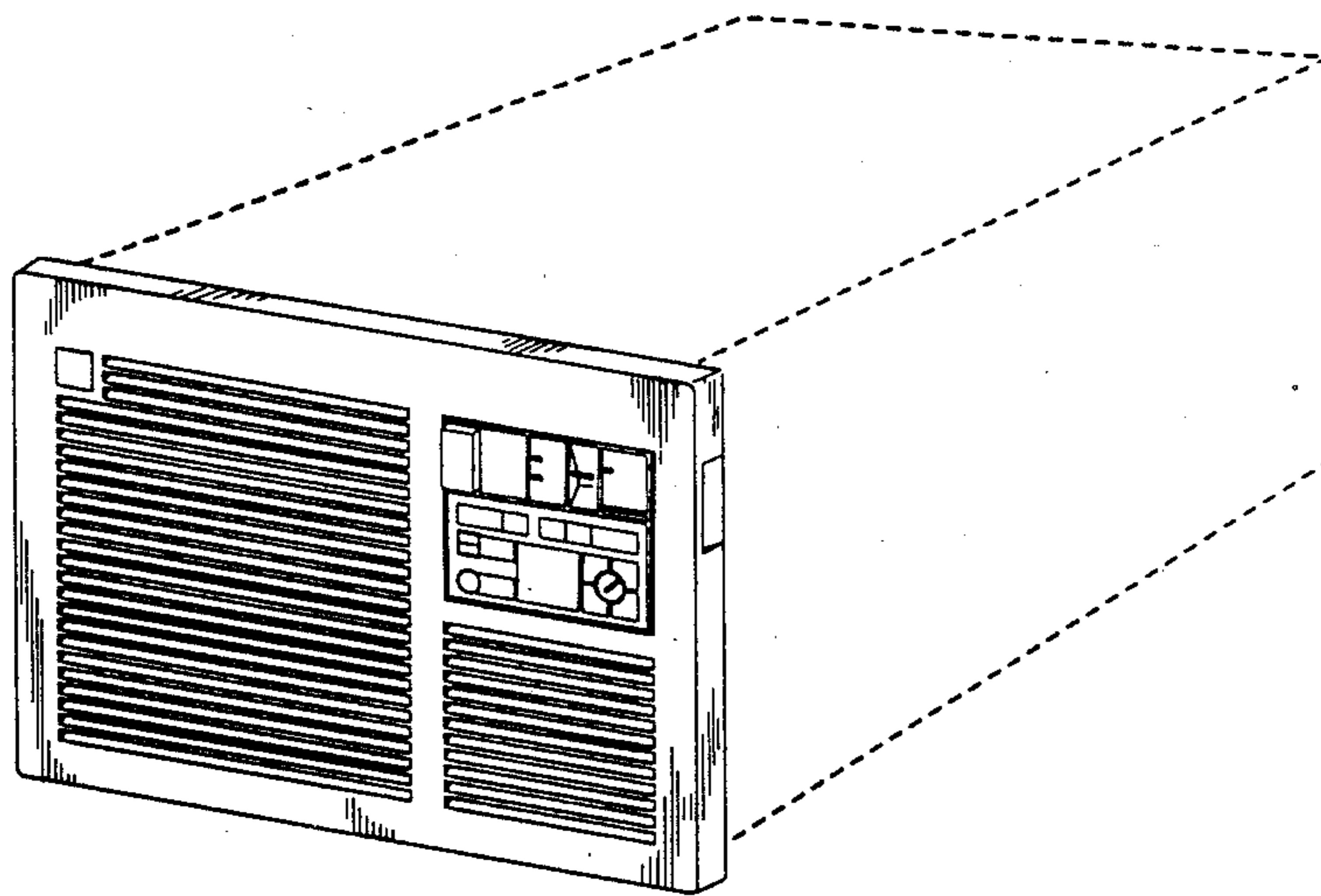
The ornamental design for a front panel for a data processing system, as shown and described.

DESCRIPTION

FIG. 1 is a top, front, right side perspective view of a front control panel for a data processing system showing our new design.

FIG. 2 is a left side elevational view thereof;

The housing of the data processing system is shown in FIGS. 1 and 2 in broken lines for illustrative purposes only and thus forms no part of the claimed design.



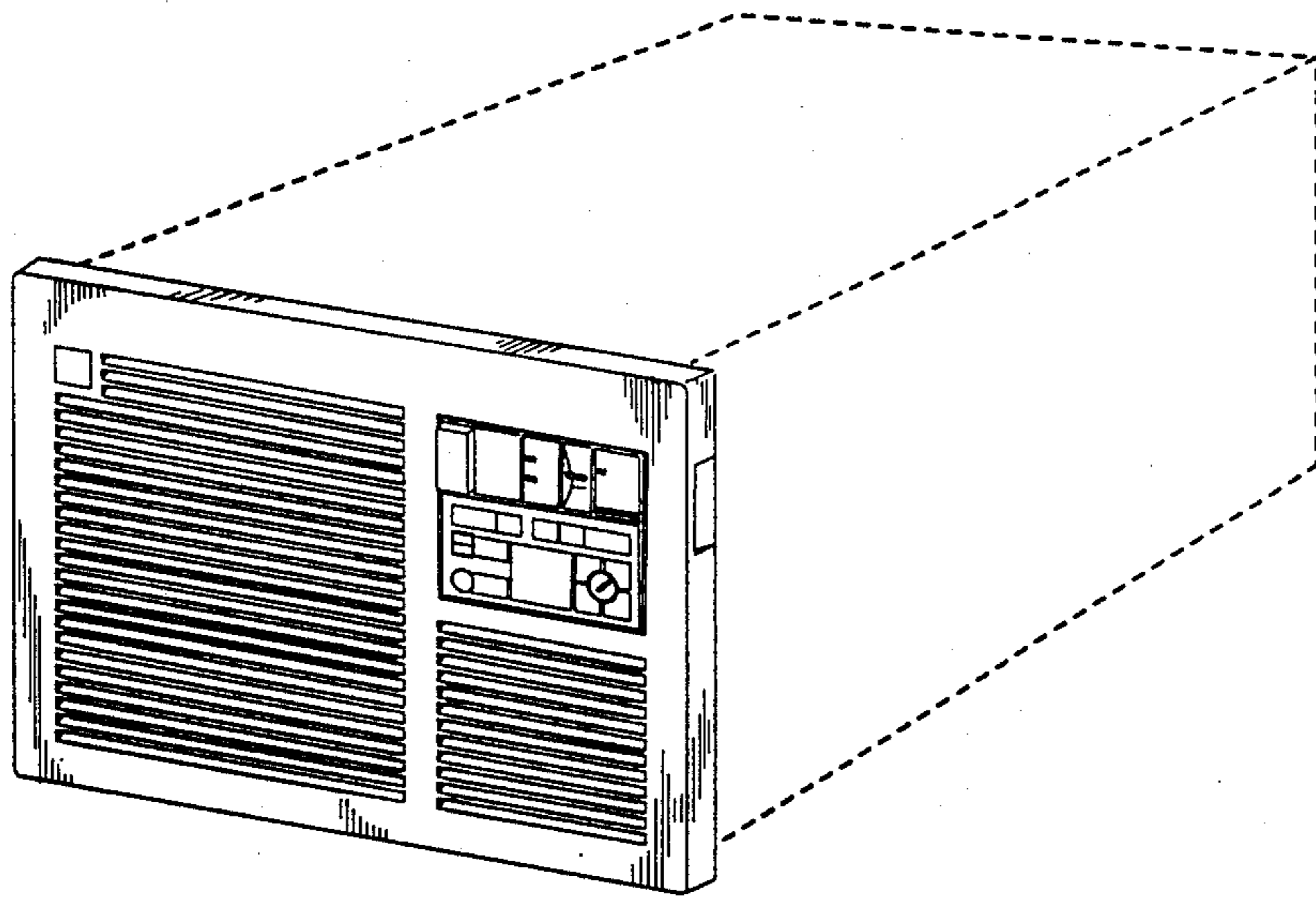


FIG. 1

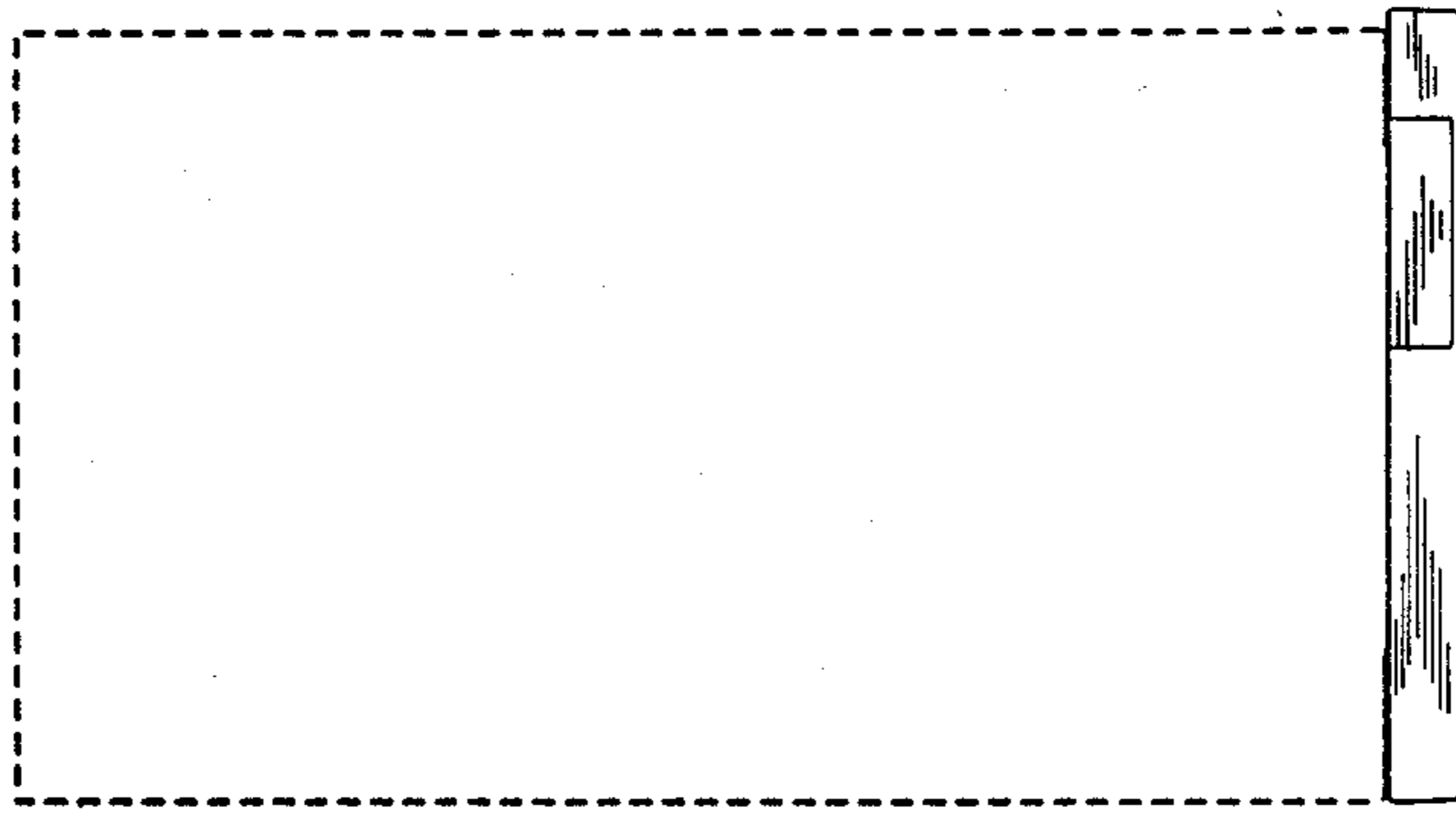


FIG. 2