

United States Patent [19]

Aderman et al.

[11] Patent Number: **Des. 308,671**

[45] Date of Patent: **** Jun. 19, 1990**

[54] **PANEL FOR STORAGE DEVICES IN A DATA PROCESSING SYSTEM**

[75] Inventors: **Wayne L. Aderman**, Zumbro Falls, Minn.; **Robert P. Tennant**, Endicott, N.Y.

[73] Assignee: **International Business Machines Corporation**, Armonk, N.Y.

[**] Term: **14 Years**

[21] Appl. No.: **169,195**

[22] Filed: **Mar. 15, 1988**

[52] U.S. Cl. **D14/115; D14/109**

[58] Field of Search **D14/100, 102, 106, 107, D14/109, 114, 115; D13/40, 41; 360/97, 98, 99; 361/390-395; 364/708**

[56] **References Cited**

U.S. PATENT DOCUMENTS

- D. 238,494 1/1976 Kalvitis et al. D14/115 X
- D. 242,633 12/1976 Palecki et al. D14/109

- D. 275,105 8/1984 Kuschewski et al. D14/115
- D. 285,795 9/1986 Chandler et al. D14/115
- D. 294,577 3/1988 Kline D14/100

OTHER PUBLICATIONS

DATA Communication Interconnect catalog, May 1986, p. 11, Auto-dial Modem-Computer Box.

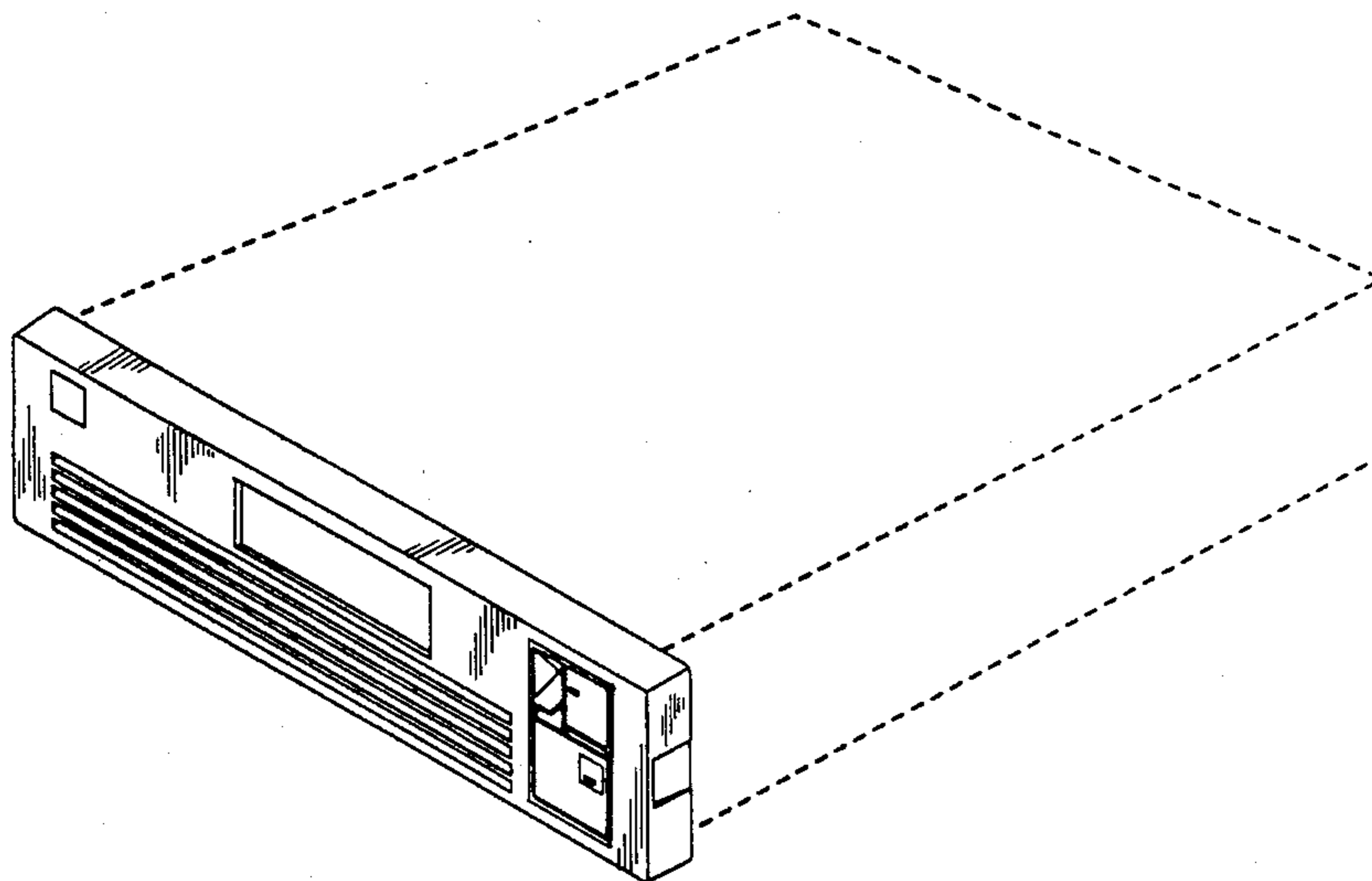
Primary Examiner—Susan J. Lucas
Assistant Examiner—Freda S. Nunn
Attorney, Agent, or Firm—J. Michael Anglin

[57] **CLAIM**

The ornamental design for a panel for storage devices in a data processing system, as shown and described.

DESCRIPTION

FIG. 1 is a top, front, right side perspective view of a panel for storage devices in a data processing system showing our new design.
FIG. 2 is a left side elevational view thereof.
The housing of the storage devices is shown in FIGS. 1 and 2 in broken lines for illustrative purposes only and forms no part of the claimed design.



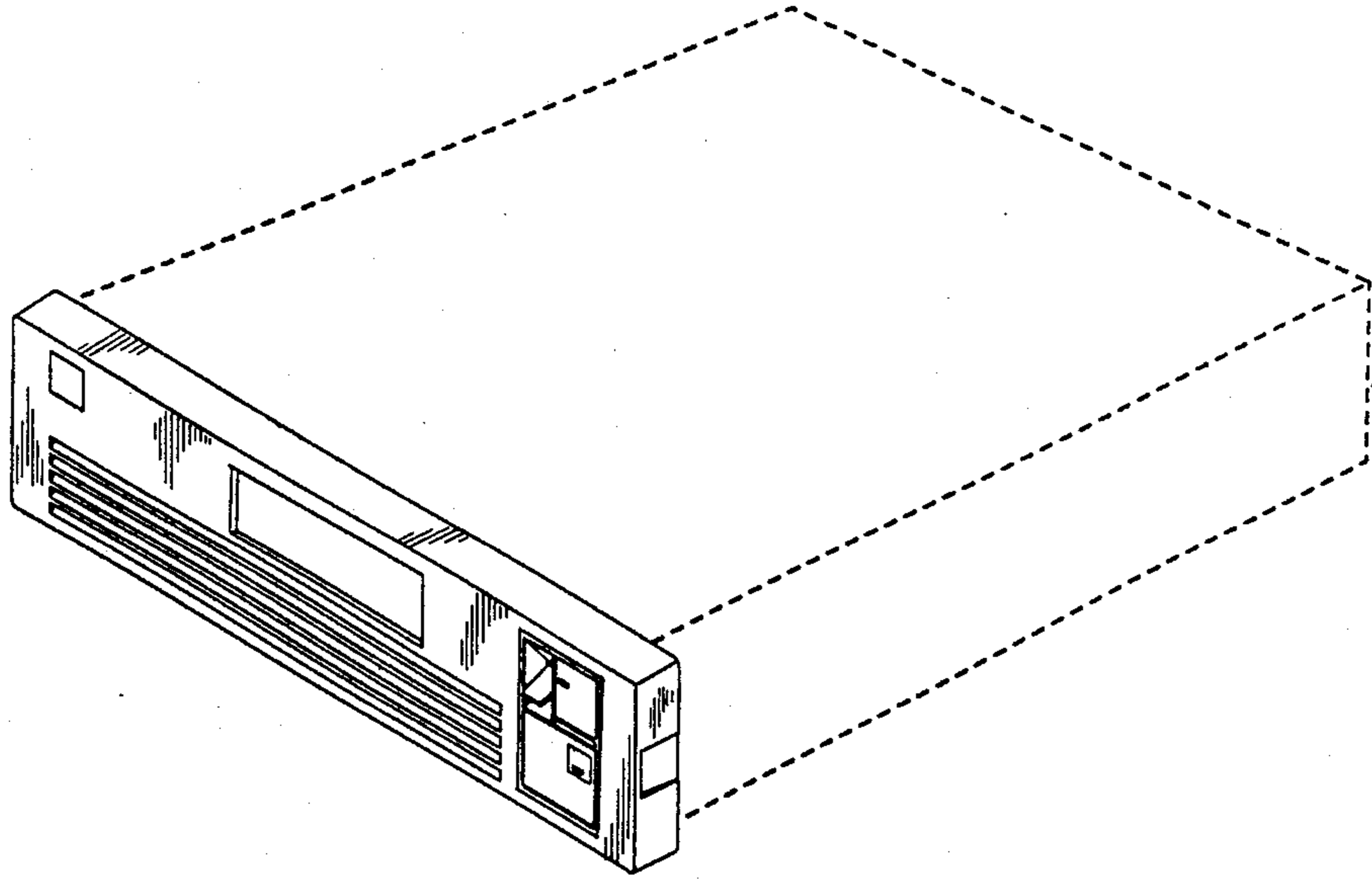


FIG. 1

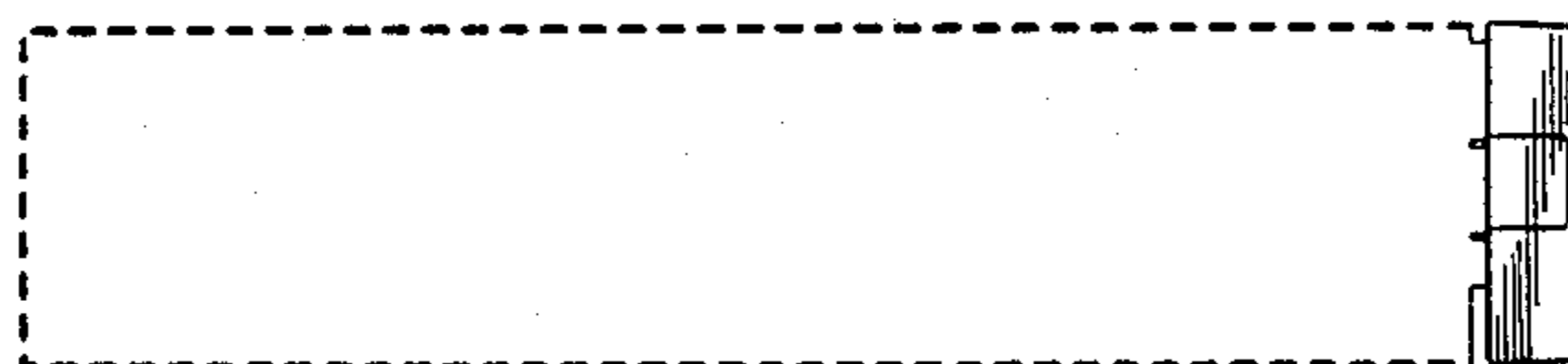


FIG. 2