

[54] SOLENOID OPERATED PLUG EJECTOR FOR AUTOMATICALLY EJECTING A POWER SUPPLY PLUG FROM A VEHICLE MOUNTED POWER INPUT SOCKET

[75] Inventor: Ernest A. Kussmaul, Sayville, N.Y.

[73] Assignee: Kussmaul Electronics Company Inc., West Sayville, N.Y.

[**] Term: 14 Years

[21] Appl. No.: 10,154

[22] Filed: Feb. 2, 1987

[52] U.S. Cl. D13/133

[58] Field of Search D13/24-30; 439/152, 159; 191/12.4, 12.2 R, 12.2 A

[56] References Cited

U.S. PATENT DOCUMENTS

2,158,385 5/1939 Schwien 439/152 X

4,138,177 2/1979 Van Valer 439/152 X
4,730,089 3/1988 Pepper 191/12.4

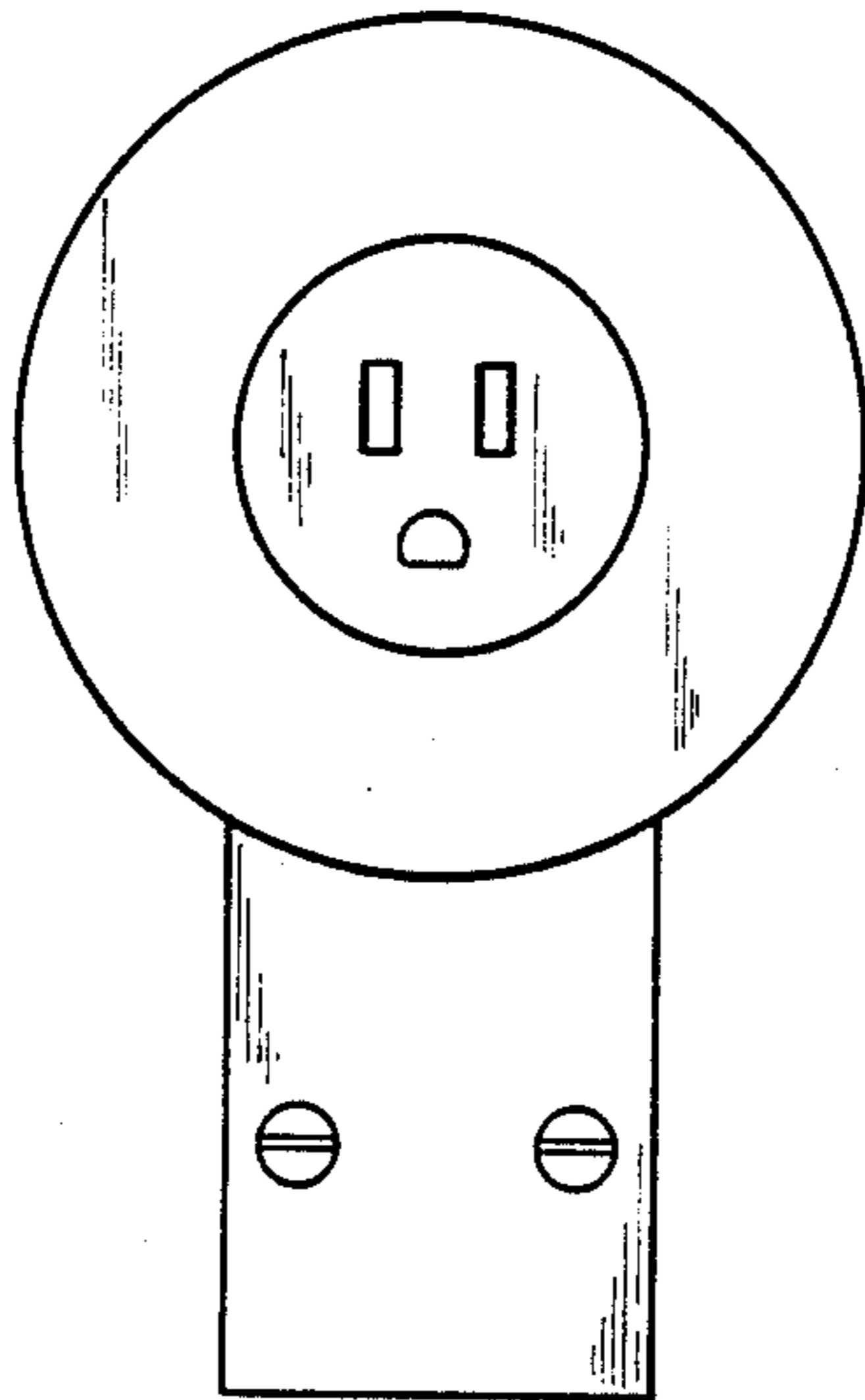
Primary Examiner—Susan J. Lucas
Attorney, Agent, or Firm—Edward H. Loveman

[57] CLAIM

The ornamental design of an solenoid operated plug ejector for automatically ejecting a power supply plug from a vehicle mounted power input socket, as shown and described.

DESCRIPTION

FIG. 1 is a front elevational view of a solenoid operated plug ejector for automatically ejecting a power supply plug from a vehicle mounted power input socket showing my new design;
FIG. 2 is a right side elevational view thereof;
FIG. 3 is a top plan view thereof;
FIG. 4 is a left side elevational view thereof;
FIG. 5 is a rear elevational view thereof; and
FIG. 6 is a bottom plan view thereof.



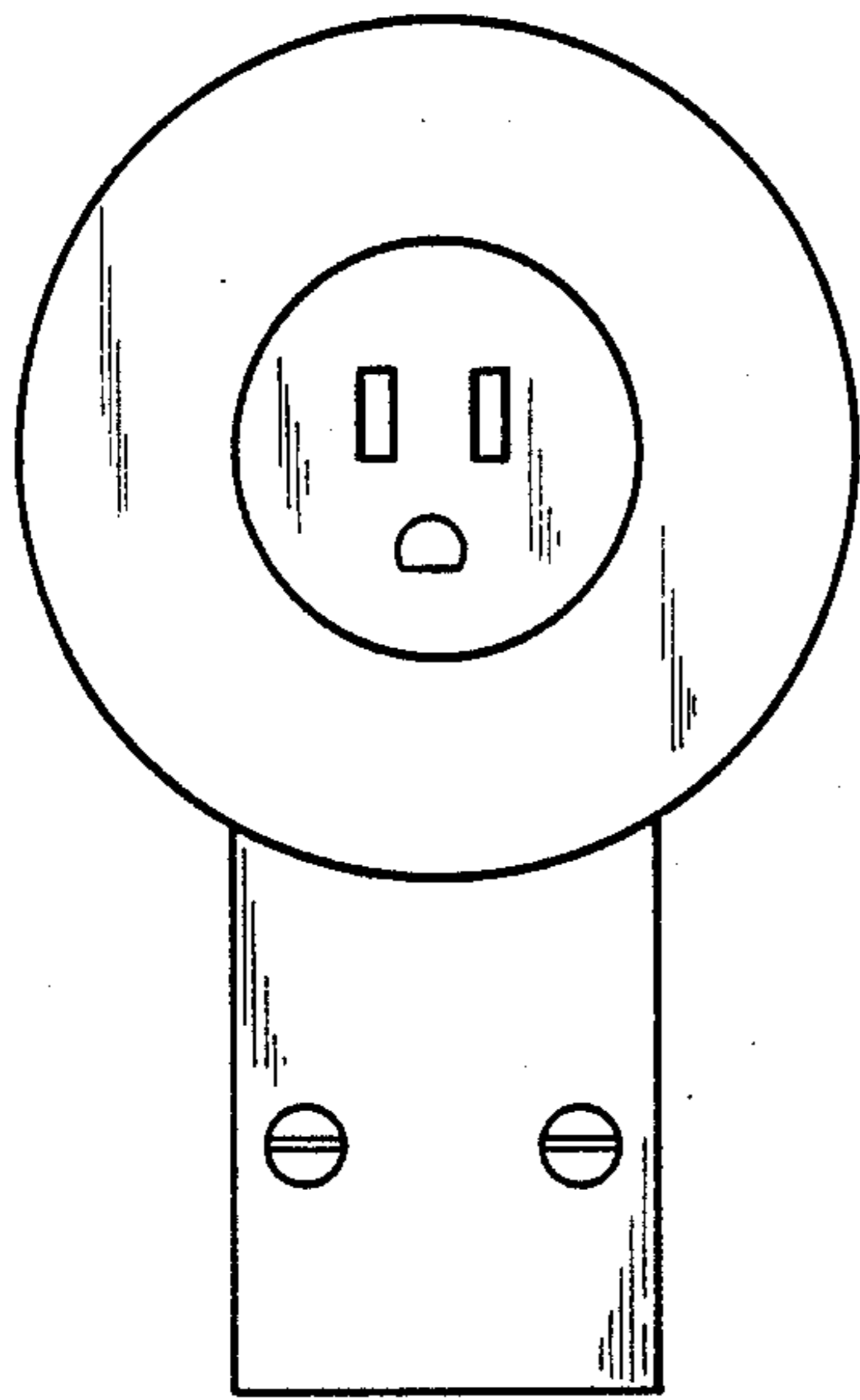


FIG. 1

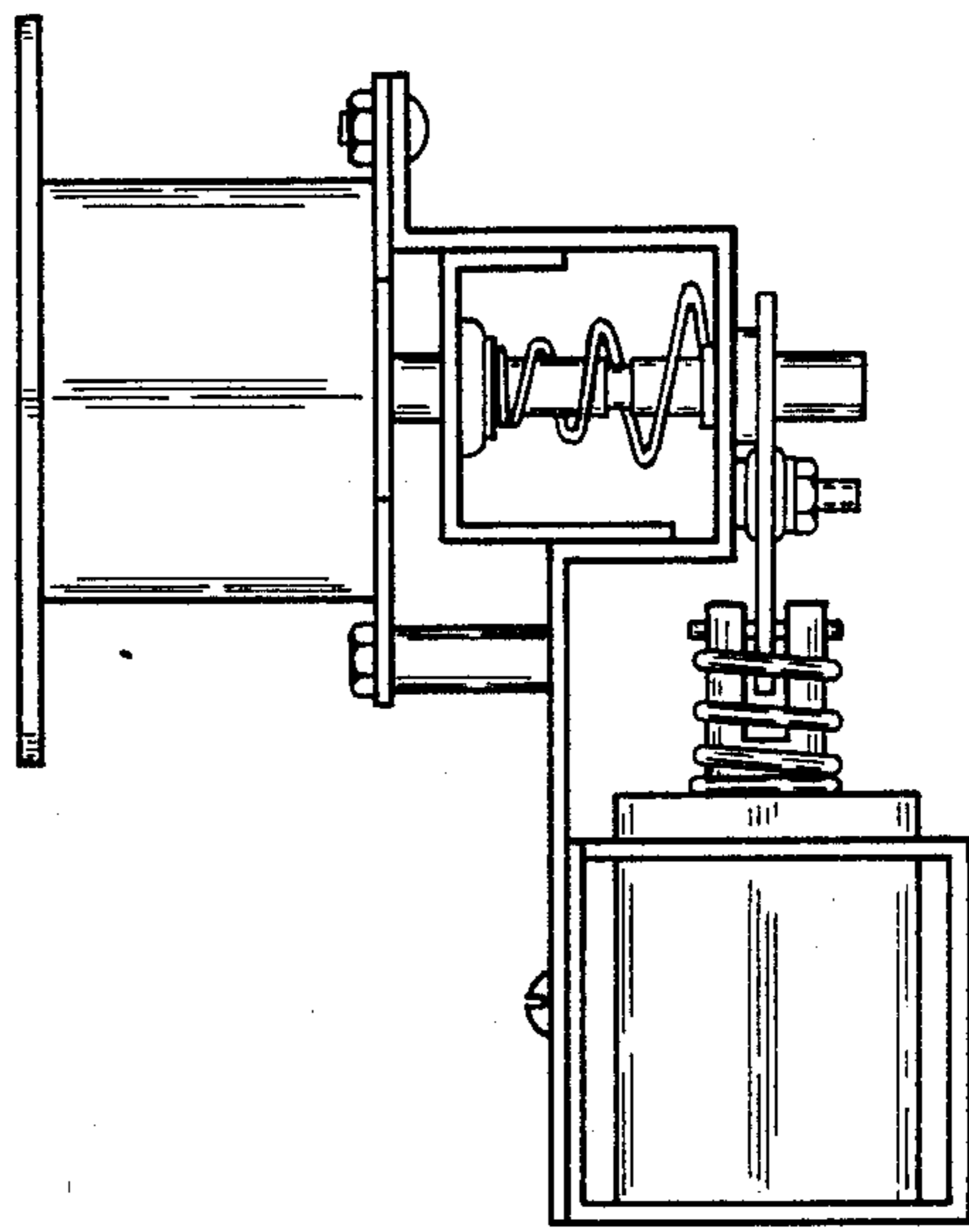


FIG. 2

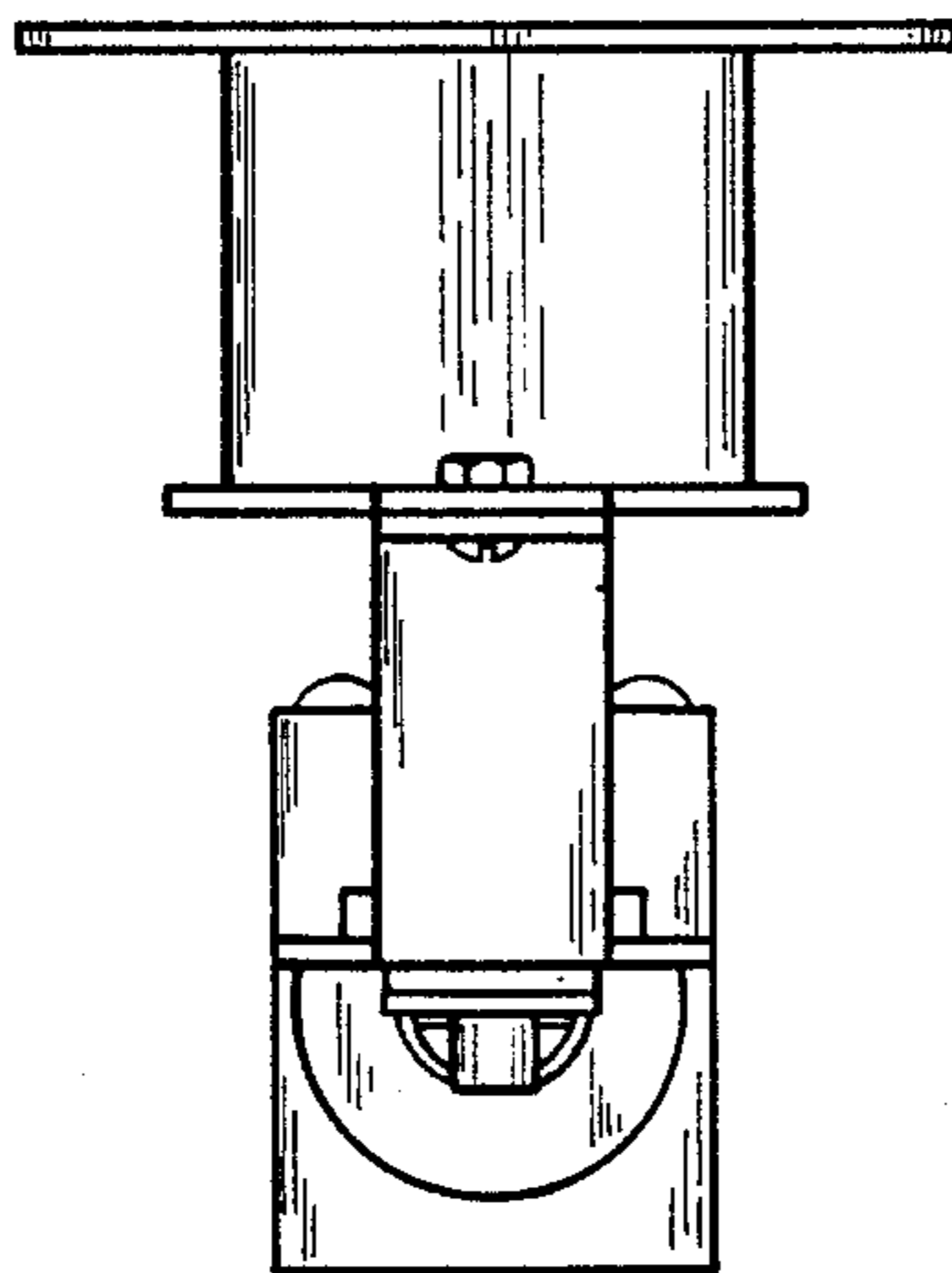


FIG. 3

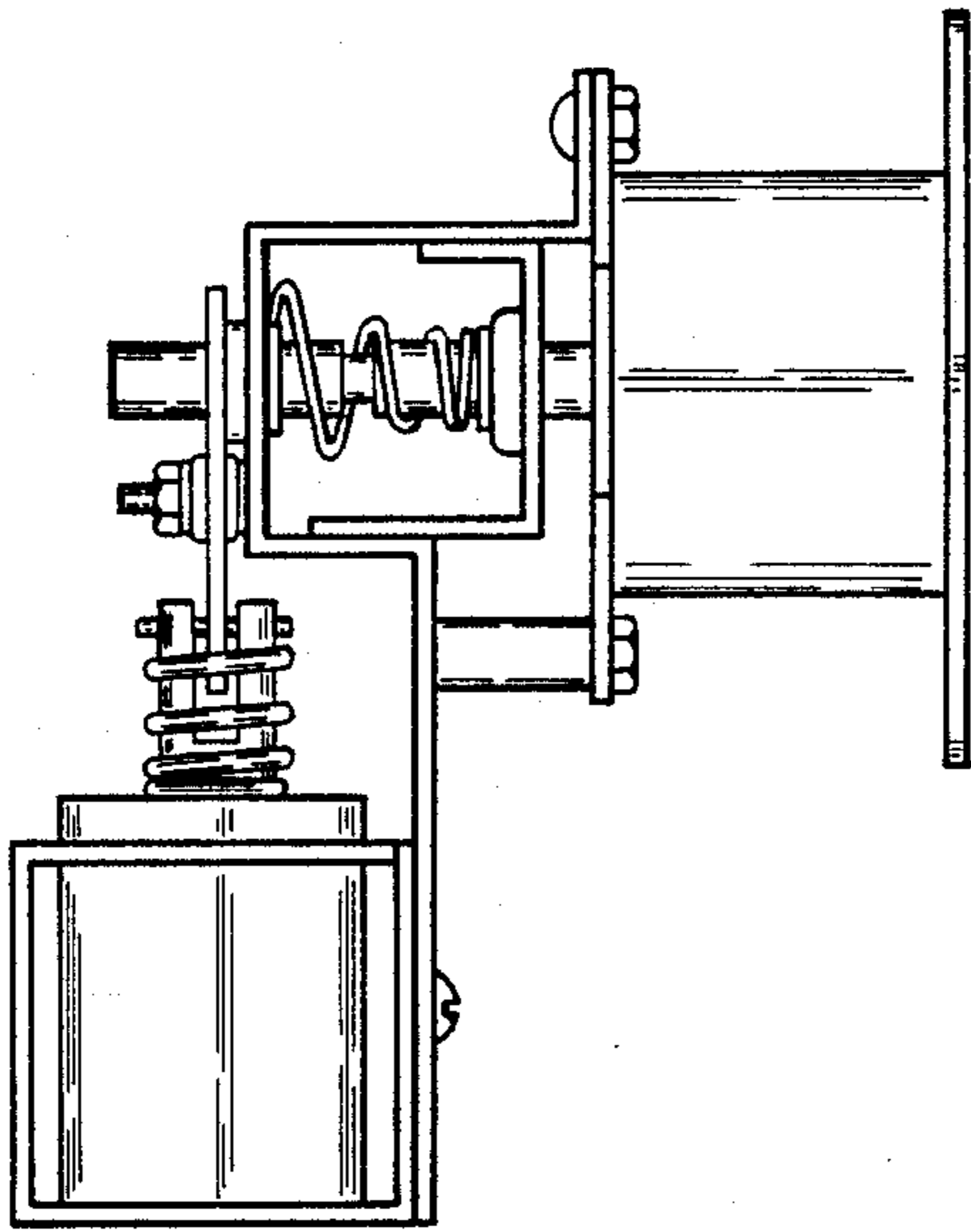


FIG. 4

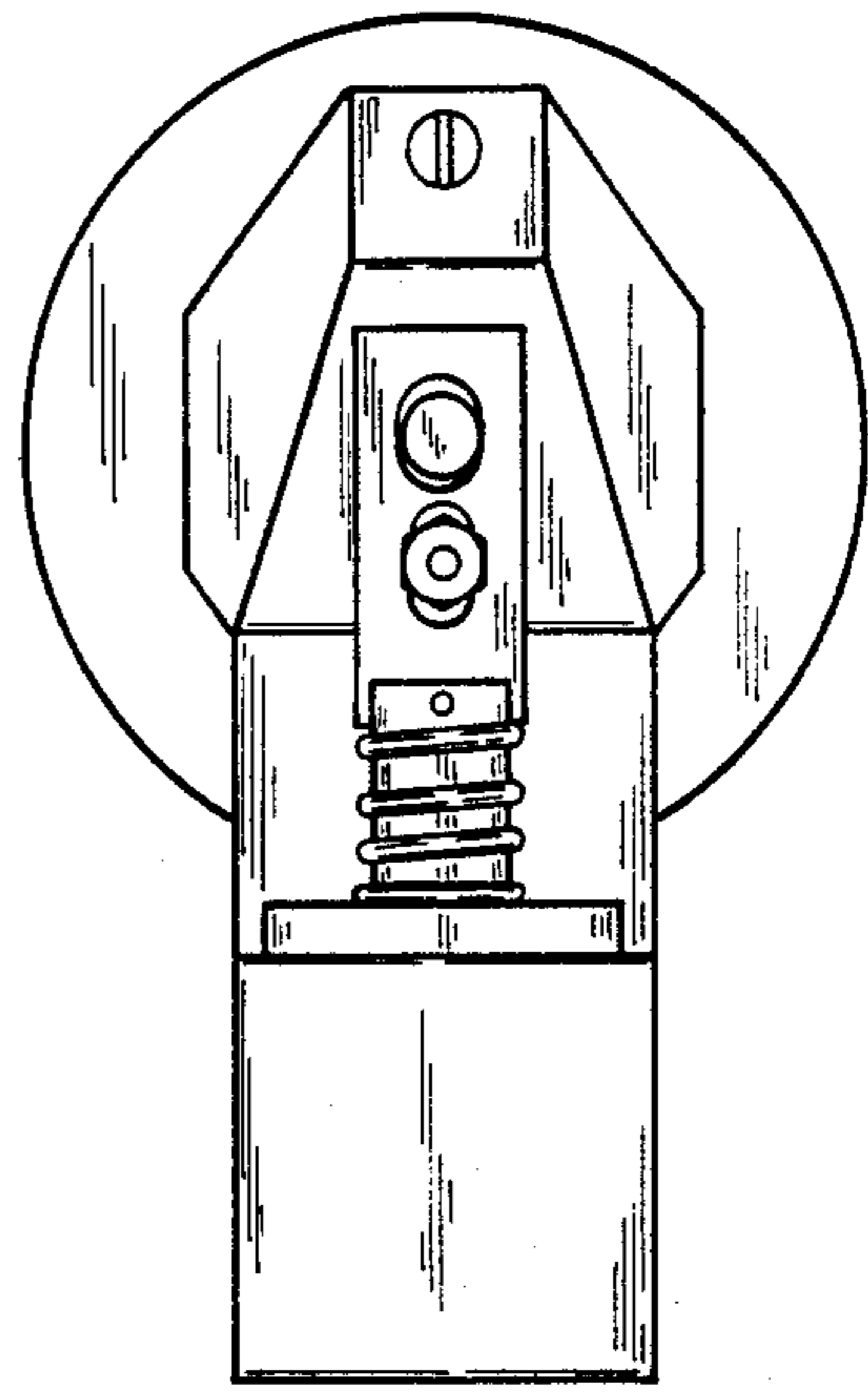


FIG. 5

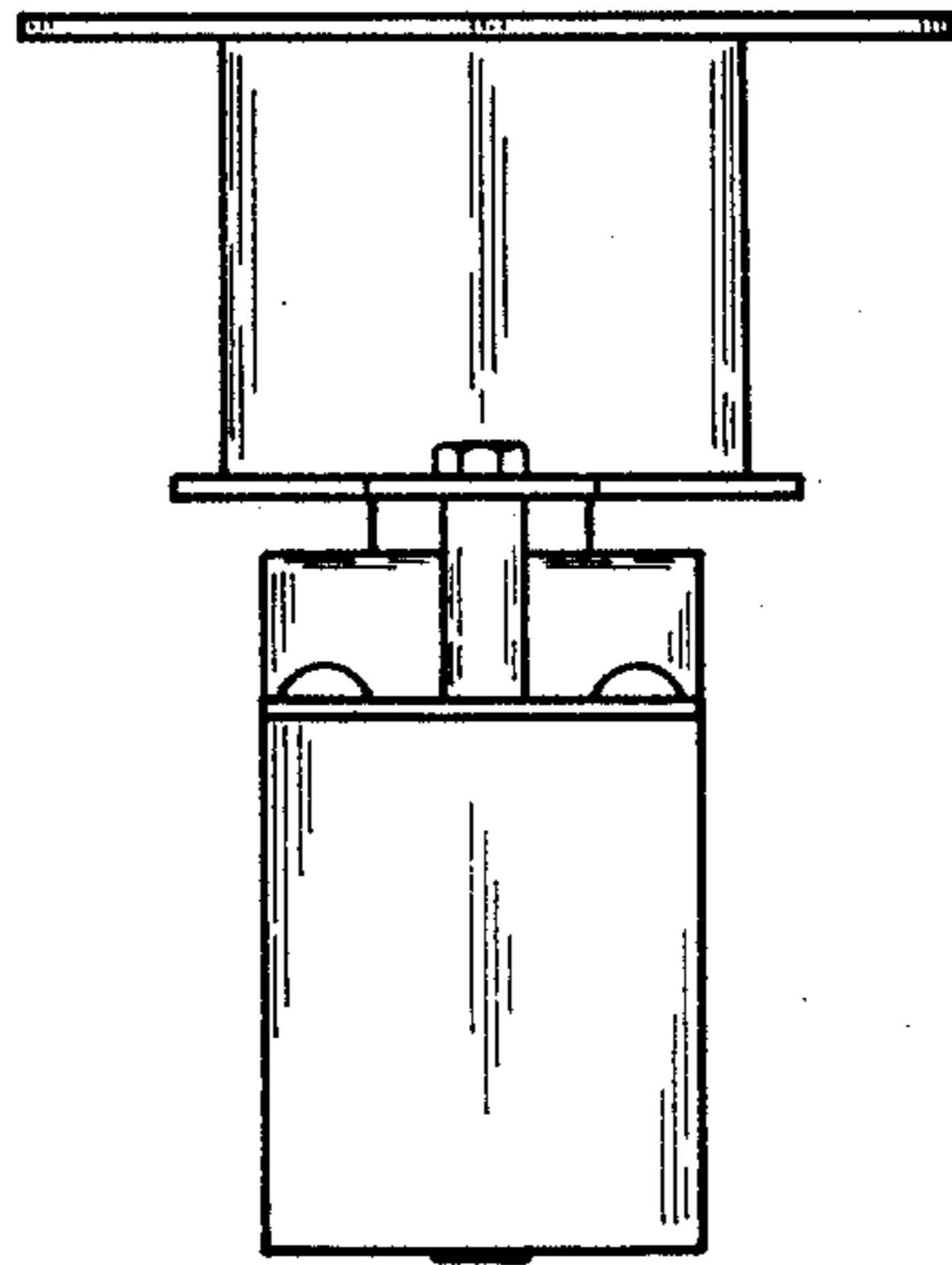


FIG. 6