

[54] MODULAR TELEPHONE JACK

4,494,815 1/1985 Brzostek et al. 439/536

[75] Inventors: Michael Freeman, Marlboro, Mass.;
Sally A. Hattle, Oxford, Conn.;
Stanley Jaskiel, Salem, Mass.;
Stephen Fidrych, Boxborough, Mass.;
Michael Romm, Brighton, Mass.

[73] Assignee: Digital Equipment Corporation,
Maynard, Mass.

[**] Term: 14 Years

[21] Appl. No.: 923,073

[22] Filed: Oct. 24, 1986

[52] U.S. Cl. D14/256; D8/353

[58] Field of Search D13/24, 27-30,
D13/40, 41, 11; D8/350, 353; 439/534, 535,
536, 577, 650, 652, 653; 174/52, 53, 66;
361/331, 334, 394, 395

[56] References Cited

U.S. PATENT DOCUMENTS

D. 299,422 1/1989 Williamson D8/353
4,249,789 2/1981 Lee 439/650
4,411,485 10/1983 Wiseheart et al. 439/536 X

OTHER PUBLICATIONS

Suttle Apparatus Corp. "Guide to Telephone Wiring",
1985, p. 10, SE-468A Adapter.

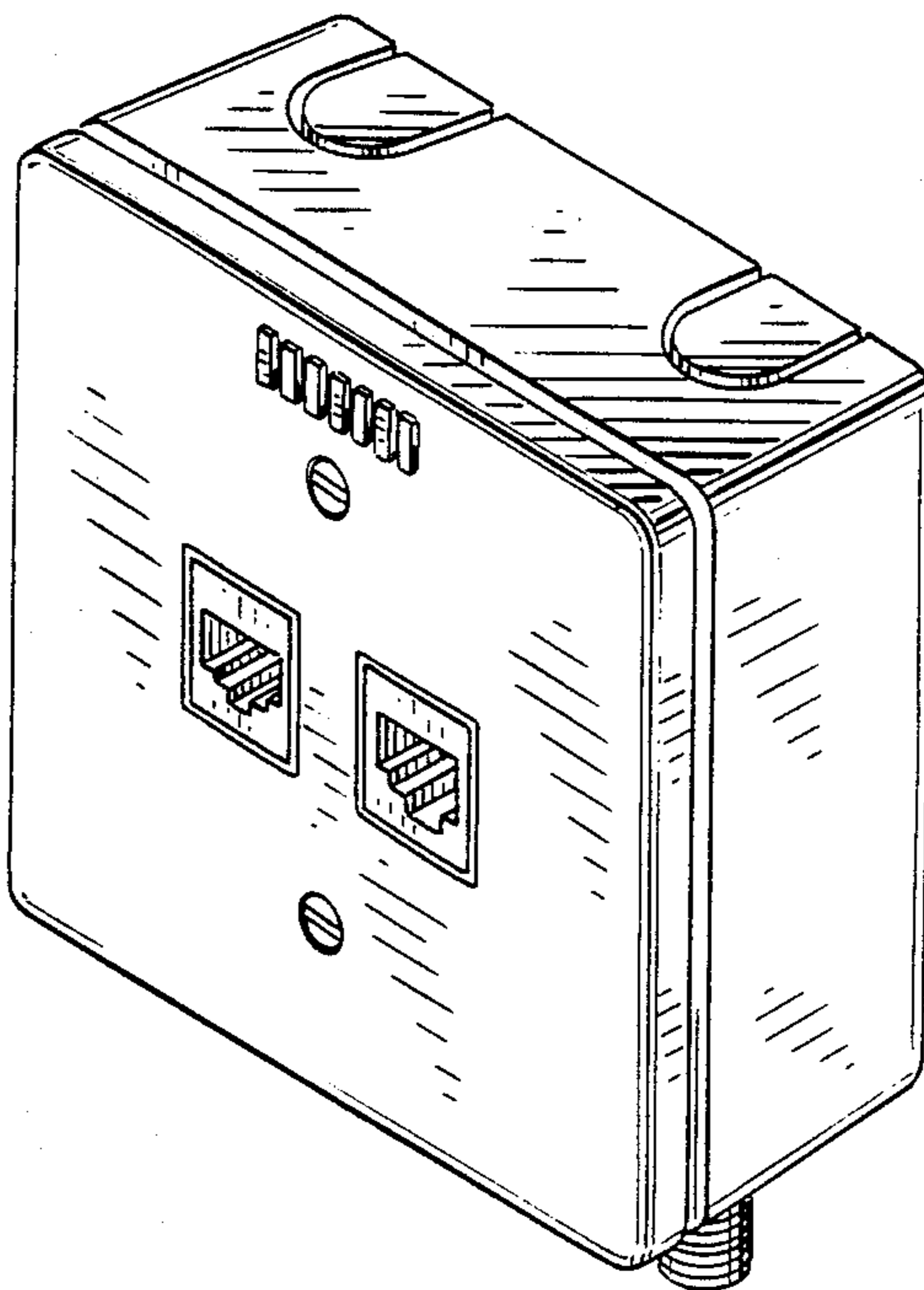
Primary Examiner—Susan J. Lucas
Attorney, Agent, or Firm—Kenyon & Kenyon

[57] CLAIM

The ornamental design for a modular telephone jack, as
shown and described.

DESCRIPTION

FIG. 1 is a top, front perspective view of a modular
telephone jack showing our new design;
FIG. 2 is a bottom, rear perspective view thereof;
FIG. 3 is a front, elevational view thereof;
FIG. 4 is a rear elevational view thereof;
FIG. 5 is a top plan view thereof;
FIG. 6 is a bottom plan view thereof;
FIG. 7 is a right side elevational view thereof;
FIG. 8 is a left-side elevational view thereof;
FIG. 9 is a bottom rear perspective view of a second
embodiment of our new design, the top, front, and op-
posite side of the second embodiment being identical to
those of the first embodiment.



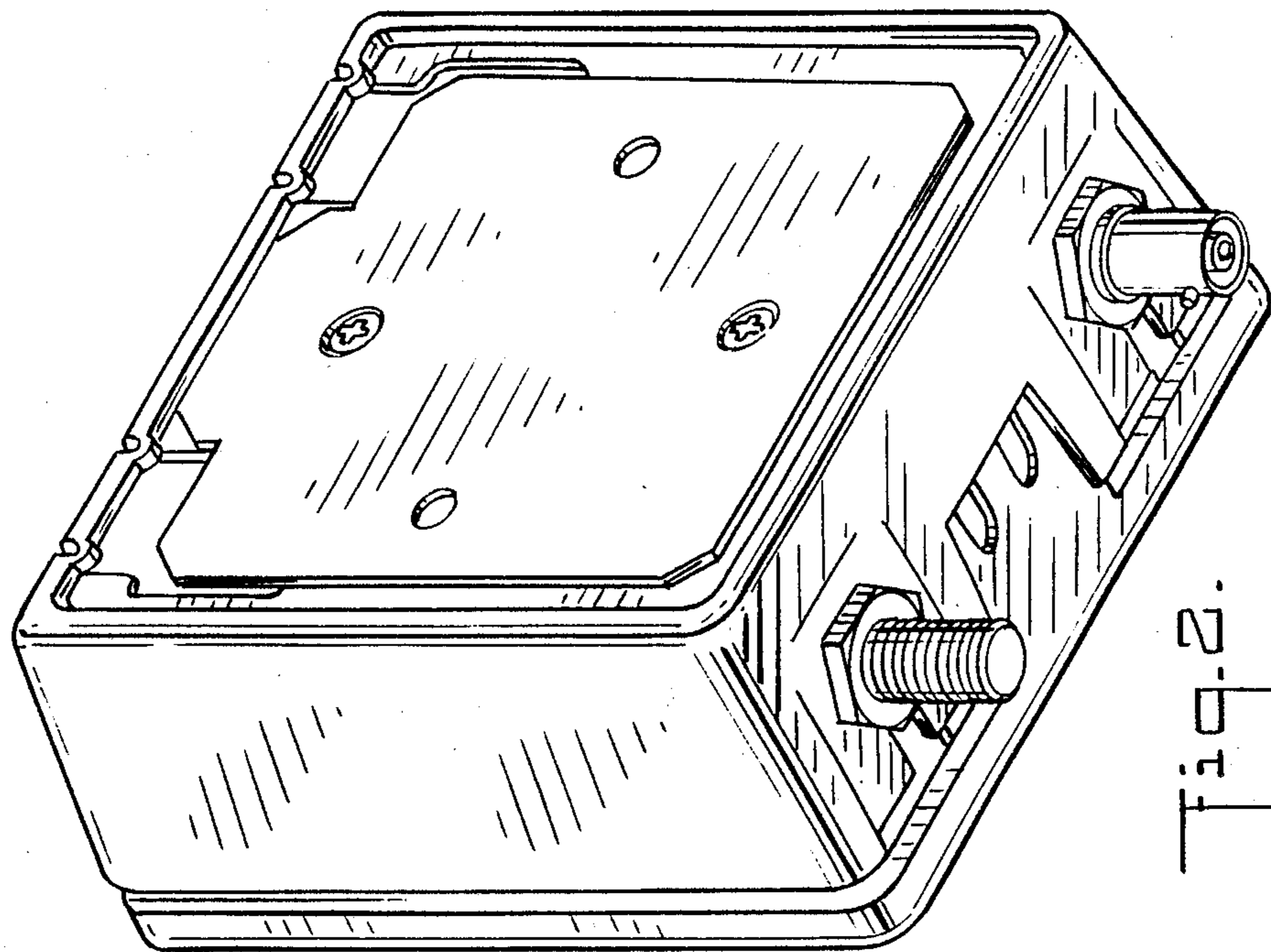


Fig. 2.

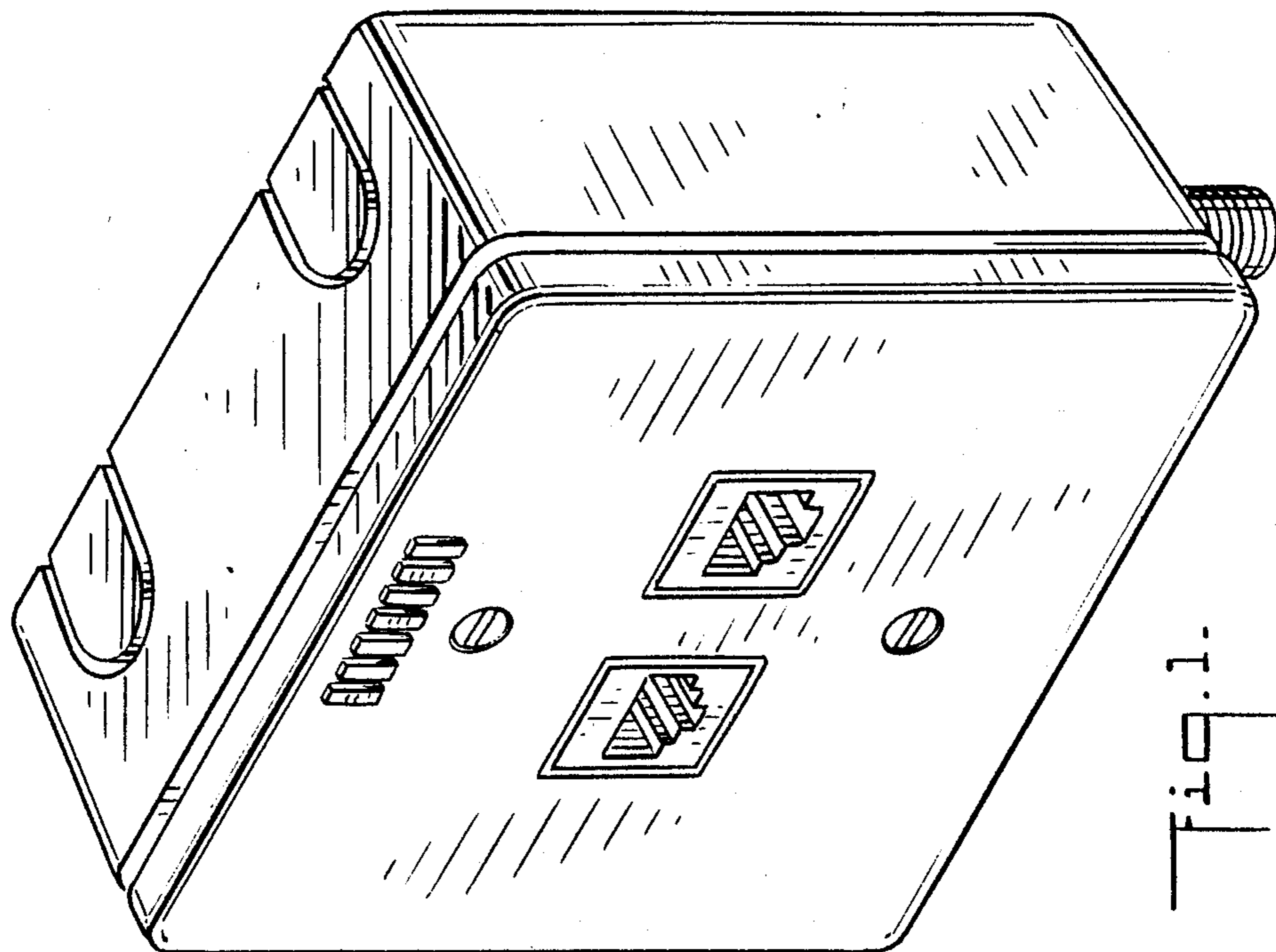


Fig. 1.

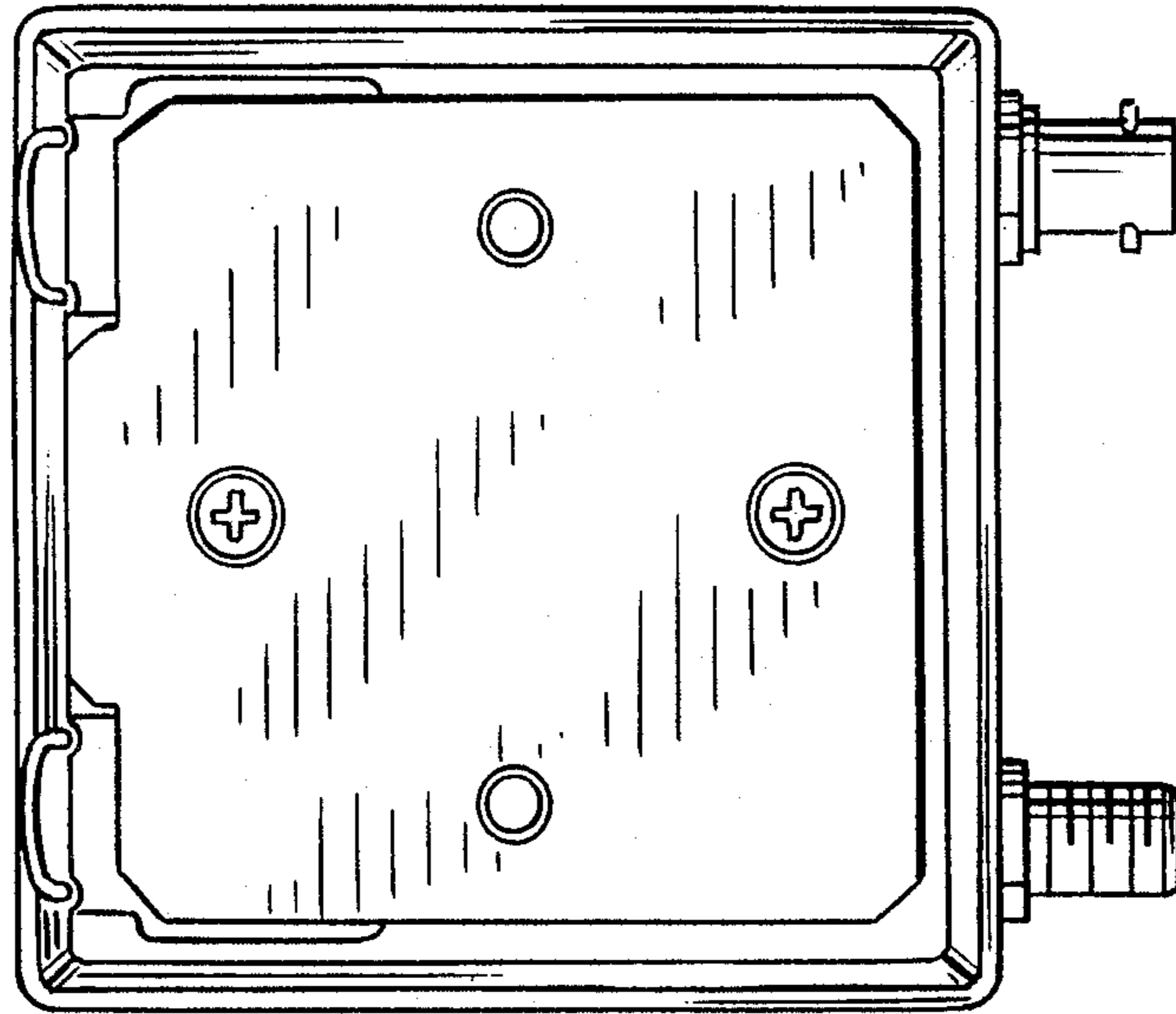


Fig. 4.

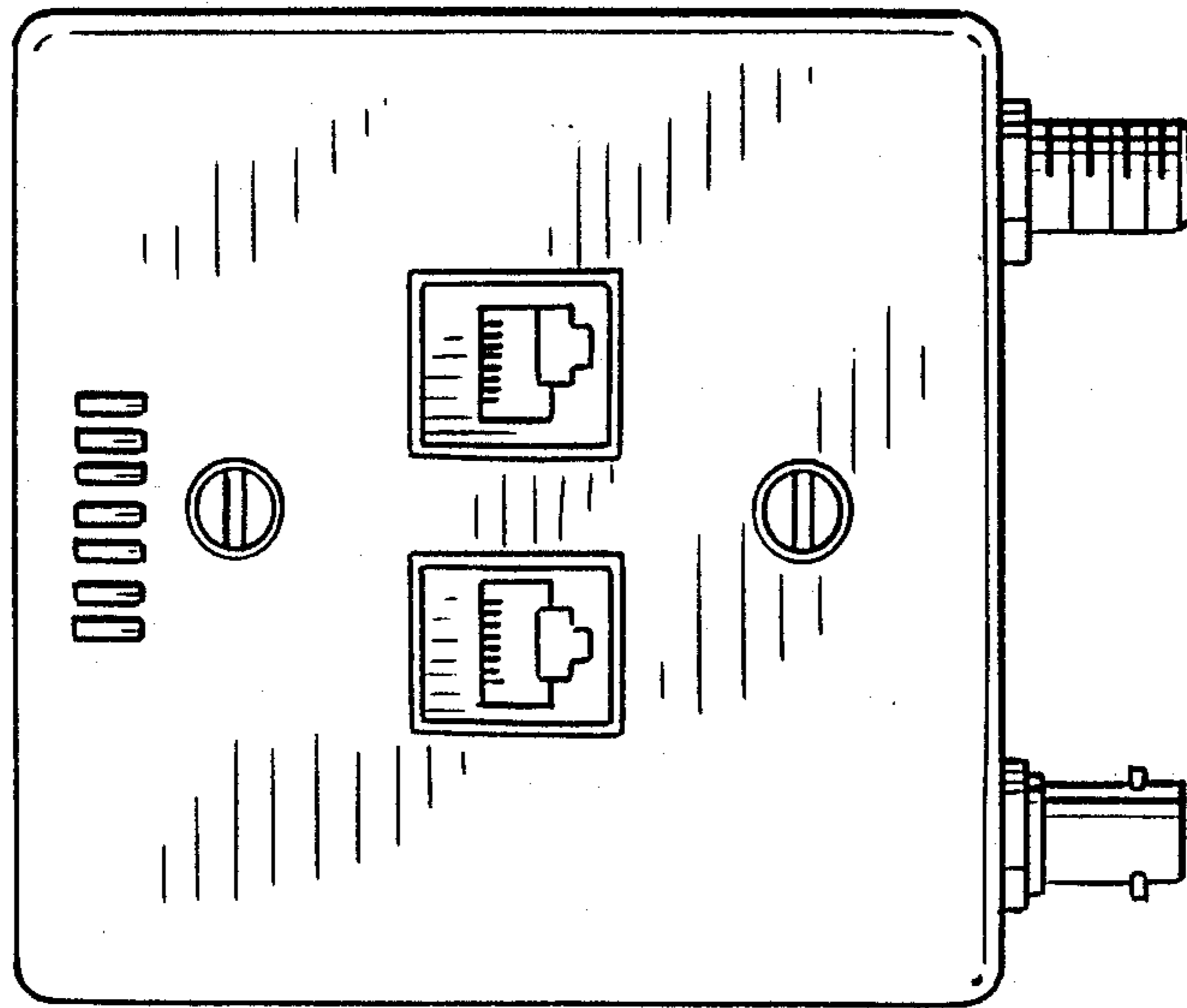


Fig. 3.

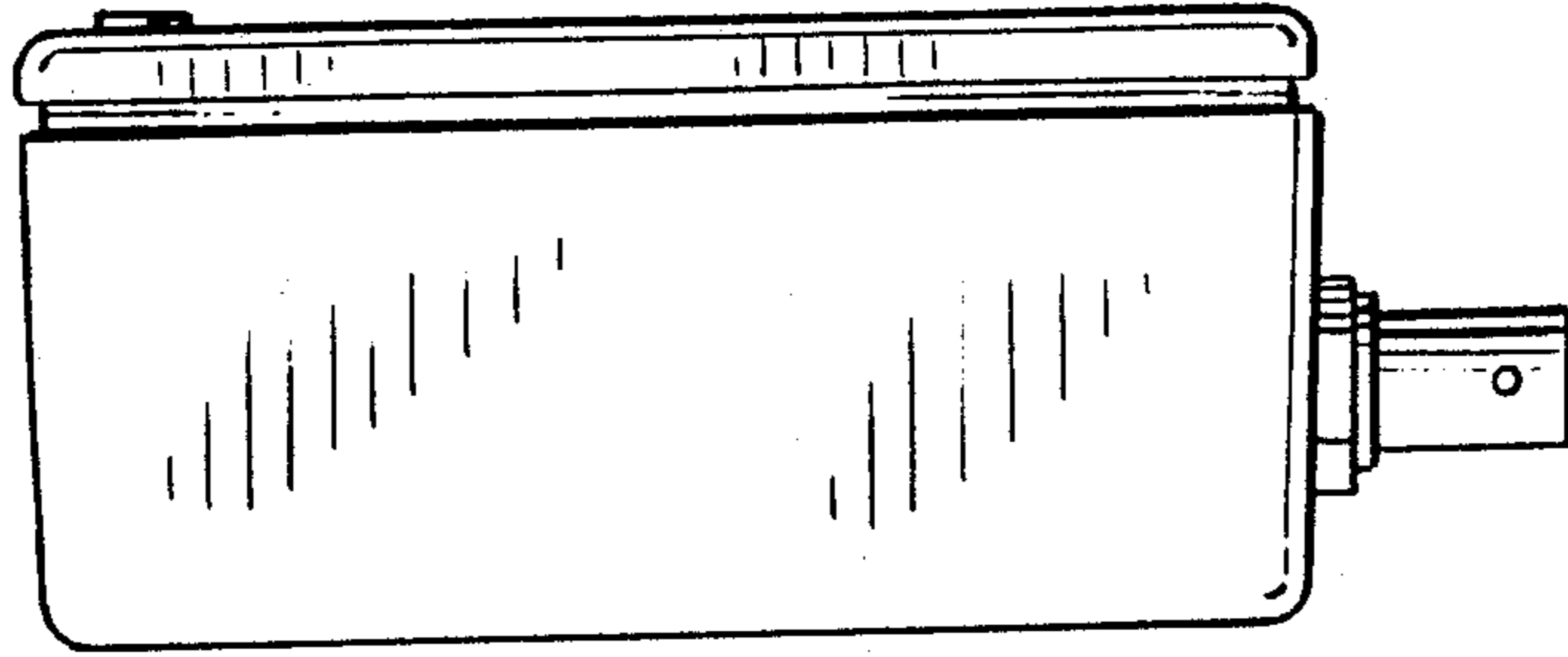


Fig. 1.

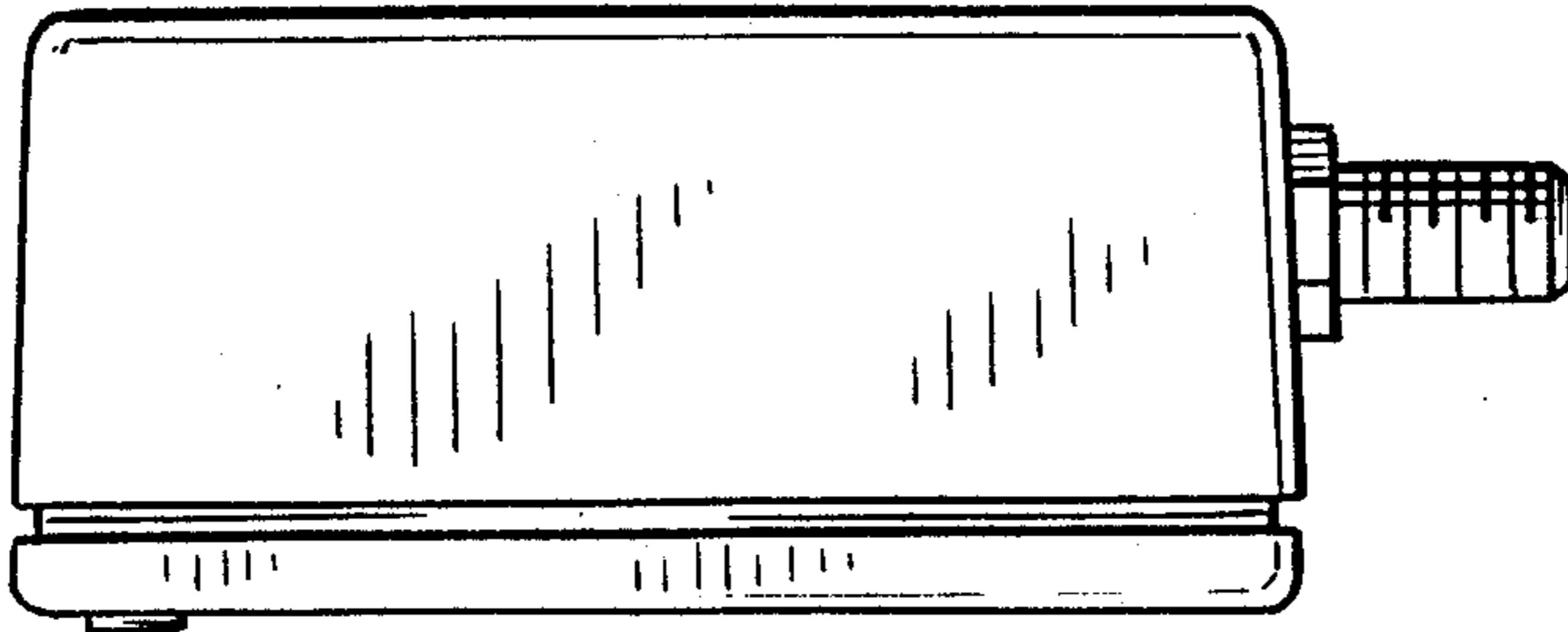


Fig. 2.

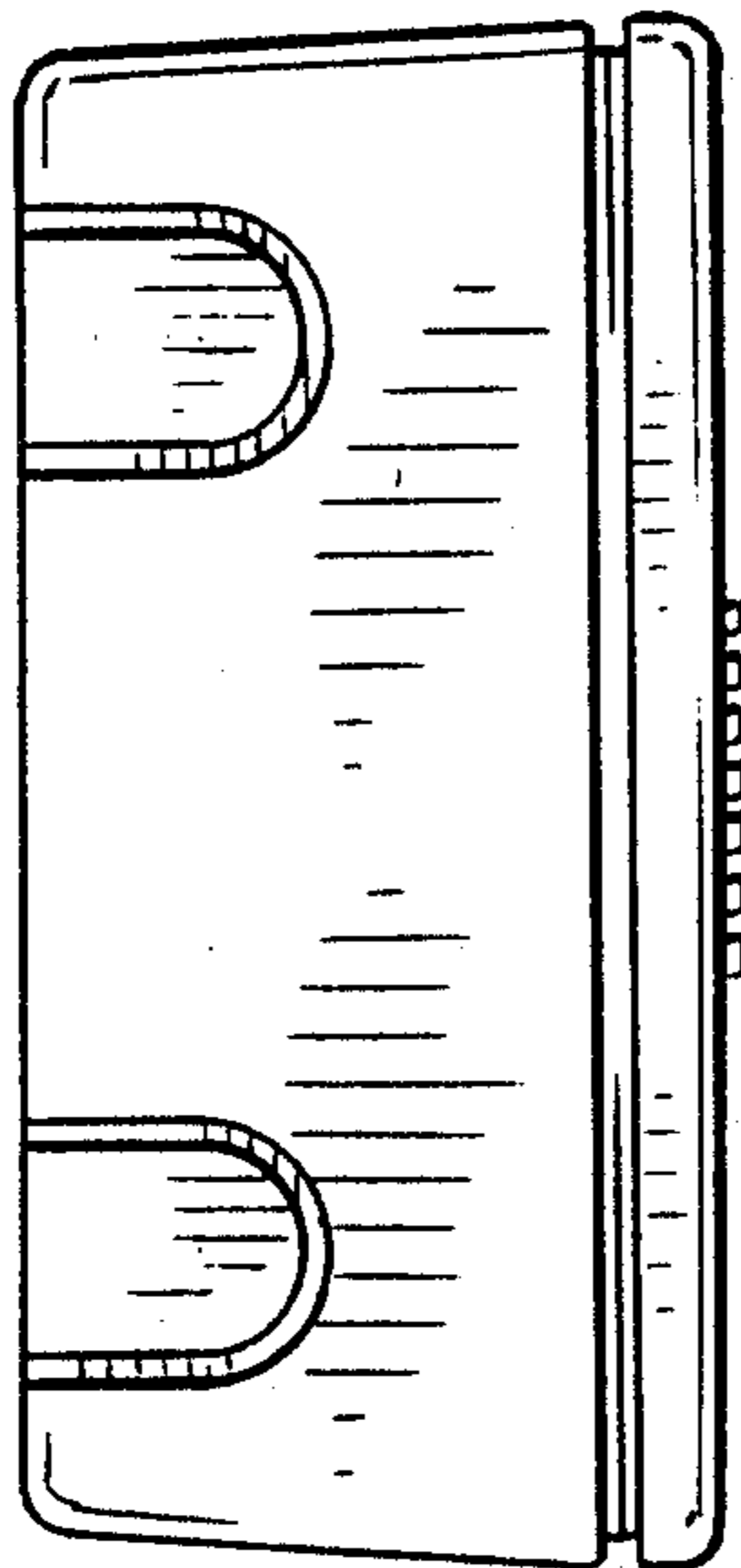


Fig. 3.

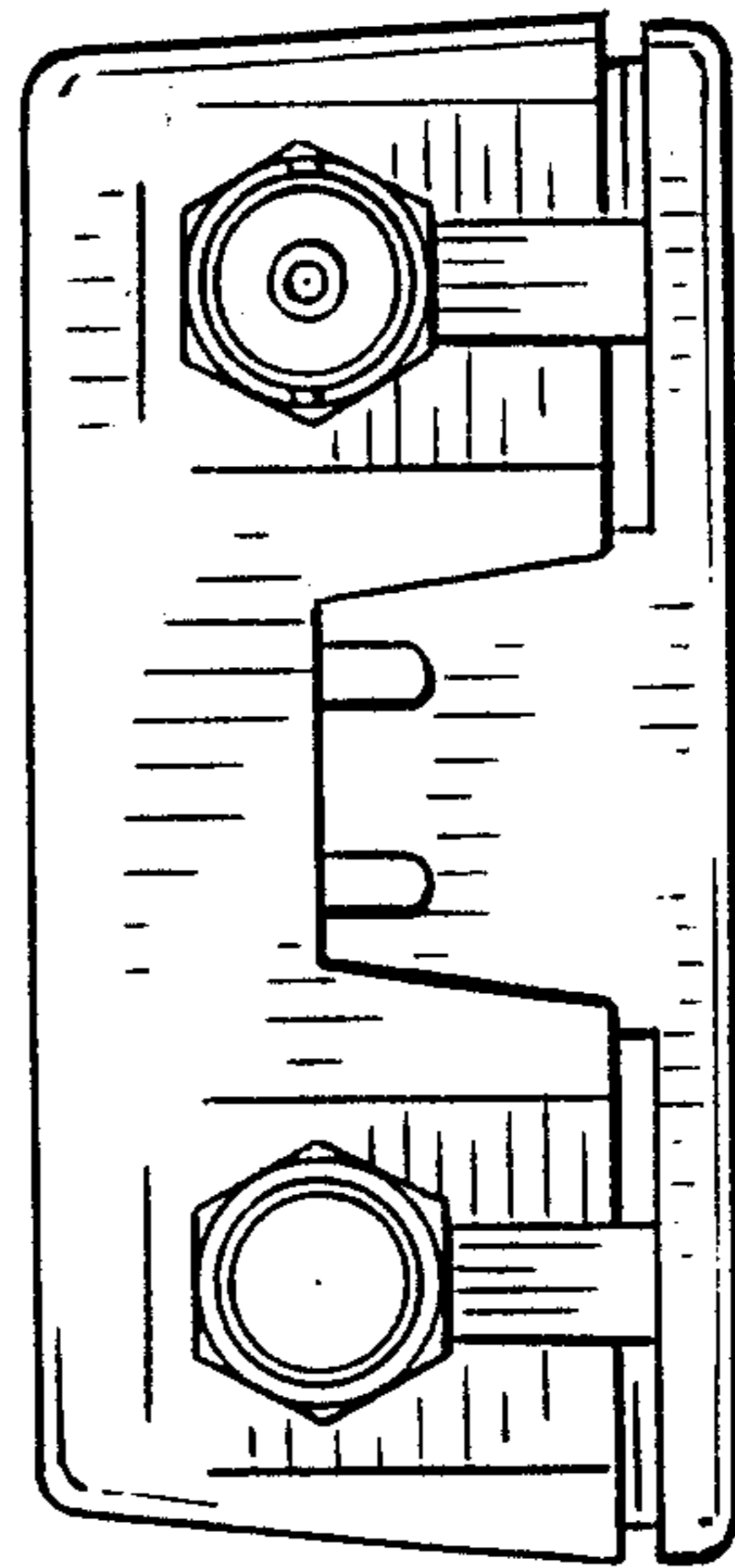


Fig. 4.

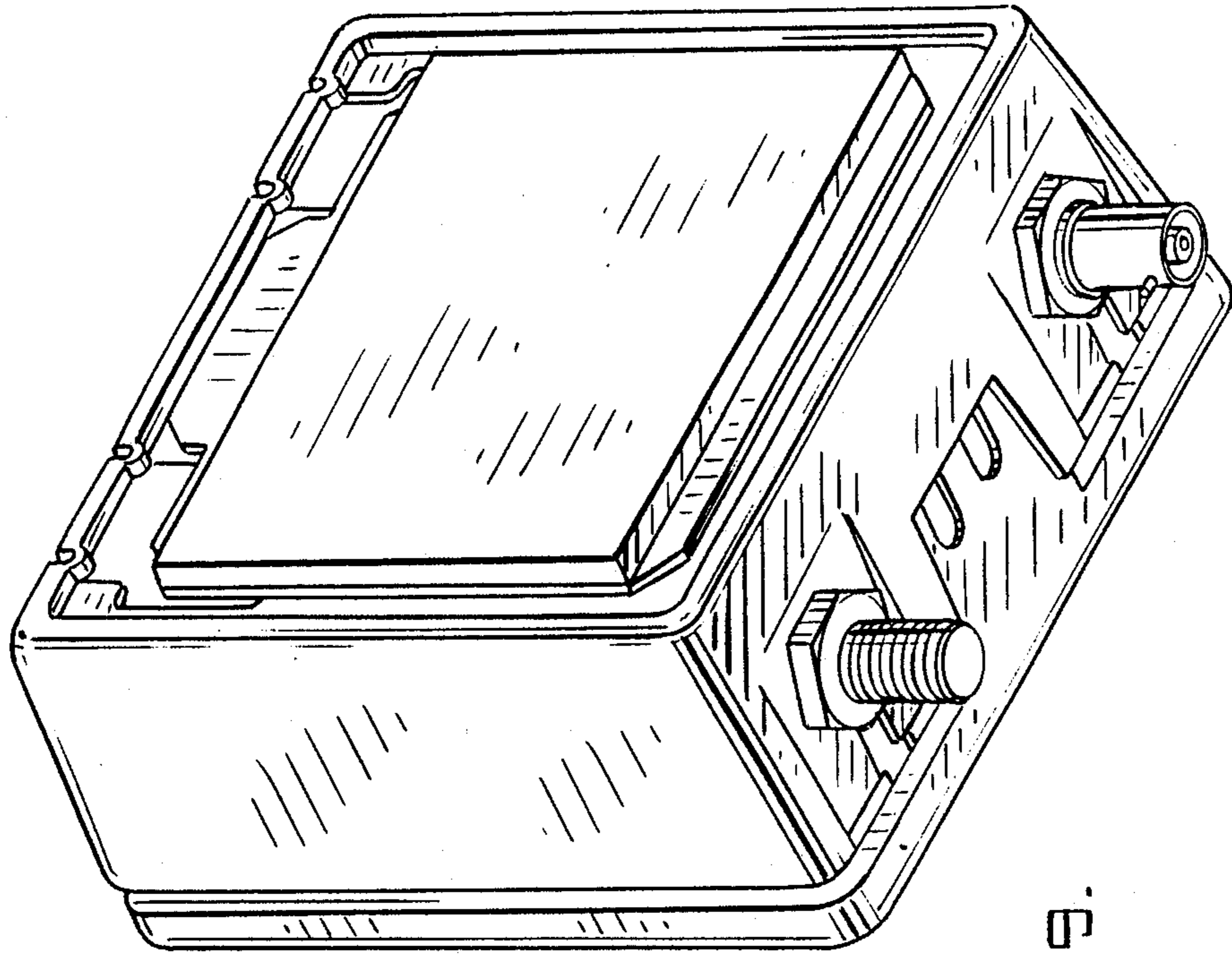


Fig. 3.