

[54] BABY STROLLER

[75] Inventors: Takehiko Takahashi; Hitoshi Katou; Masatoshi Doi; Tomihiro Kaneko, all of Tokyo, Japan

[73] Assignee: Combi Co., Ltd., Tokyo, Japan

[**] Term: 14 Years

[21] Appl. No.: 166,848

[22] Filed: Mar. 10, 1988

[30] Foreign Application Priority Data

Sep. 28, 1987 [JP] Japan 62-39087

[52] U.S. Cl. D12/129

[58] Field of Search D12/129, 128; 280/642, 280/643, 644, 650, 647, 658, 30, 42; 297/45, 39

[56] References Cited

U.S. PATENT DOCUMENTS

- D. 293,661 1/1988 Nakao et al. D12/129
- D. 296,313 6/1988 Kujawski D12/129
- 3,227,484 1/1966 Merclean D12/129
- 4,817,982 4/1989 Kassai D12/129

- 4,832,354 5/1989 LaFreniere D12/129
- 4,846,521 7/1989 Takahashi et al. 280/643

FOREIGN PATENT DOCUMENTS

- 258826 3/1988 European Pat. Off. 280/642

Primary Examiner—Wallace R. Burke
Assistant Examiner—Kay H. Chin
Attorney, Agent, or Firm—Sughrue, Mion, Zinn, Macpeak & Seas

[57] CLAIM

The ornamental design for a baby stroller, as shown and described.

DESCRIPTION

FIG. 1 is a front, top and right side perspective view of a baby stroller showing our new design; FIG. 2 is a front elevational view thereof; FIG. 3 is a rear elevational view thereof; FIG. 4 is a top plan view thereof; FIG. 5 is a bottom plan view thereof; FIG. 6 is a left side elevational view thereof; FIG. 7 is a right side elevational view thereof; and FIG. 8 is a perspective view thereof in folded condition.

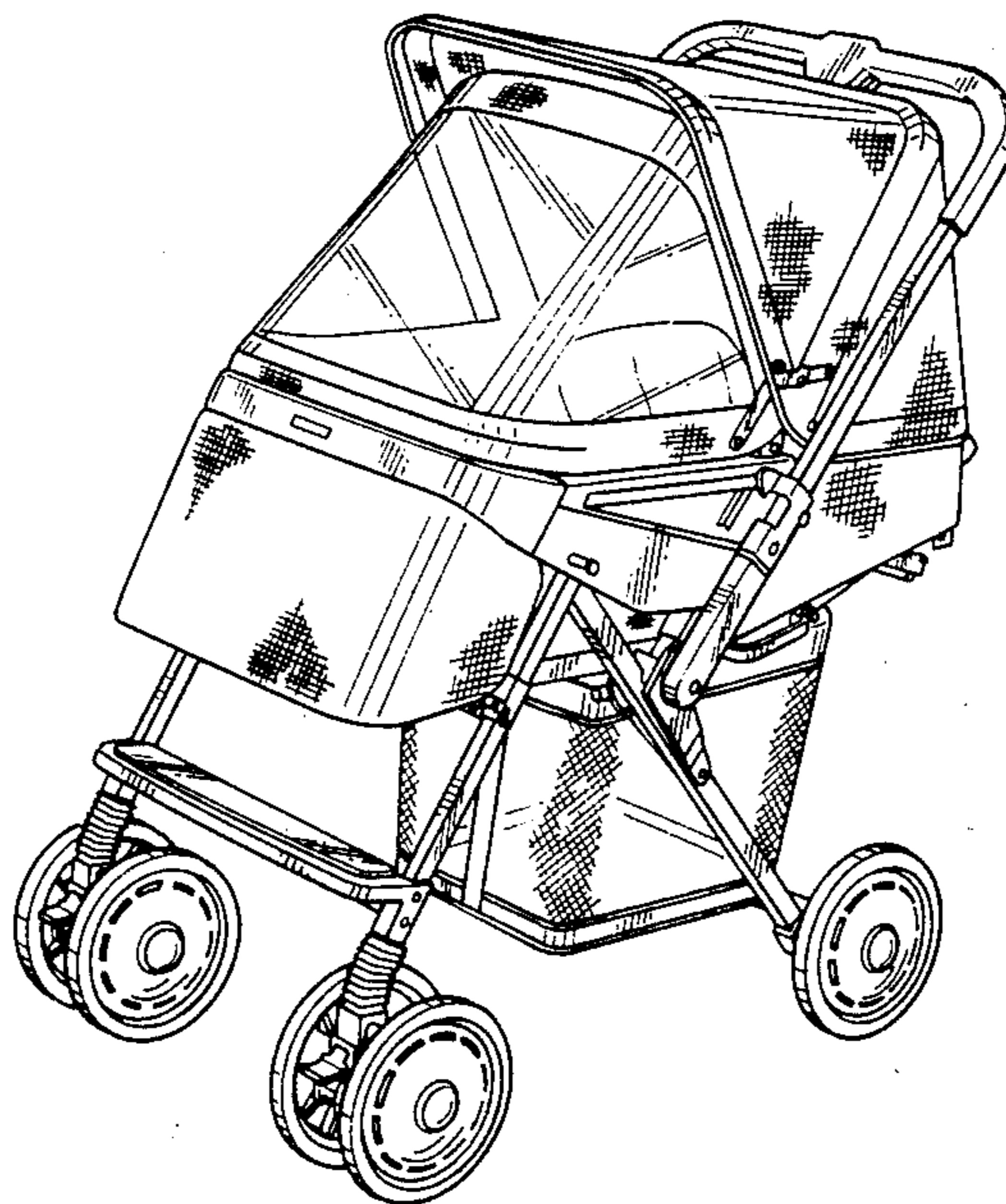


Fig. 1

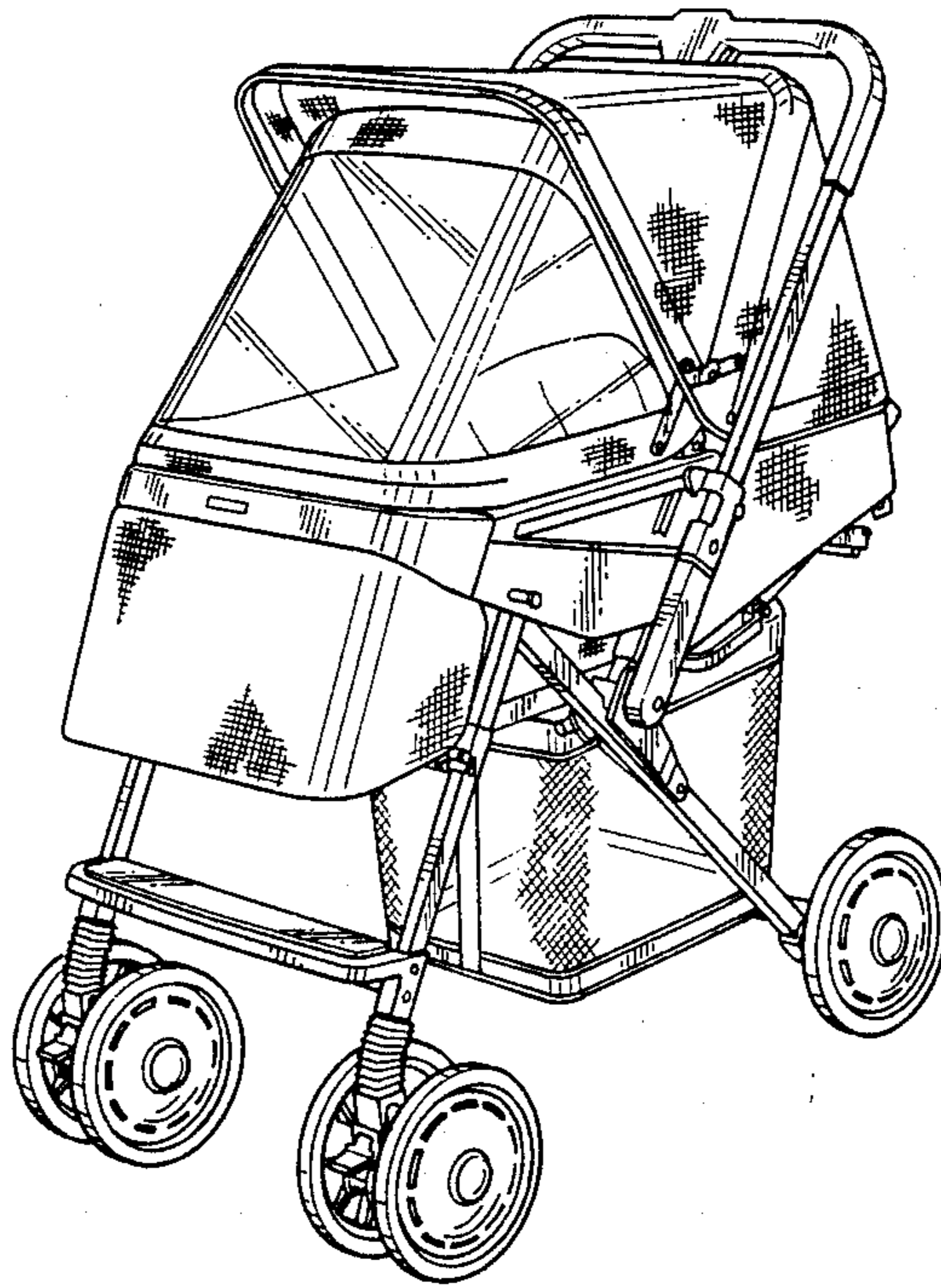


Fig. 2

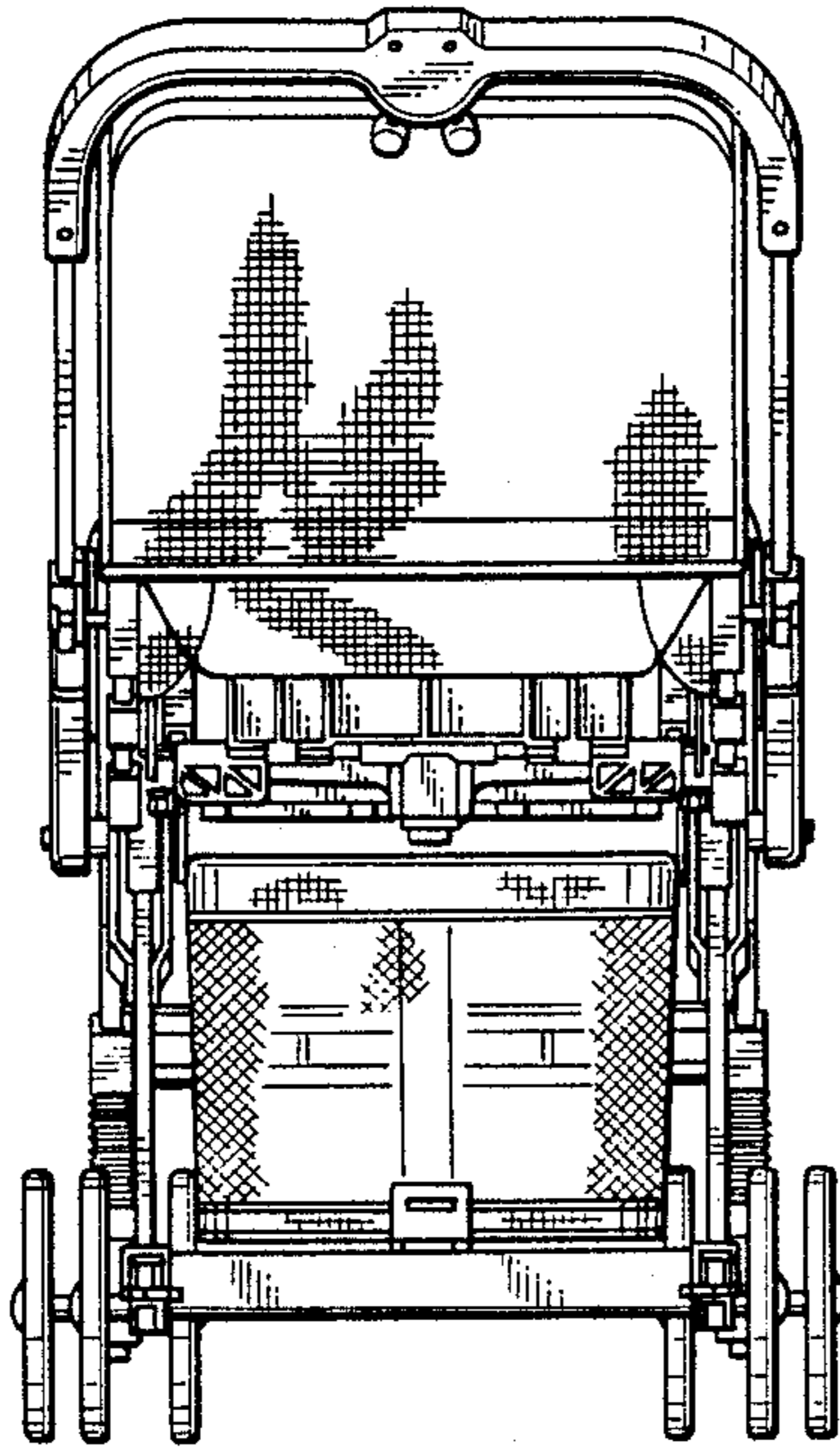
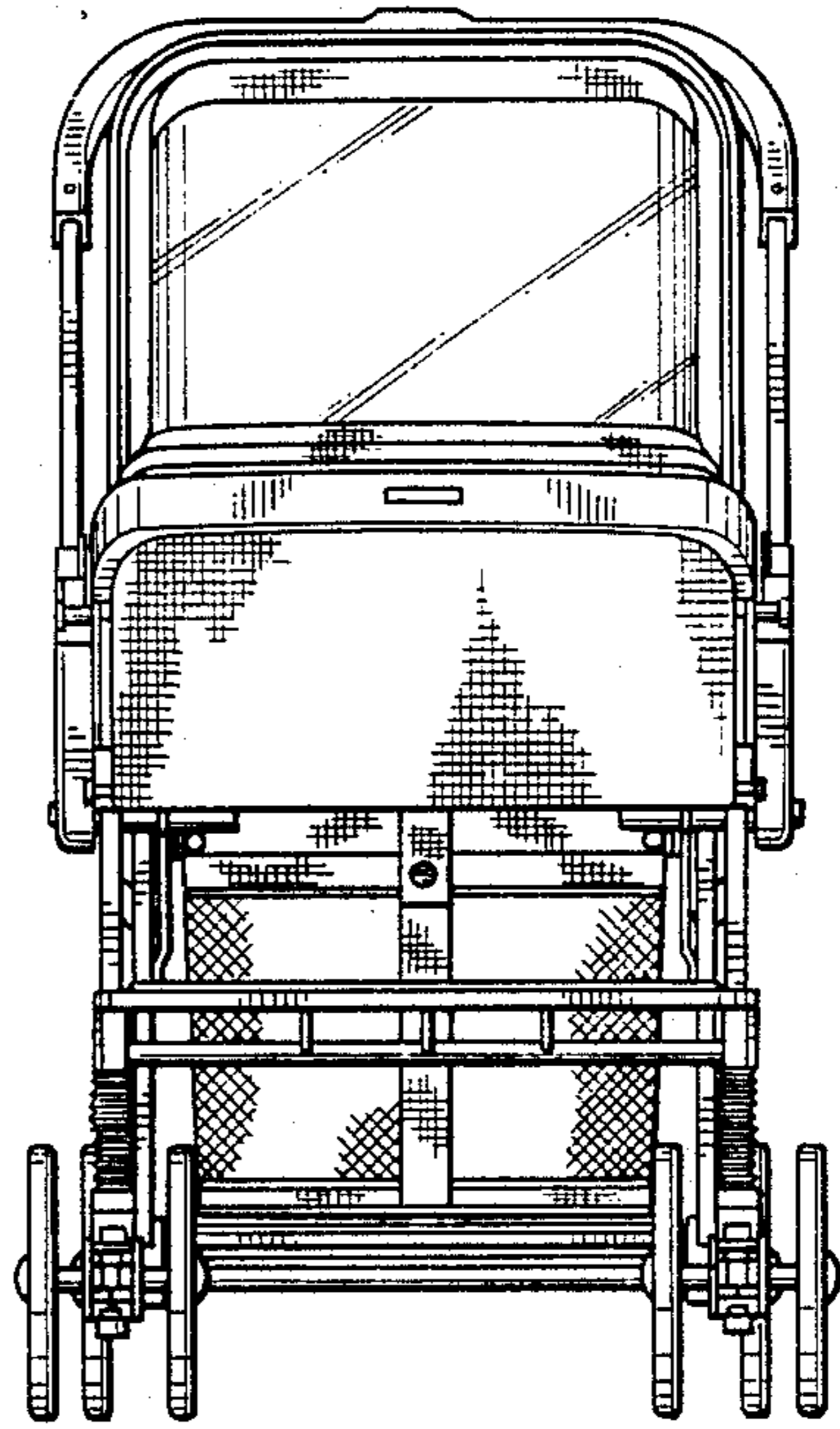


Fig. 3

Fig. 4

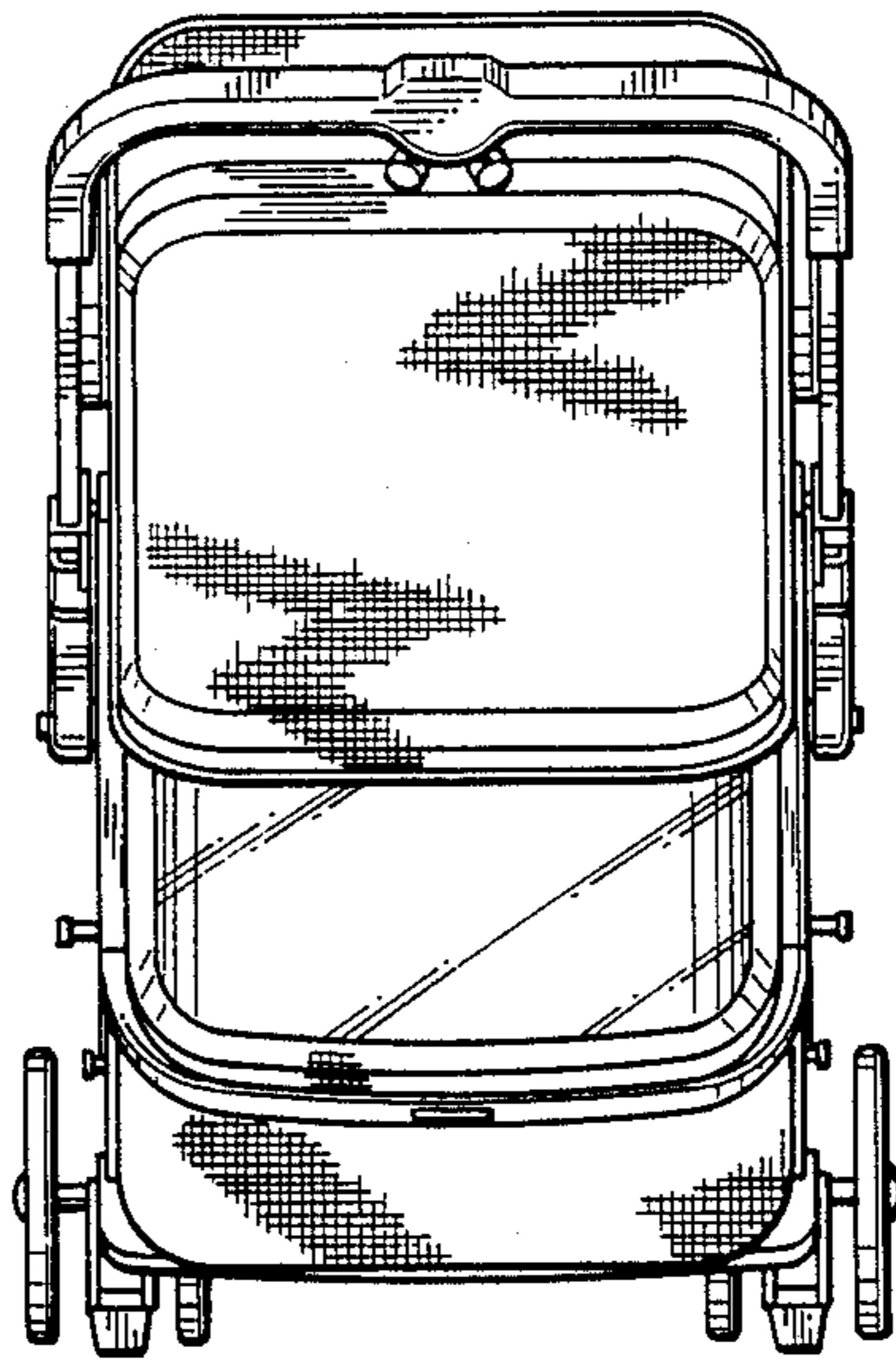


Fig. 5

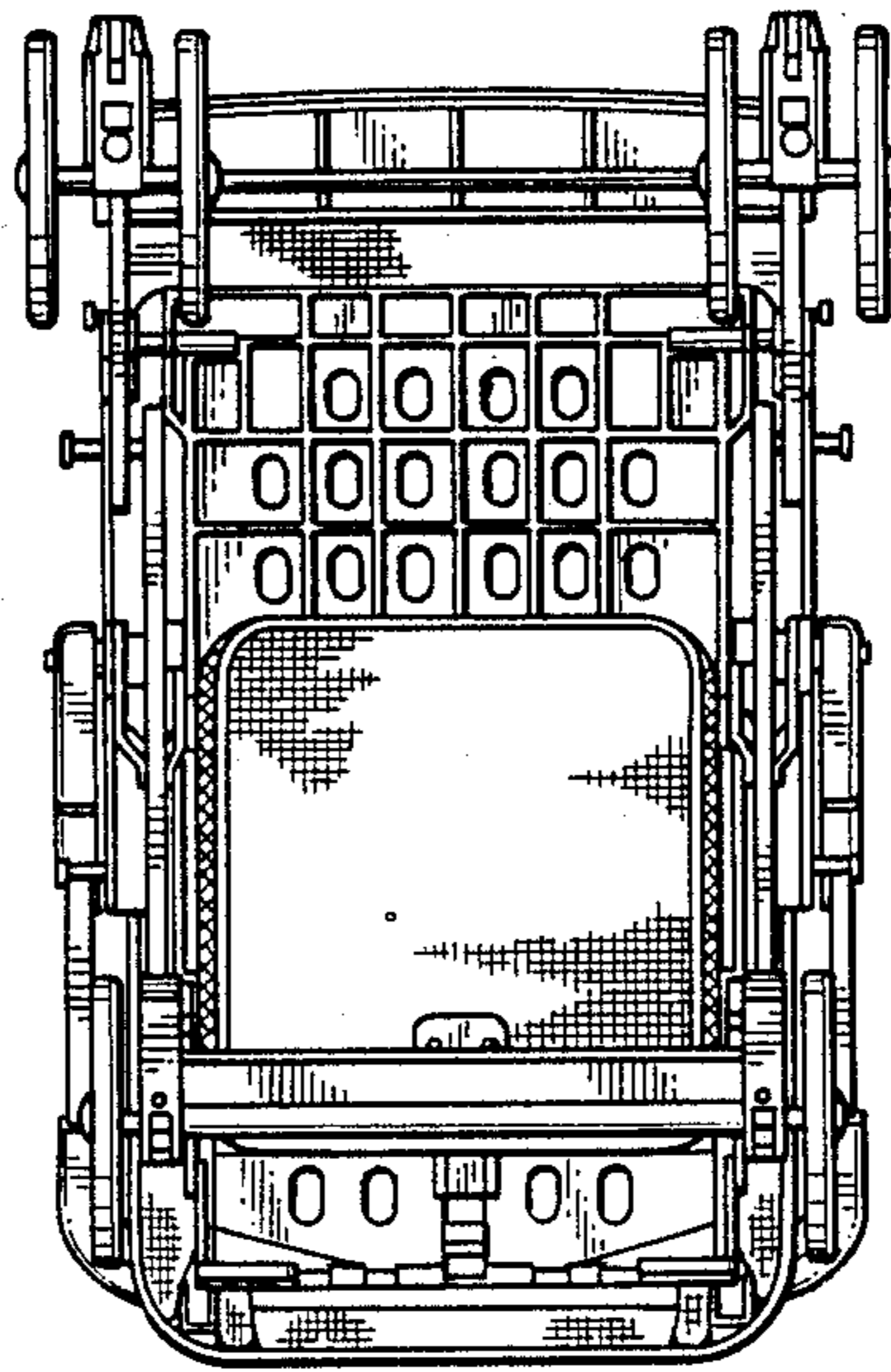


Fig. 6

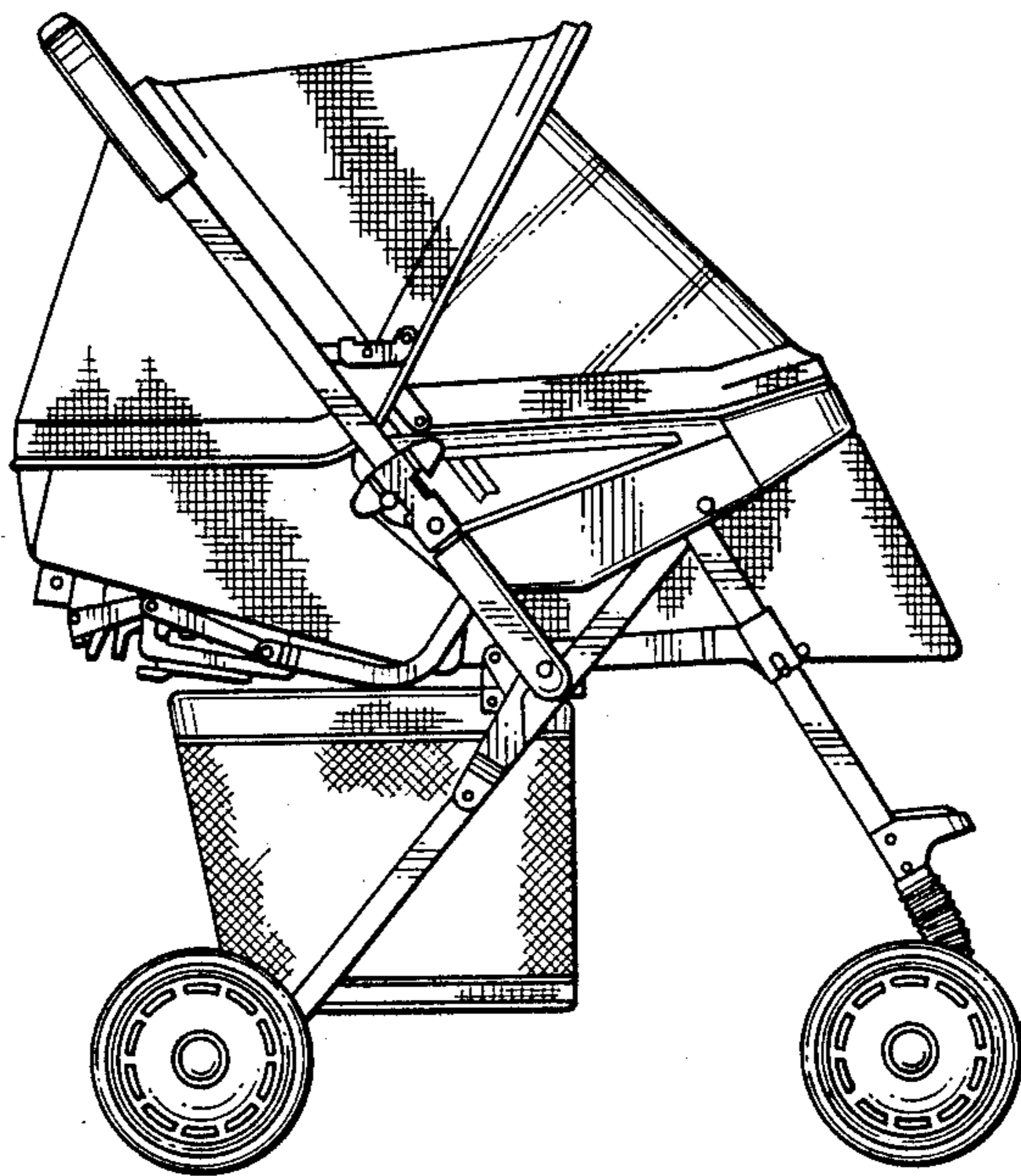


Fig. 7

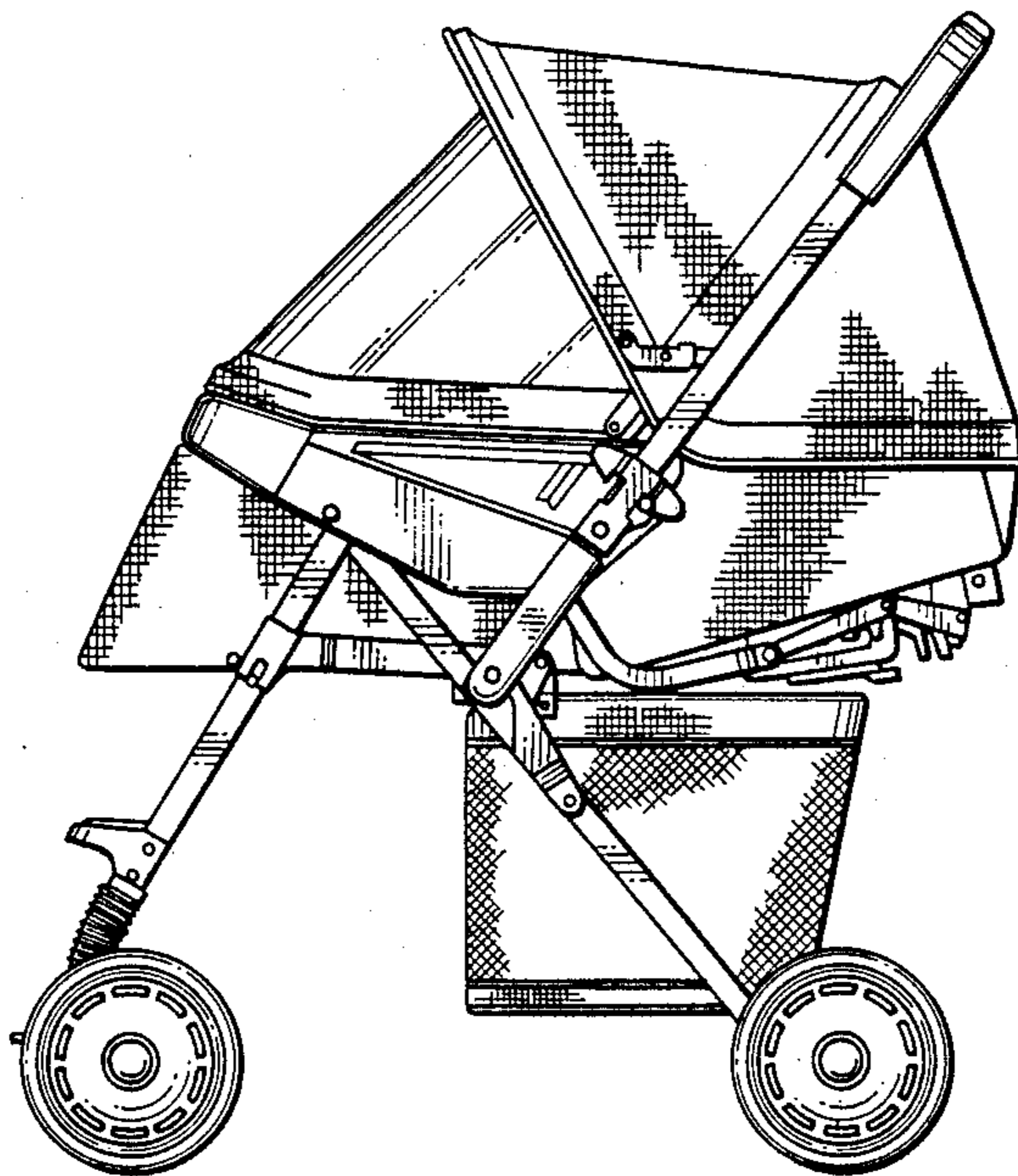


Fig. 8

