

[54] EARRING OR SIMILAR ARTICLE

D. 269,861 7/1983 Brown, Jr. D11/76
971,181 9/1910 Dover 63/2

[75] Inventor: Paolo Bulgari, Rome, Italy

[73] Assignee: Partecipazioni Bulgari S.p.A., Rome, Italy

[**] Term: 14 Years

[21] Appl. No.: 218,037

[22] Filed: Jul. 13, 1988

[30] Foreign Application Priority Data

Jan. 14, 1988 [IB] Int'l Pat. Institute DM/010065
[52] U.S. Cl. D11/42; D11/45
[58] Field of Search D11/1-3,
D11/40-49, 29, 75-76, 14, 56, 79-81, 226;
63/1.1, 2, 12, 13, 14.1

[56] References Cited

U.S. PATENT DOCUMENTS

D. 150,501 8/1948 Katz D11/80
D. 151,459 10/1948 Lang D11/226

Primary Examiner—Louis S. Zarfes
Assistant Examiner—R. T. Seifert
Attorney, Agent, or Firm—Barnes, Kisselle, Raisch,
Choate, Whittemore & Hulbert

[57] CLAIM

The ornamental design for an earring, as shown and described.

DESCRIPTION

FIG. 1 is a front elevational view of an earring showing my new design;
FIG. 2 is a right side elevational view of FIG. 1 in the open position;
FIG. 3 is a rear elevational view of FIG. 1 in the open position;
FIG. 4 is a top plan view of FIG. 1 in the open position;
and
FIG. 5 is a bottom plan view of FIG. 1 in the open position.

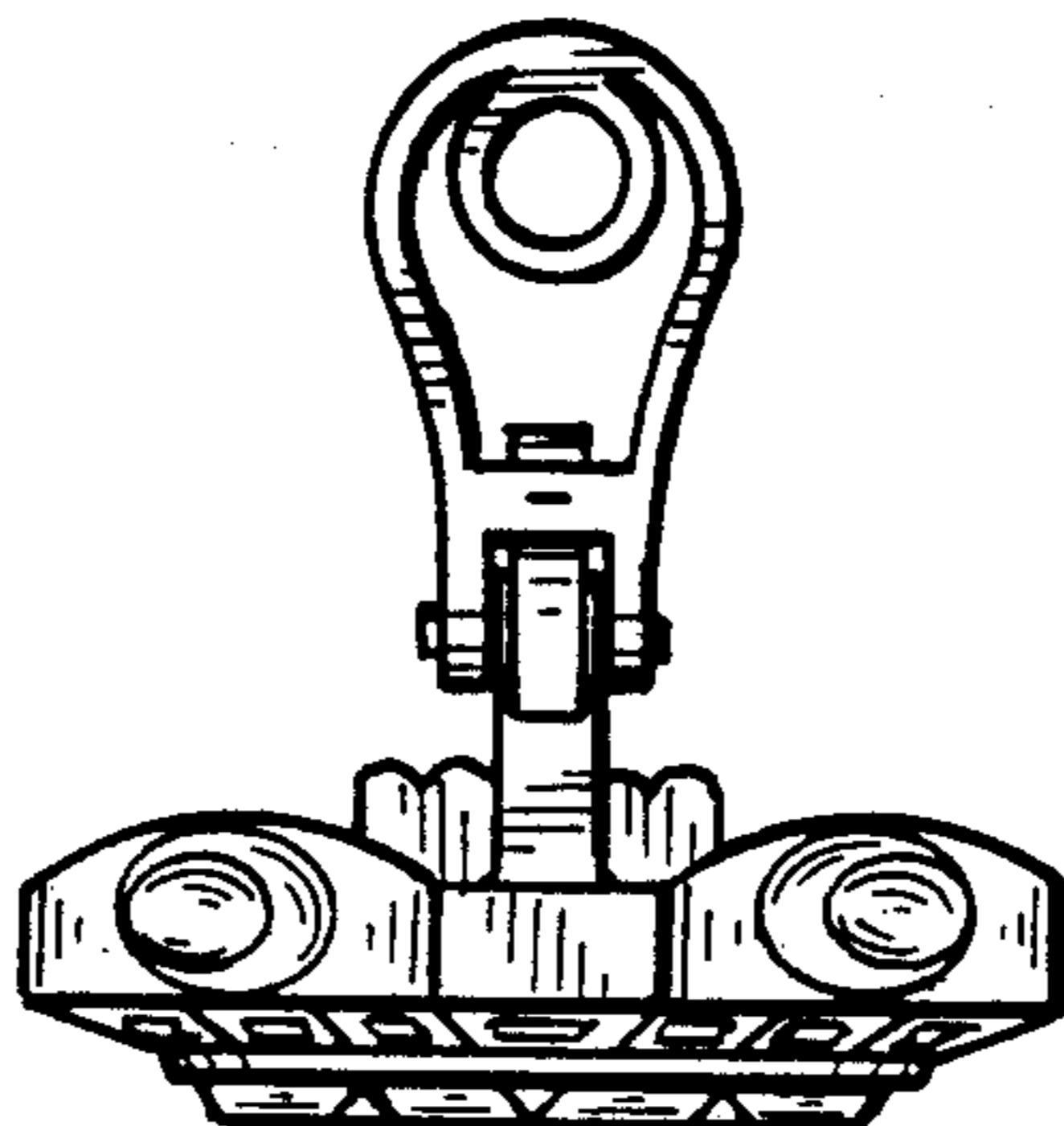
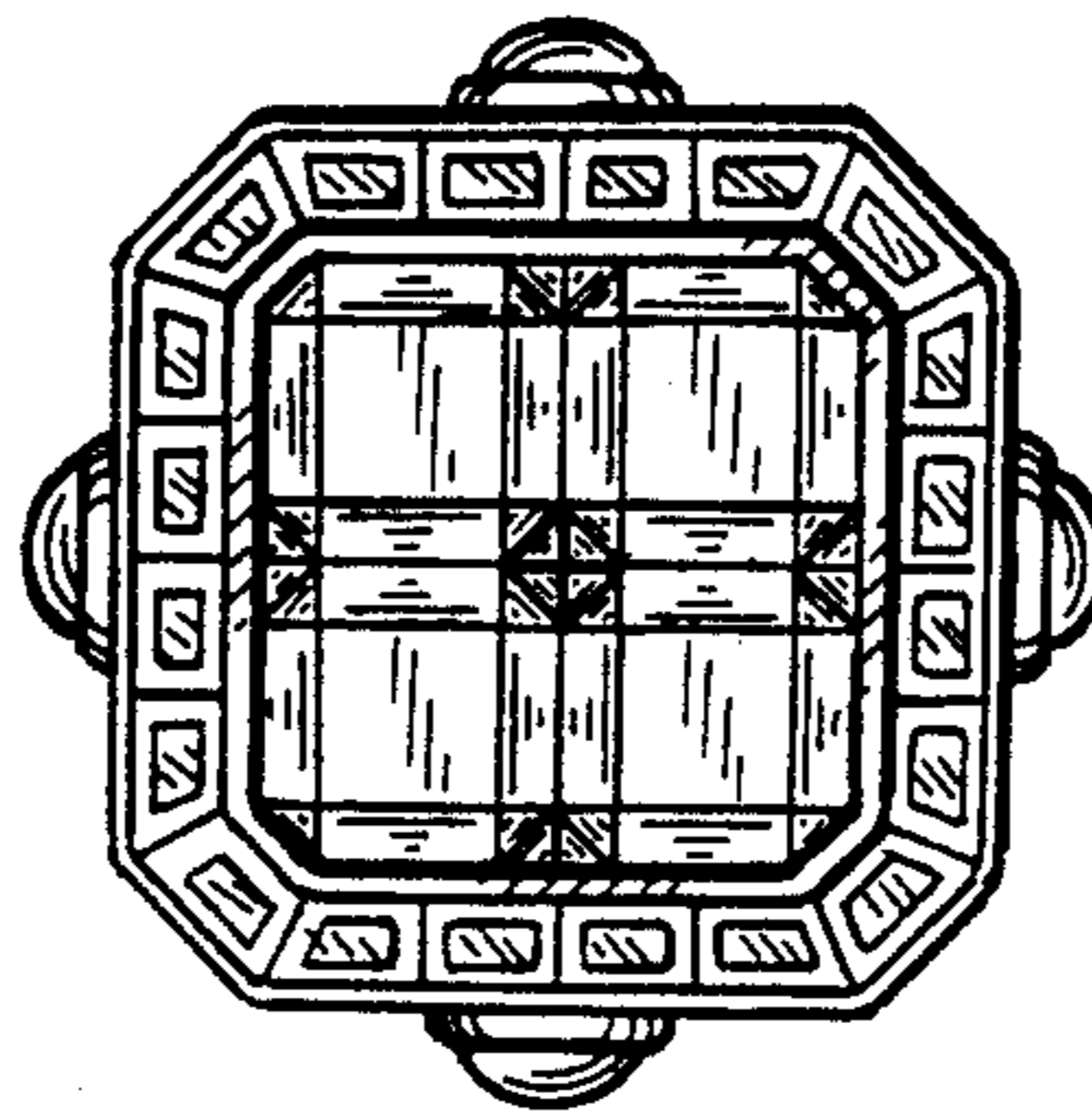


FIG. 1

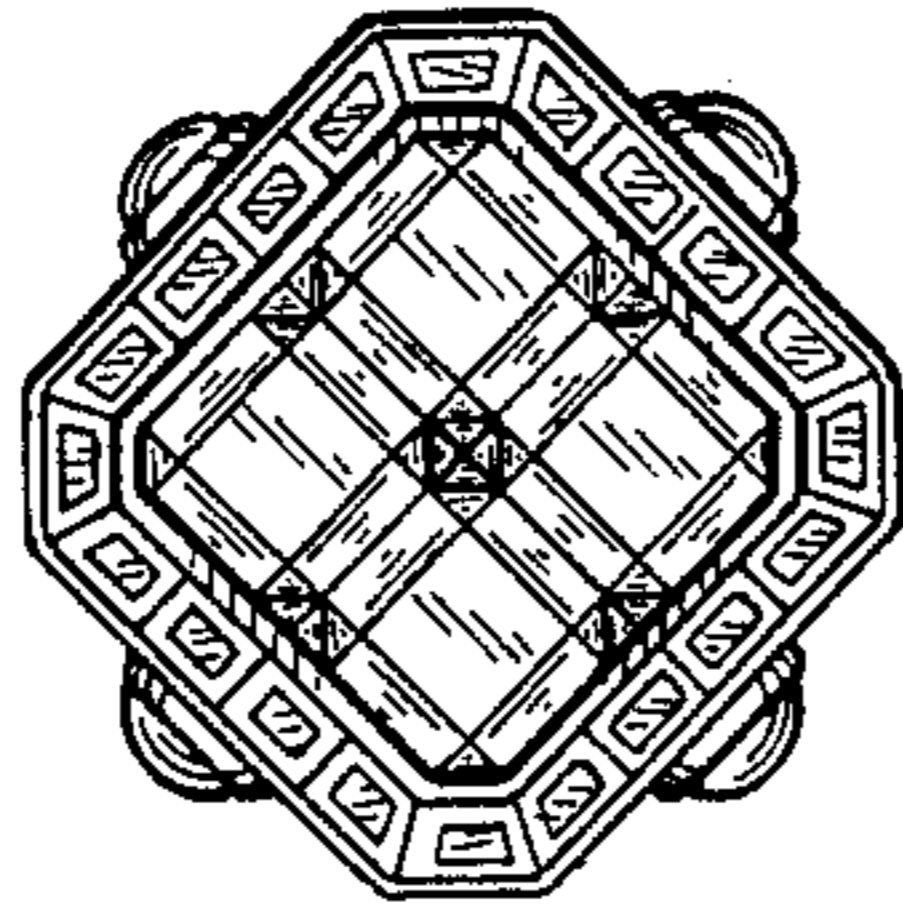


FIG. 2

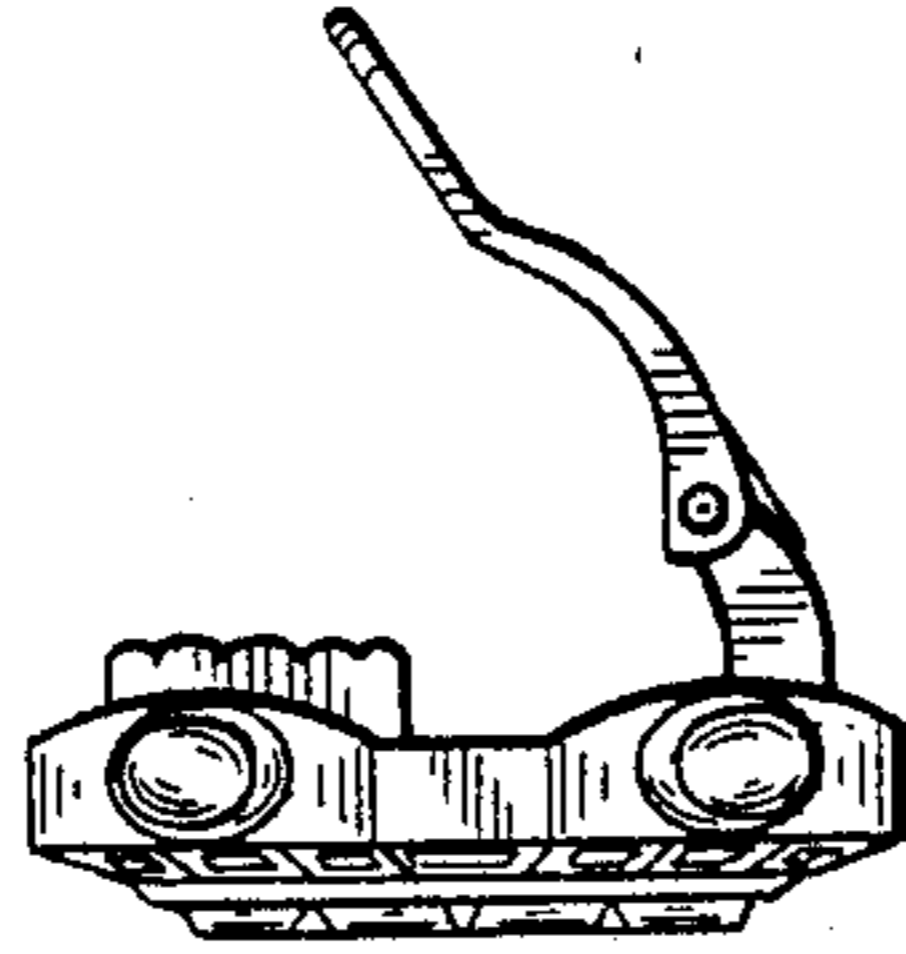


FIG. 3

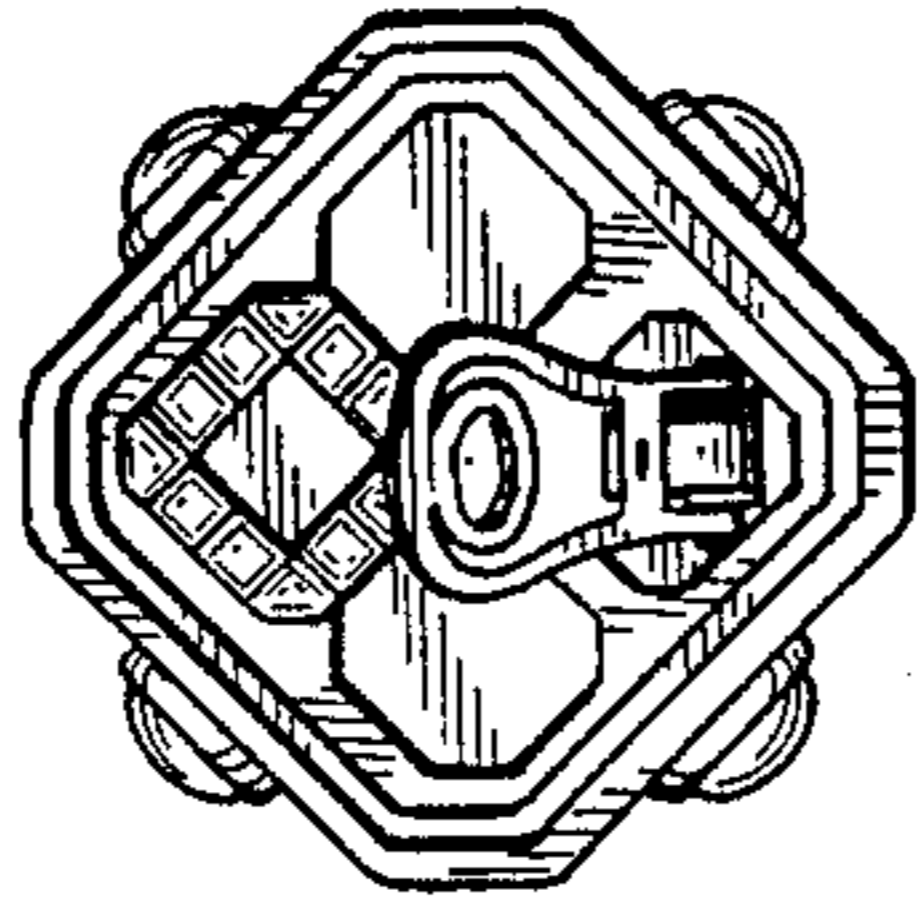


FIG. 5

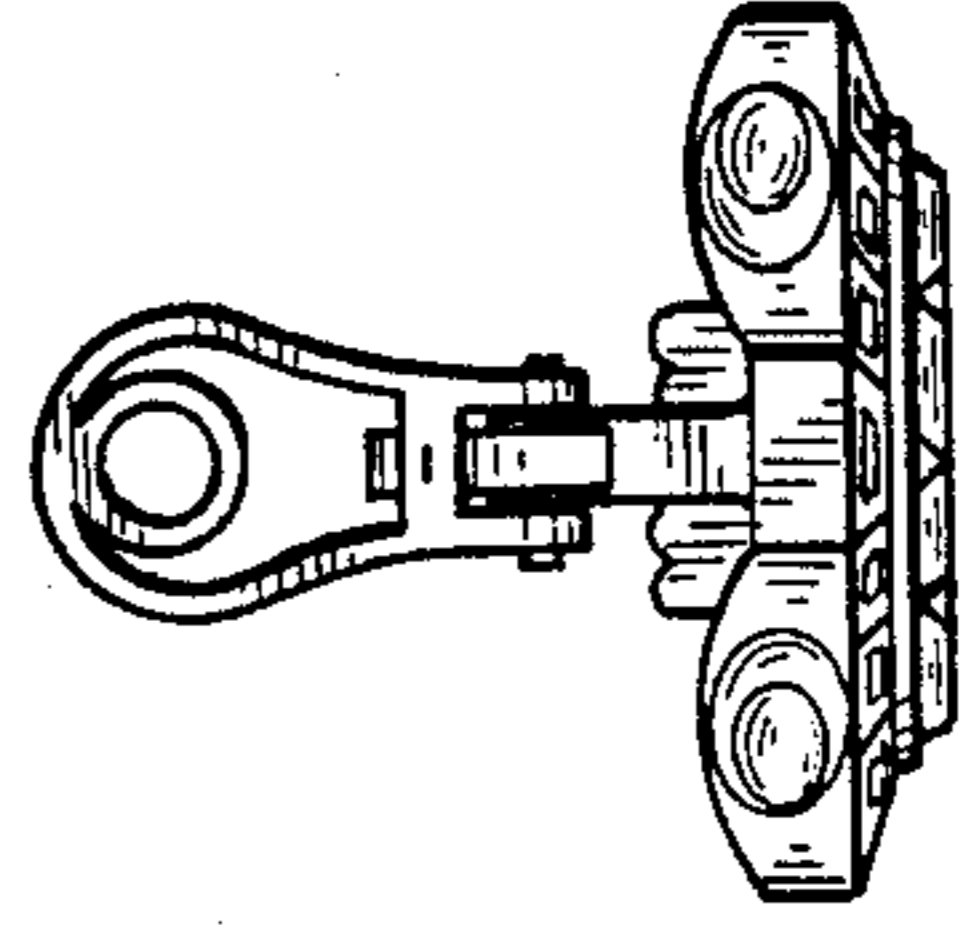


FIG. 4

