

[54] **EARRING OR SIMILAR ARTICLE**

[75] **Inventor: Paolo Bulgari, Rome, Italy**

[73] **Assignee: Partecipazioni Bulgari, S.p.A., Rome, Italy**

[**] **Term: 14 Years**

[21] **Appl. No.: 218,038**

[22] **Filed: Jul. 13, 1988**

[30] **Foreign Application Priority Data**

Jan. 14, 1988 [IB] Int'l Pat. Institute DM/010065

[52] **U.S. Cl. D11/42**

[58] **Field of Search D11/1-3,
D11/40-49, 29, 75-76, 14, 56, 79-81, 226;
63/1.1, 2, 12, 13, 14.1**

[56] **References Cited**

U.S. PATENT DOCUMENTS

D. 294,473 3/1988 Bulgari D11/43

Primary Examiner—Louis S. Zarfes
Assistant Examiner—R. T. Seifert
Attorney, Agent, or Firm—Barnes, Kisselle, Raisch,
Choate, Whittemore & Hulbert

[57] **CLAIM**

The ornamental design for an earring or similar article, as shown and described.

DESCRIPTION

FIG. 1 is a front elevational view of an earring or similar article showing my new design;

FIG. 2 is a right side elevational view of FIG. 1 in the open position;

FIG. 3 is a rear elevational view of FIG. 1 in the open position;

FIG. 4 is a top plan view of FIG. 1 in the open position; and

FIG. 5 is a bottom plan view of FIG. 1 in the open position.

The broken line showing of gems in FIGS. 1, 2, 4 and 5 is for illustrative purposes only and forms no part of the claimed design.

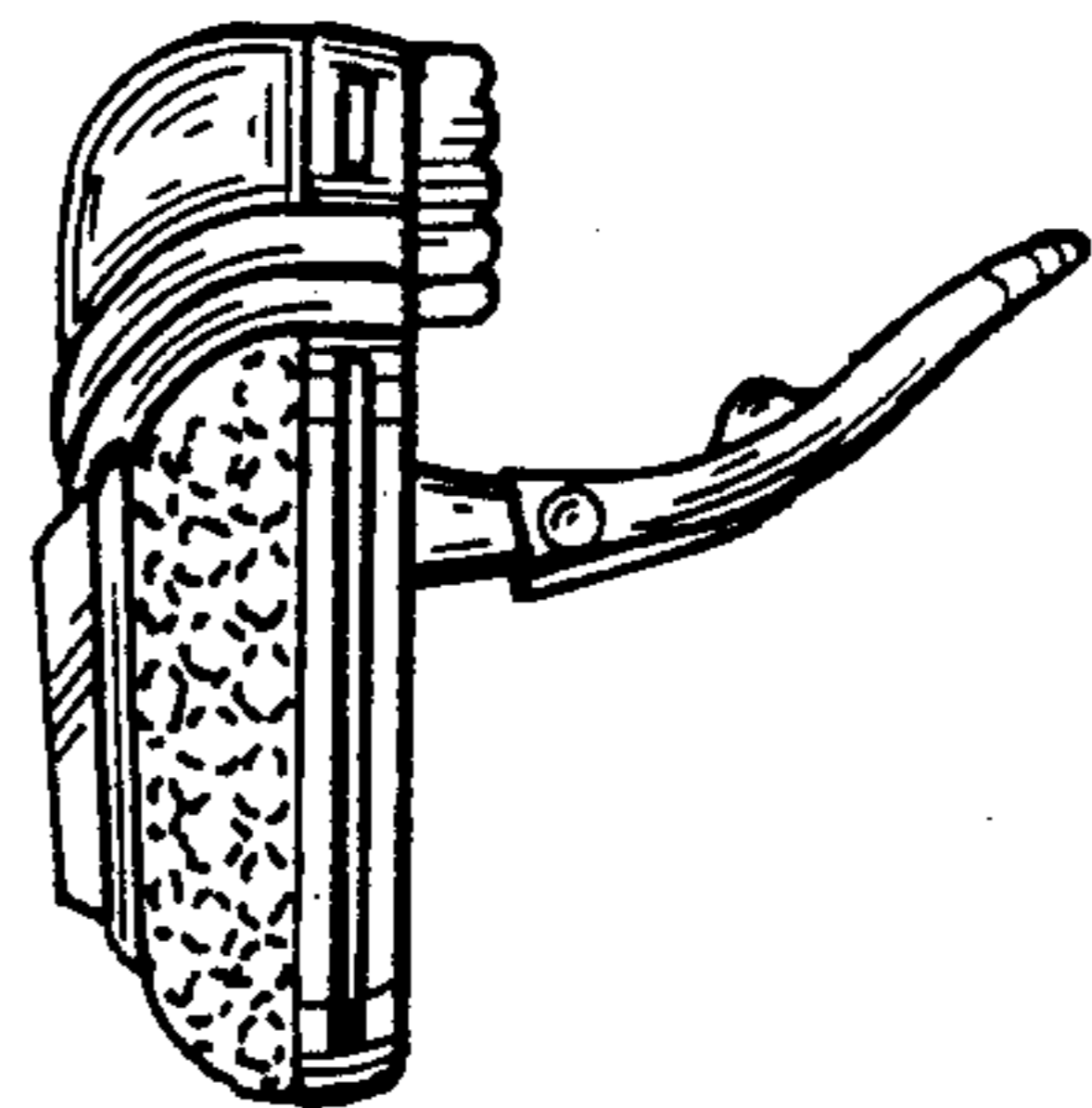
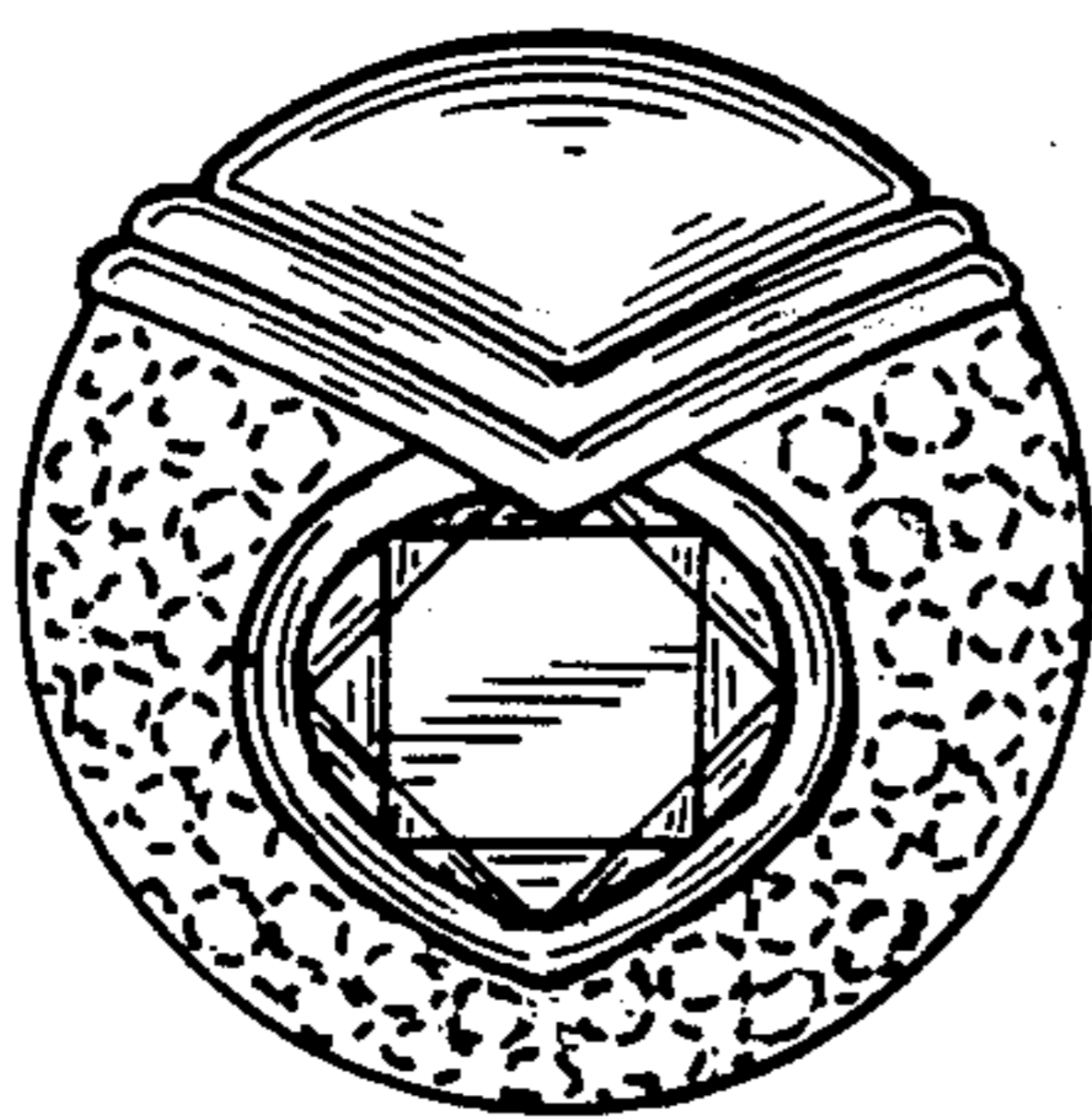


FIG. 1

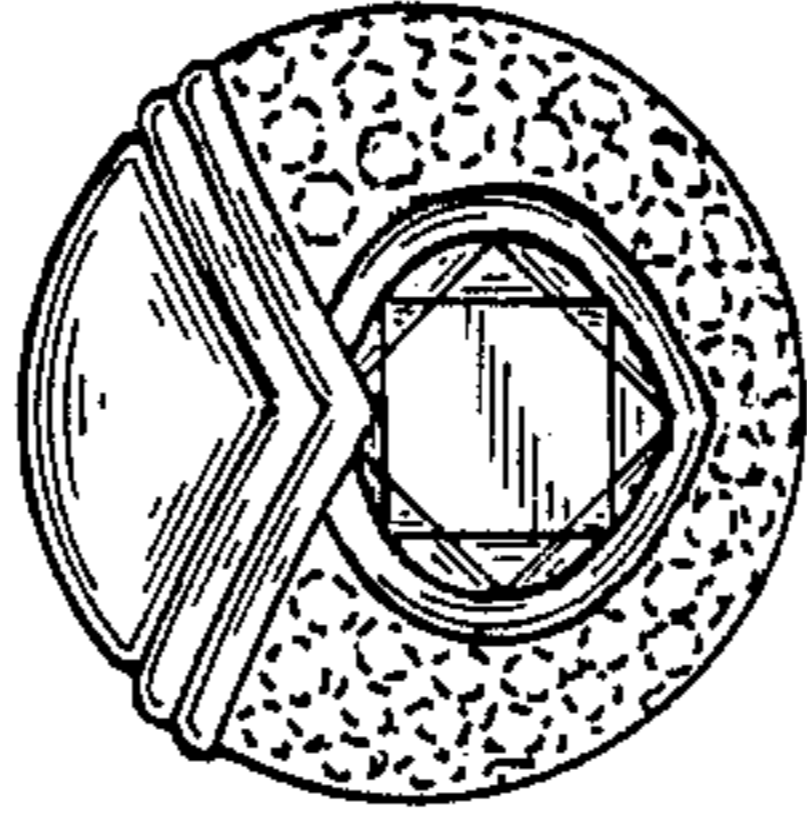


FIG. 2

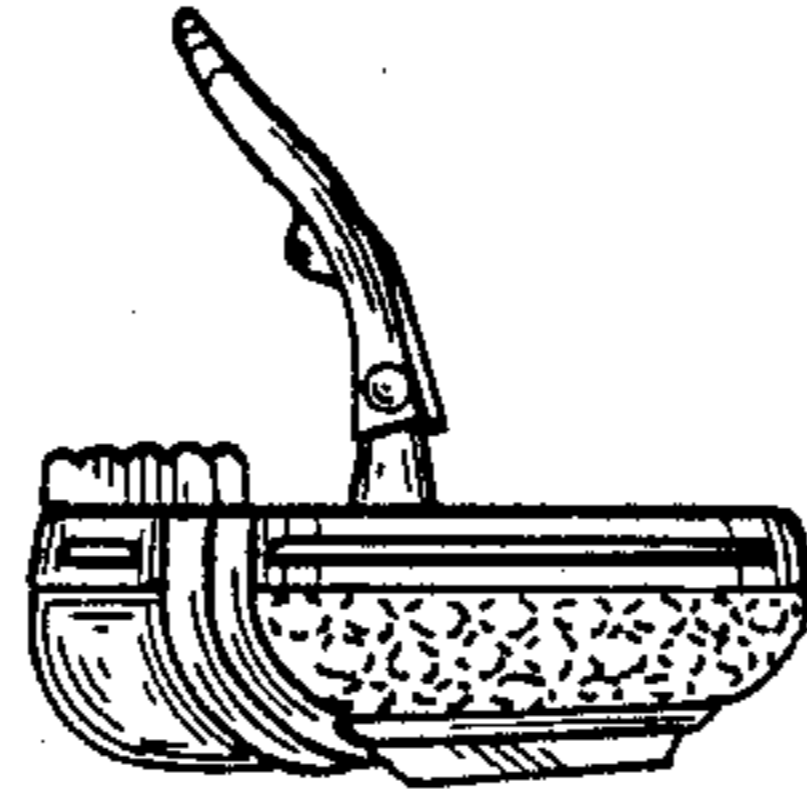


FIG. 3

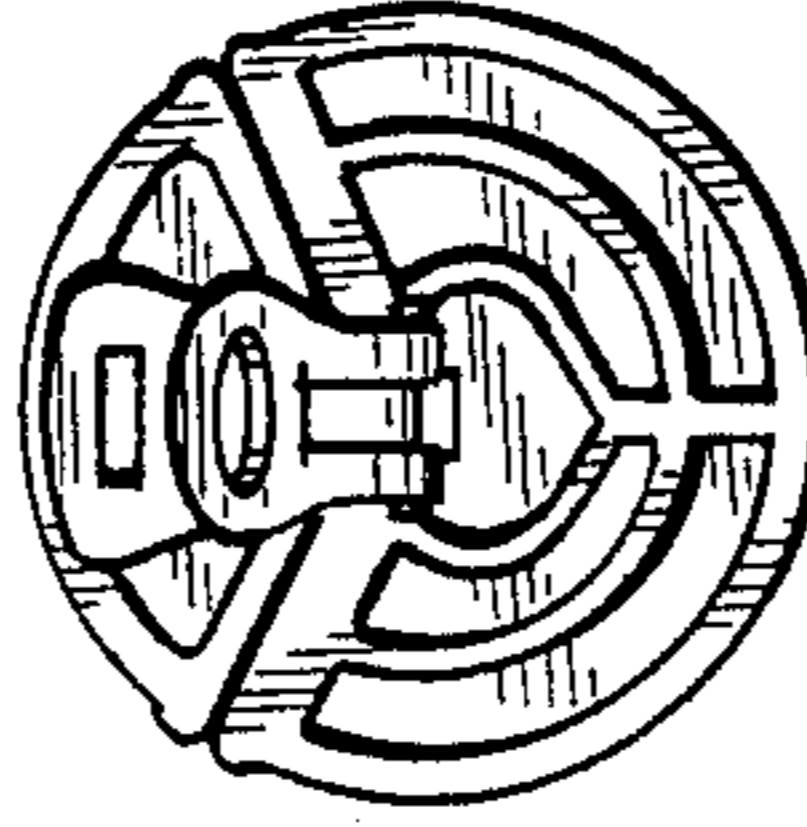


FIG. 4

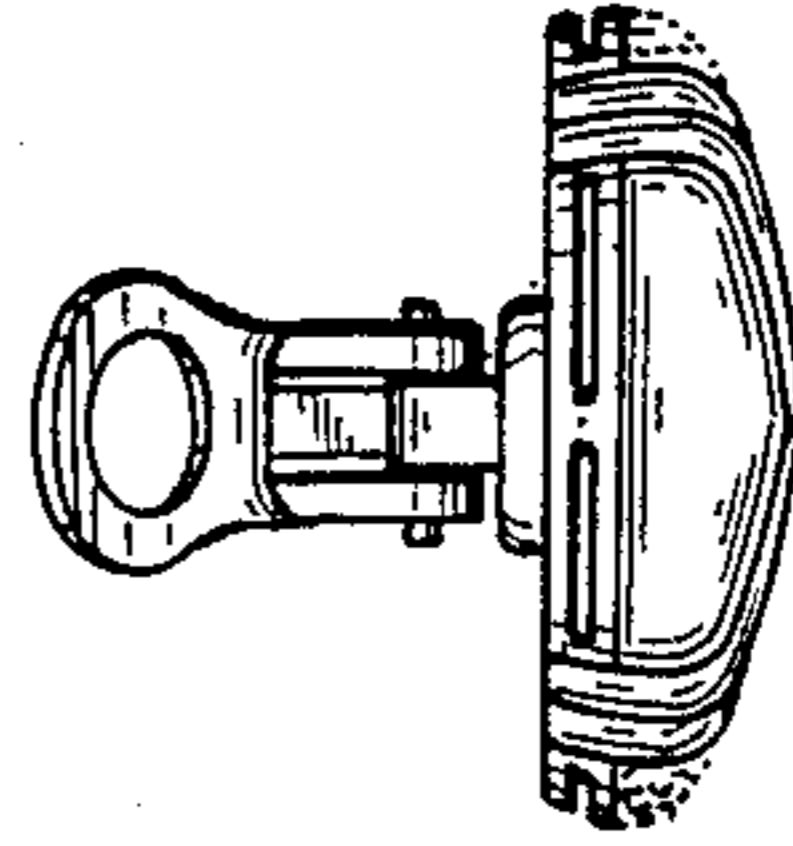


FIG. 5

