

[54] THERMOMETER FOR VEHICLES

[75] Inventor: Victor Colani, Norderstedt, Fed. Rep. of Germany

[73] Assignee: Bonatrade International, Inc., Santa Ana, Calif.

[\*\*] Term: 14 Years

[21] Appl. No.: 139,429

[22] Filed: Dec. 30, 1987

[52] U.S. Cl. .... D10/57

[58] Field of Search ..... D10/46, 52, 57; D12/198; 33/355 R; 73/431, 432; 374/100, 31, 108, 120, 121, 132, 141, 142, 143, 144, 145, 146, 159, 165, 187, 194, 203, 208

[56] References Cited

U.S. PATENT DOCUMENTS

- D. 45,562 4/1914 Larson ..... D12/198 X
- D. 47,773 8/1915 Boyce ..... D12/198 X

- D. 104,626 5/1937 Guild ..... D10/57
- D. 287,942 1/1987 Tanaka ..... D10/57 X
- D. 288,413 2/1987 Tanaka ..... D10/57
- D. 288,537 3/1987 Tanaka ..... D10/57
- D. 303,222 9/1989 Iacovelli ..... D10/57
- 4,336,712 6/1982 Hawkins ..... 374/141 X

Primary Examiner—Nelson C. Holtje  
Assistant Examiner—Antoine D. Davis  
Attorney, Agent, or Firm—Jackson & Jones

[57] CLAIM

The ornamental design for a thermometer for vehicles, as shown and described.

DESCRIPTION

FIG. 1 is a front elevational view of a thermometer for vehicles showing my new design;  
FIG. 2 is a right side elevational view;  
FIG. 3 is a rear elevational view;  
FIG. 4 is a left side elevational view;  
FIG. 5 is a top plan view; and  
FIG. 6 is a bottom plan view thereof.

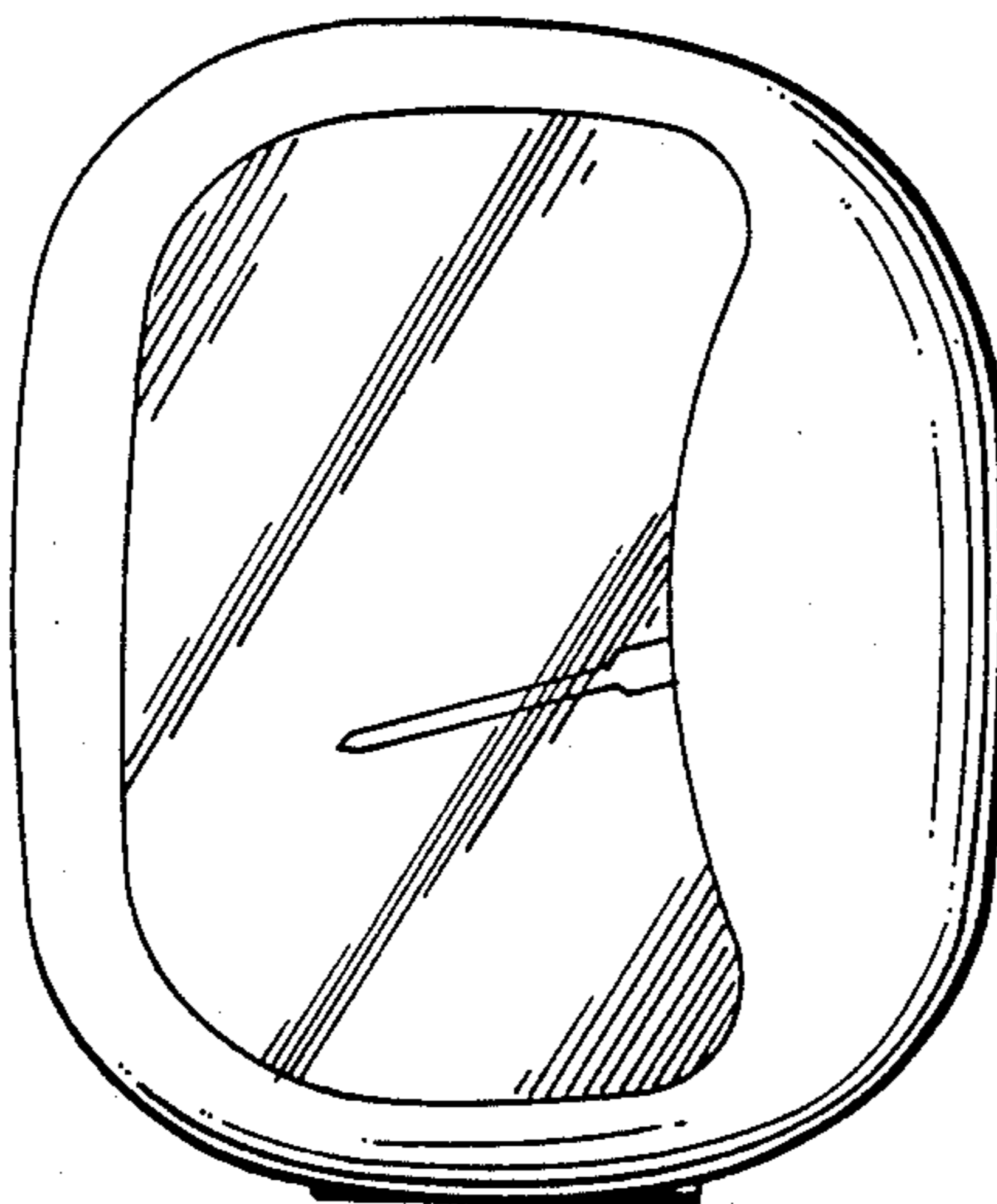


FIG. 1

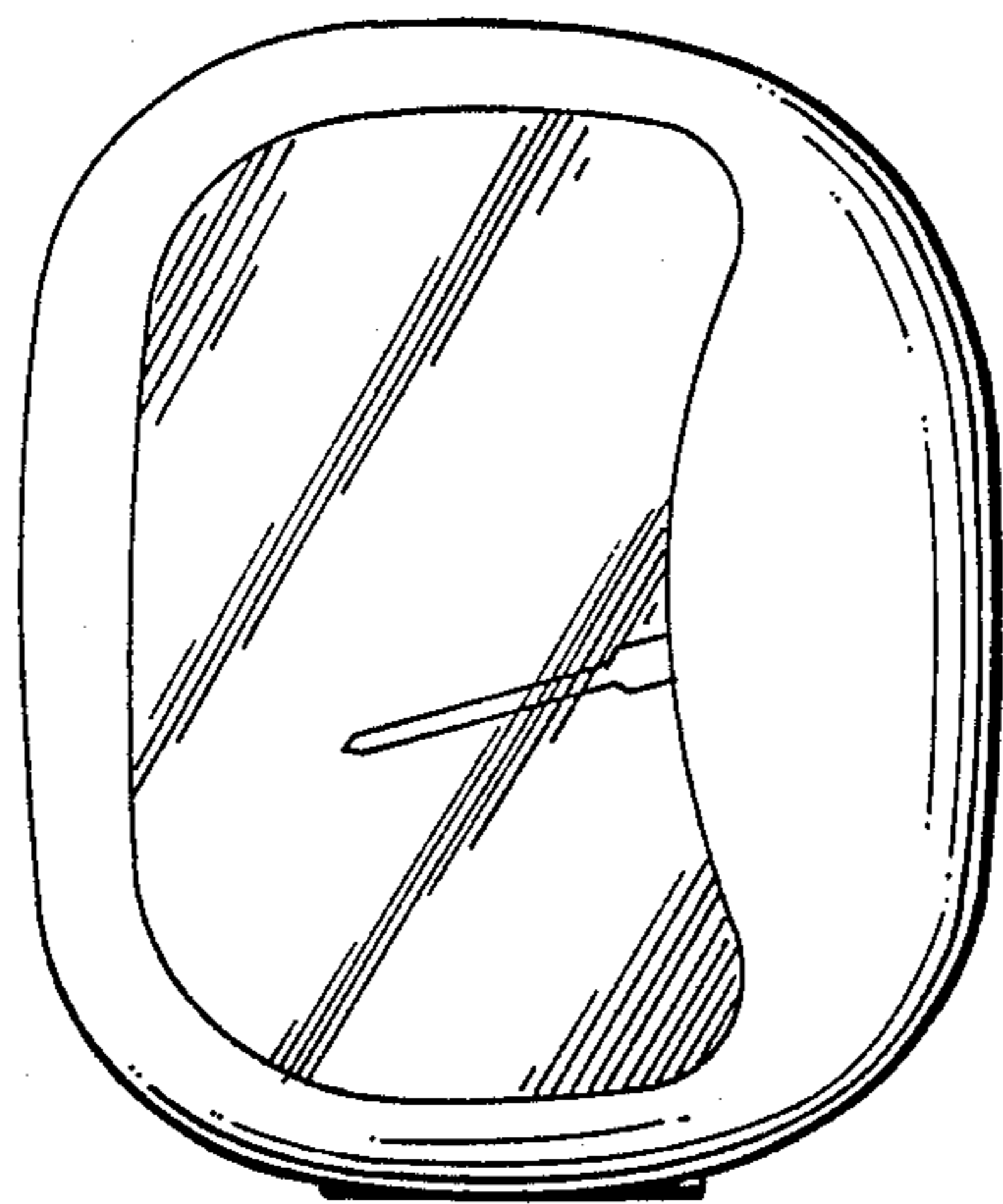


FIG. 2

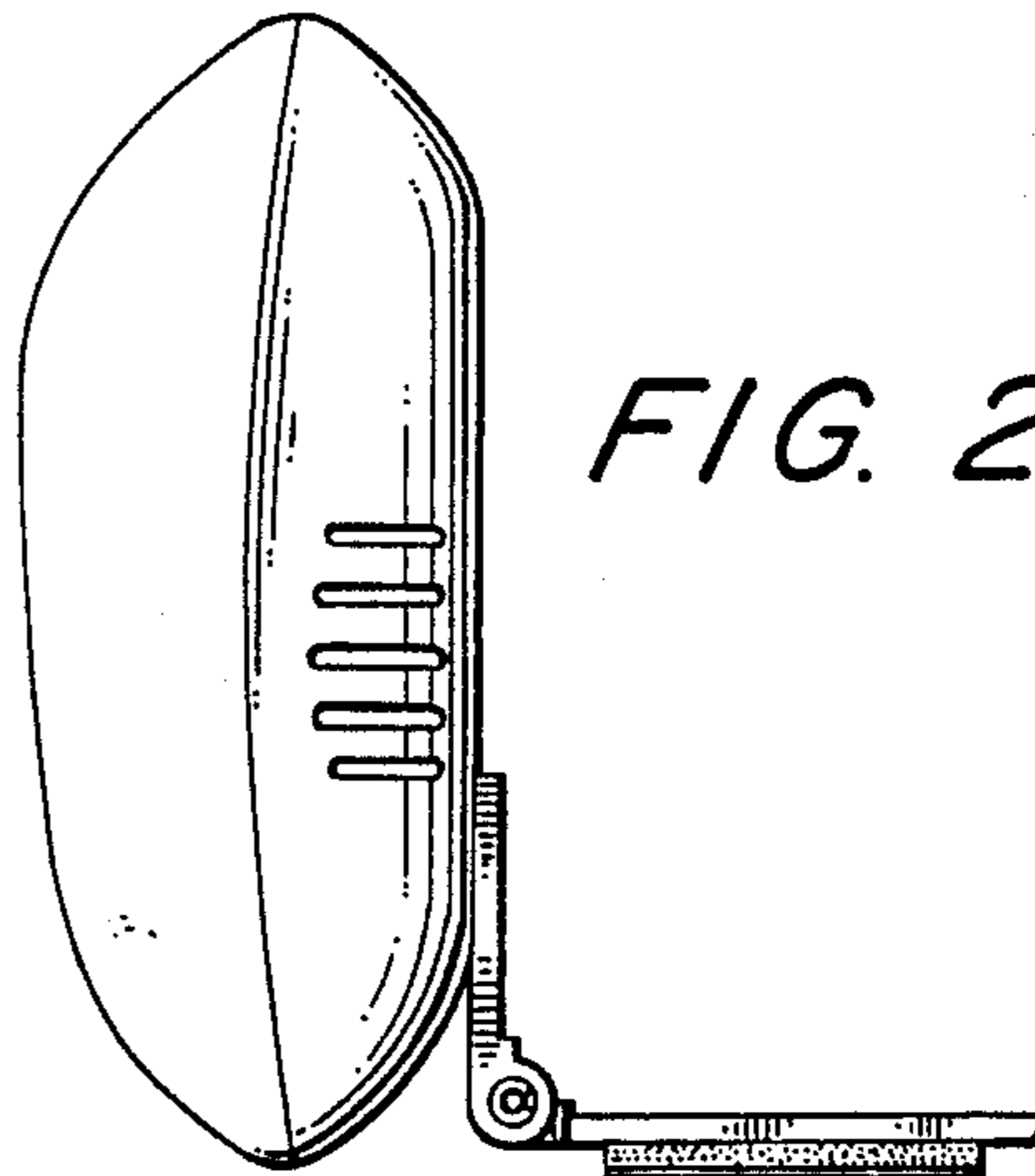


FIG. 3

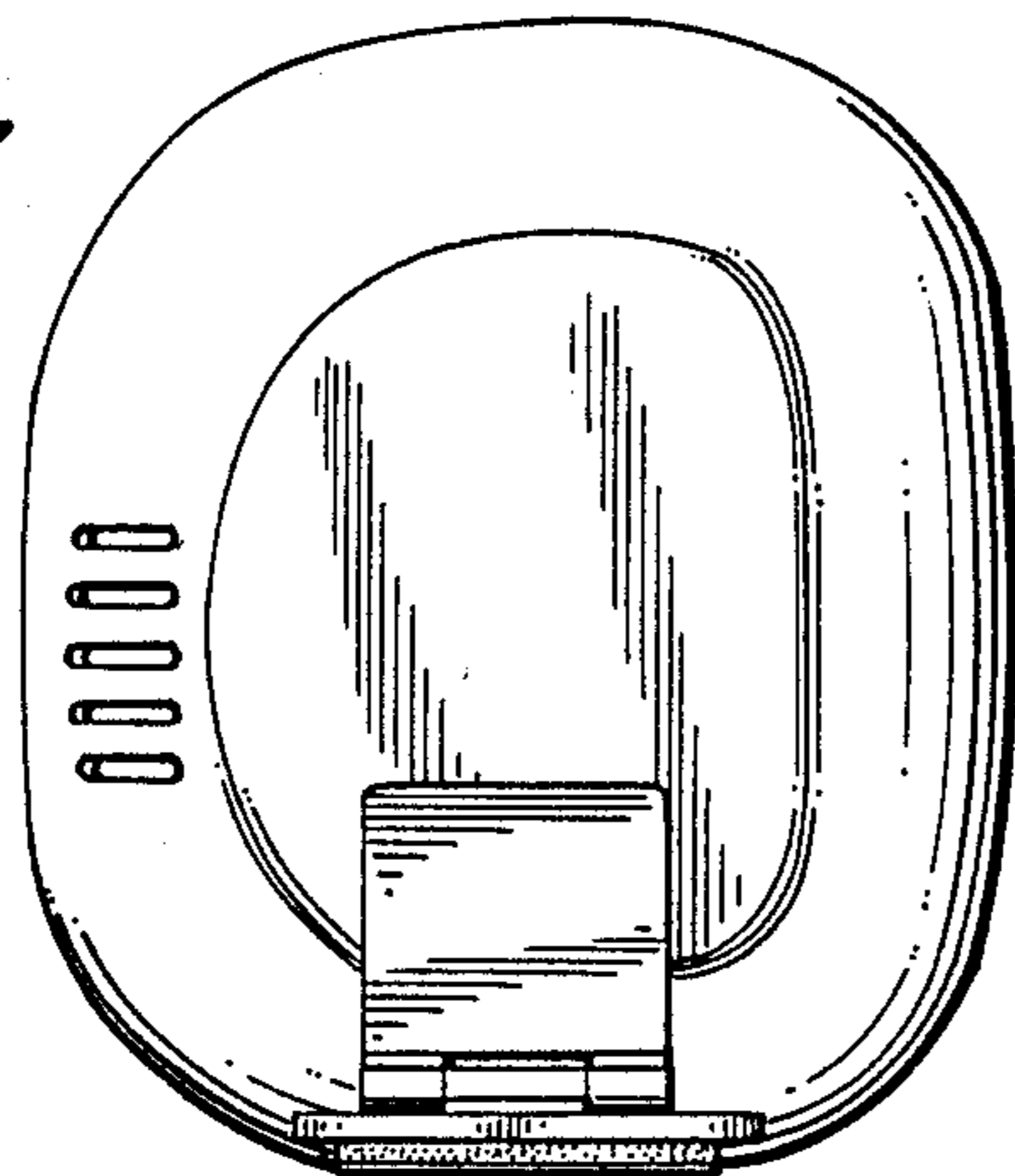


FIG. 4

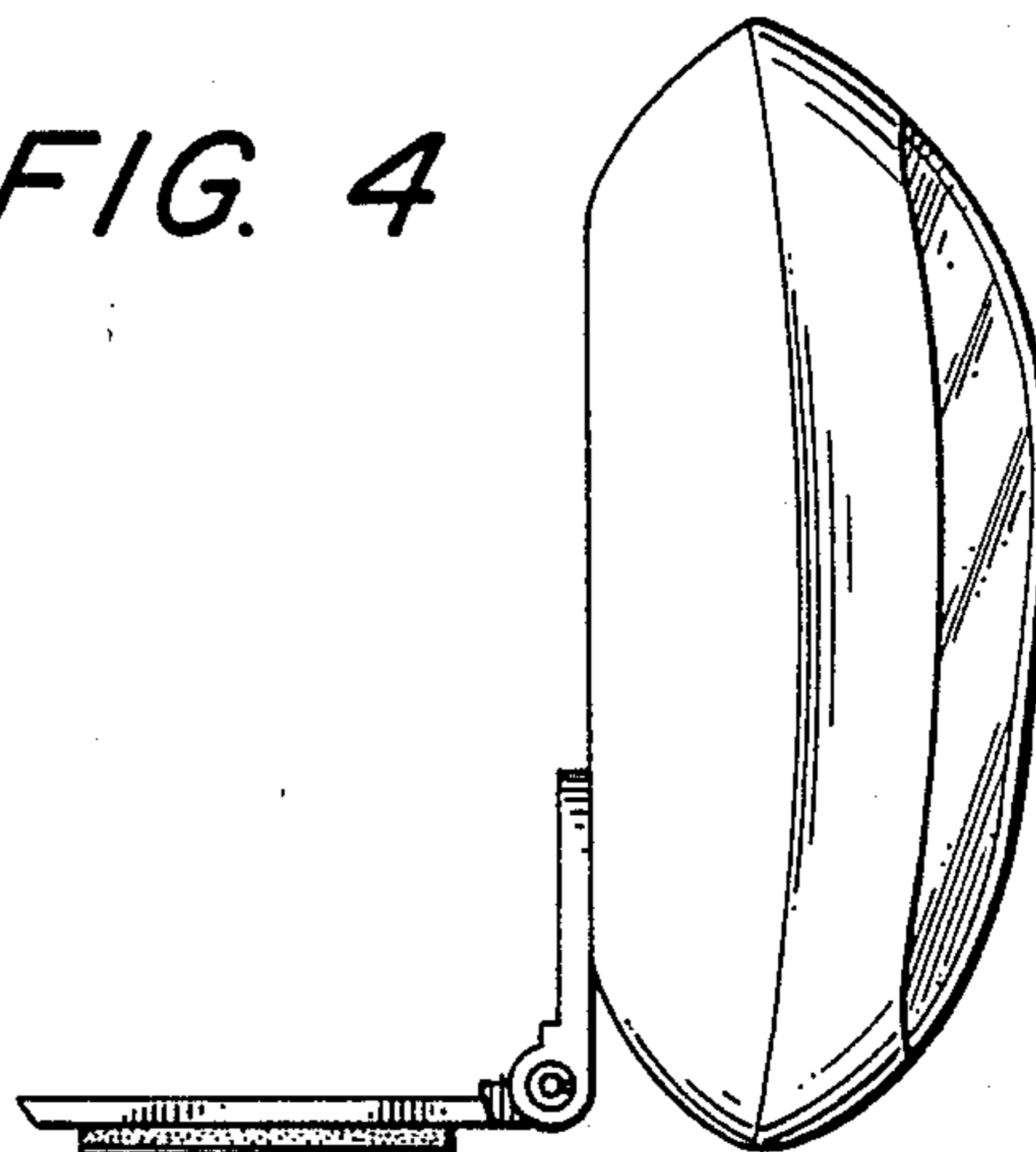


FIG. 5

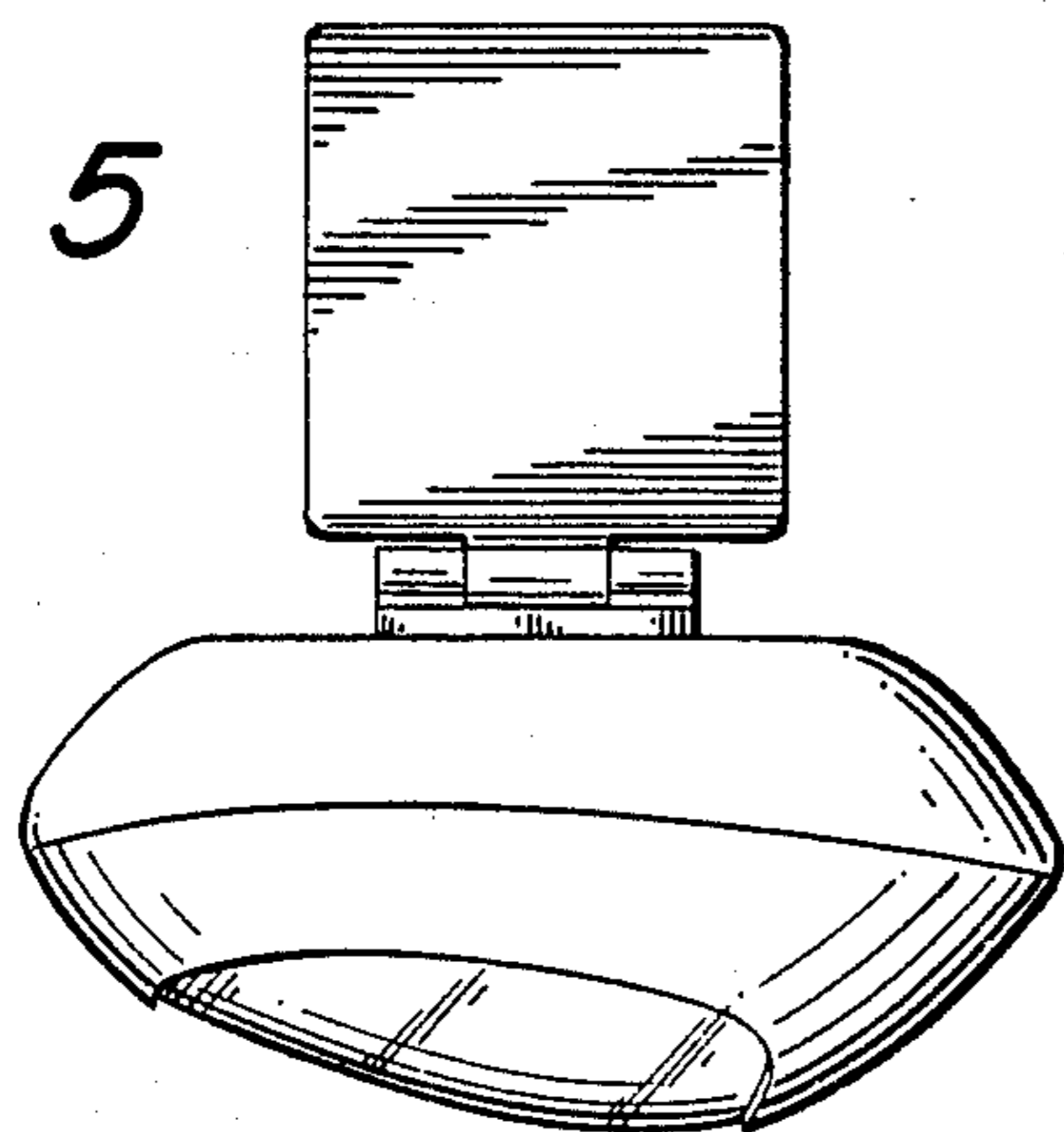


FIG. 6

