

[54] MICROWAVE LEAK DETECTOR

[75] Inventor: Thomas R. Bajek, LaGrange Park, Ill.

[73] Assignee: Selfix, Inc., Chicago, Ill.

[\*\*] Term: 14 Years

[21] Appl. No.: 231,241

[22] Filed: Aug. 12, 1988

[52] U.S. Cl. .... D10/46

[58] Field of Search ..... D10/47, 57, 75, 78, D10/103; D8/19; D4/104; 324/58, 95, 106, 122, 156, 72; 340/539, 600; 343/703; 455/347, 226

[56] References Cited

U.S. PATENT DOCUMENTS

- D. 223,359 4/1972 Anderson ..... D10/47
- D. 261,366 10/1981 Lam ..... D10/47
- D. 263,380 3/1982 Hay ..... D10/47 X
- D. 264,317 5/1982 Tanzman ..... D10/47
- D. 265,383 7/1982 Perry ..... D10/47

- 3,931,573 1/1976 Hopfer ..... 324/95 X
- 4,032,910 6/1977 Hollway et al. .... 324/95 X
- 4,301,406 11/1981 Shriner ..... 324/95
- 4,338,595 7/1982 Newman ..... 340/600
- 4,424,483 1/1984 Aslan ..... 343/703 X
- 4,464,278 8/1984 Toth et al. .... 324/95

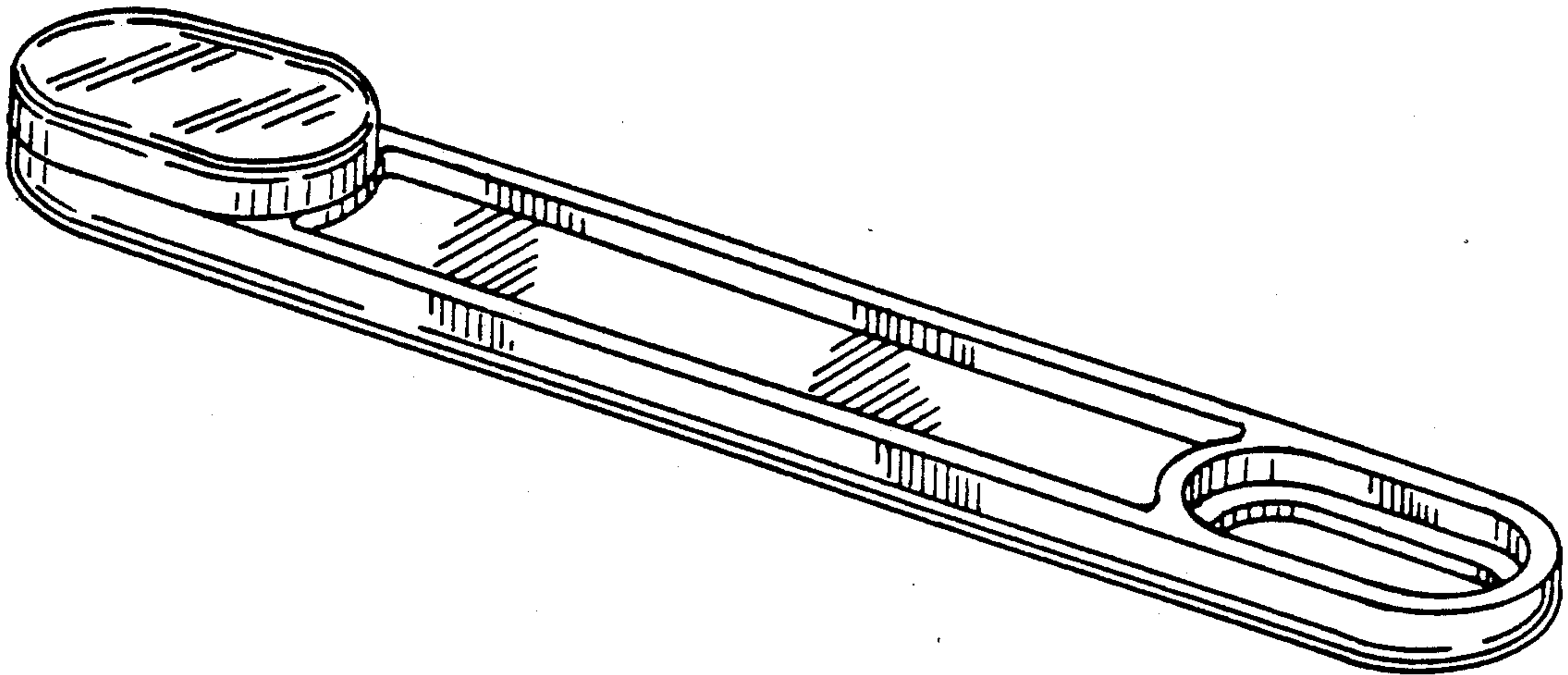
Primary Examiner—Nelson C. Holtje  
Assistant Examiner—Antoine D. Davis  
Attorney, Agent, or Firm—Dressler, Goldsmith, Shore, Sutker & Milnamow, Ltd.

[57] CLAIM

The ornamental design for a microwave leak detector, as shown and described.

DESCRIPTION

FIG. 1 is a top, front, and left side perspective view of a microwave leak detector showing my new design; FIG. 2 is a top plan view; FIG. 3 is a left side elevational view, the right side being a mirror image; FIG. 4 is a bottom plan view; FIG. 5 is a front elevational view; and FIG. 6 is a rear elevational view thereof.



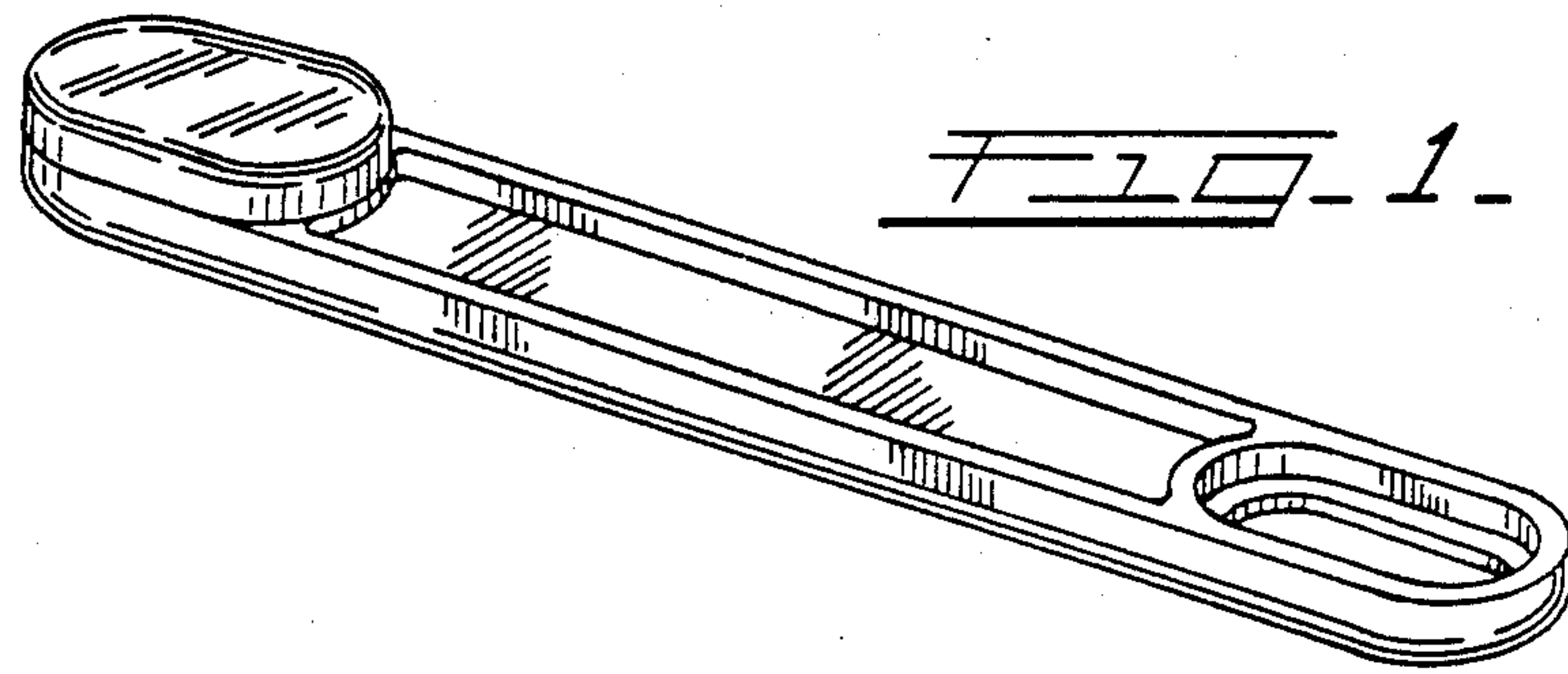


FIG. 1.

FIG. 2.

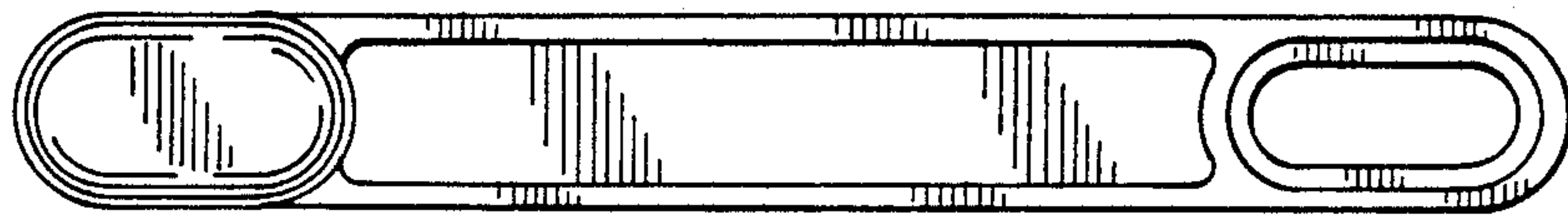


FIG. 3.



FIG. 4.



FIG. 5.

FIG. 6.

