

[54] SKI WAX AND PARAFFIN TESTER

[76] Inventors: Anatoly A. Khait, ul. Popova, 7-35, 620014 Sverdlovsk; Evgeny P. Lobanov, ul. Otdykha, 18, 620017 Sverdlovsk; Sergei V. Parakhin, ul. Sverdlova, 14-15, 620027, Sverdlovsk; Vasily A. Kamenskikh, ul. Belorechenskaya, 7-16, 620086 Sverdlovsk; Pavel M. Vaisberg, ul. Bardina, 49-40, 620147, Sverdlovsk; German P. Losev, ul. Tsvilinga, 42-16, 620042 Sverdlovsk, all of U.S.S.R.

[**] Term: 14 Years

[21] Appl. No.: 228,682

[22] Filed: Aug. 4, 1988

[30] Foreign Application Priority Data

Feb. 10, 1988 [SU] U.S.S.R. 45047
[52] U.S. Cl. D10/46
[58] Field of Search D10/46; 73/9, 10

[56] References Cited

U.S. PATENT DOCUMENTS

3,791,489	2/1974	Vernazza et al.	73/9 X
3,975,940	8/1976	Brungraber	73/9
4,546,656	10/1985	Grundy et al.	73/9 X
4,759,209	7/1988	Brungraber	73/9
4,798,080	1/1989	Brungraber	73/9

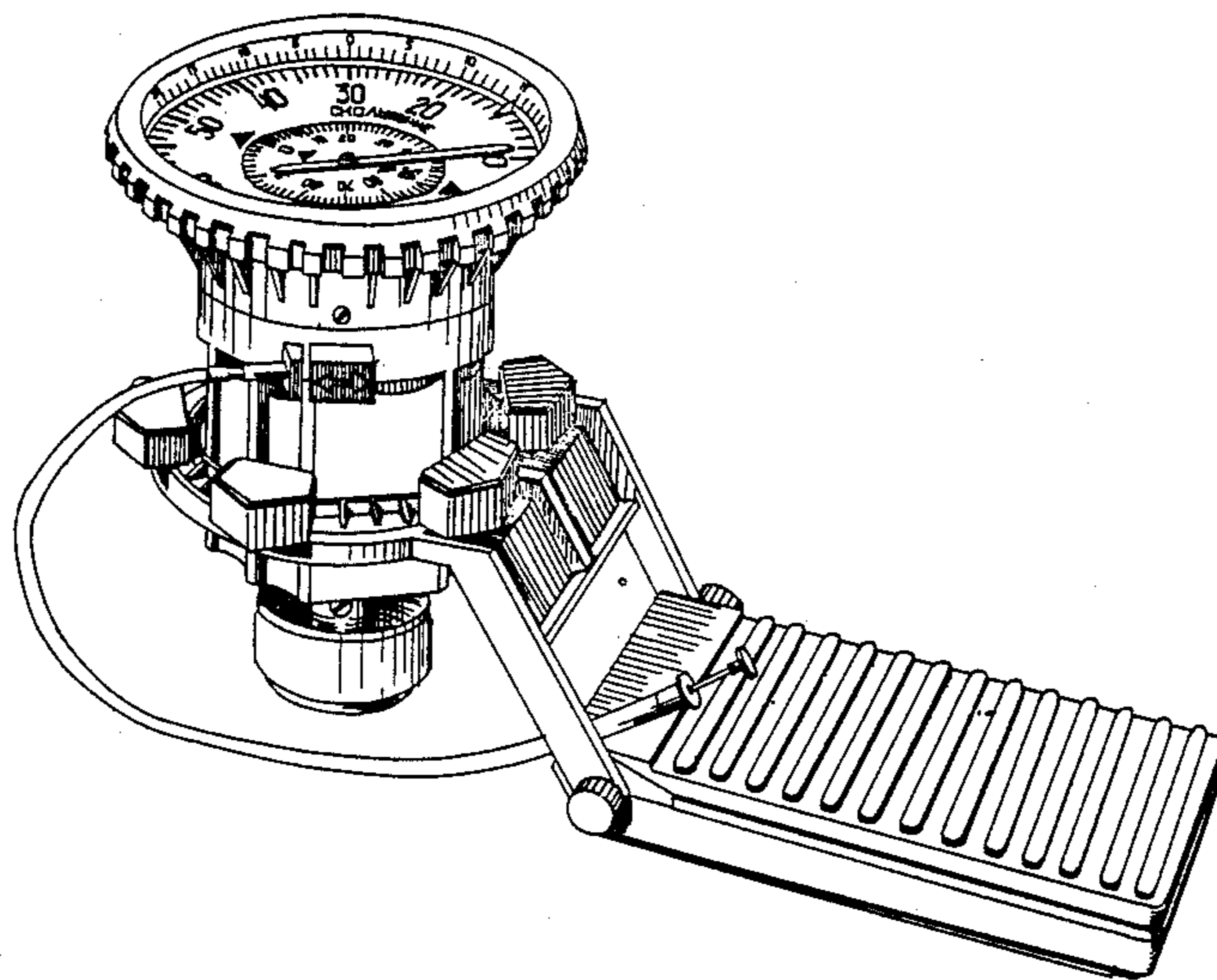
Primary Examiner—Nelson C. Holtje
Assistant Examiner—Antoine D. Davis
Attorney, Agent, or Firm—Burgess, Ryan & Wayne

[57] CLAIM

The ornamental design for a ski wax and paraffin tester, as shown and described.

DESCRIPTION

FIG. 1 is a top plan, left side perspective view of a ski wax and paraffin tester showing our new design; FIG. 2 is a front elevational view; FIG. 3 is a rear elevational view; FIG. 4 is a top plan view; FIG. 5 is a bottom plan view; FIG. 6 is a right side elevational view; and FIG. 7 is a left side elevational view thereof.



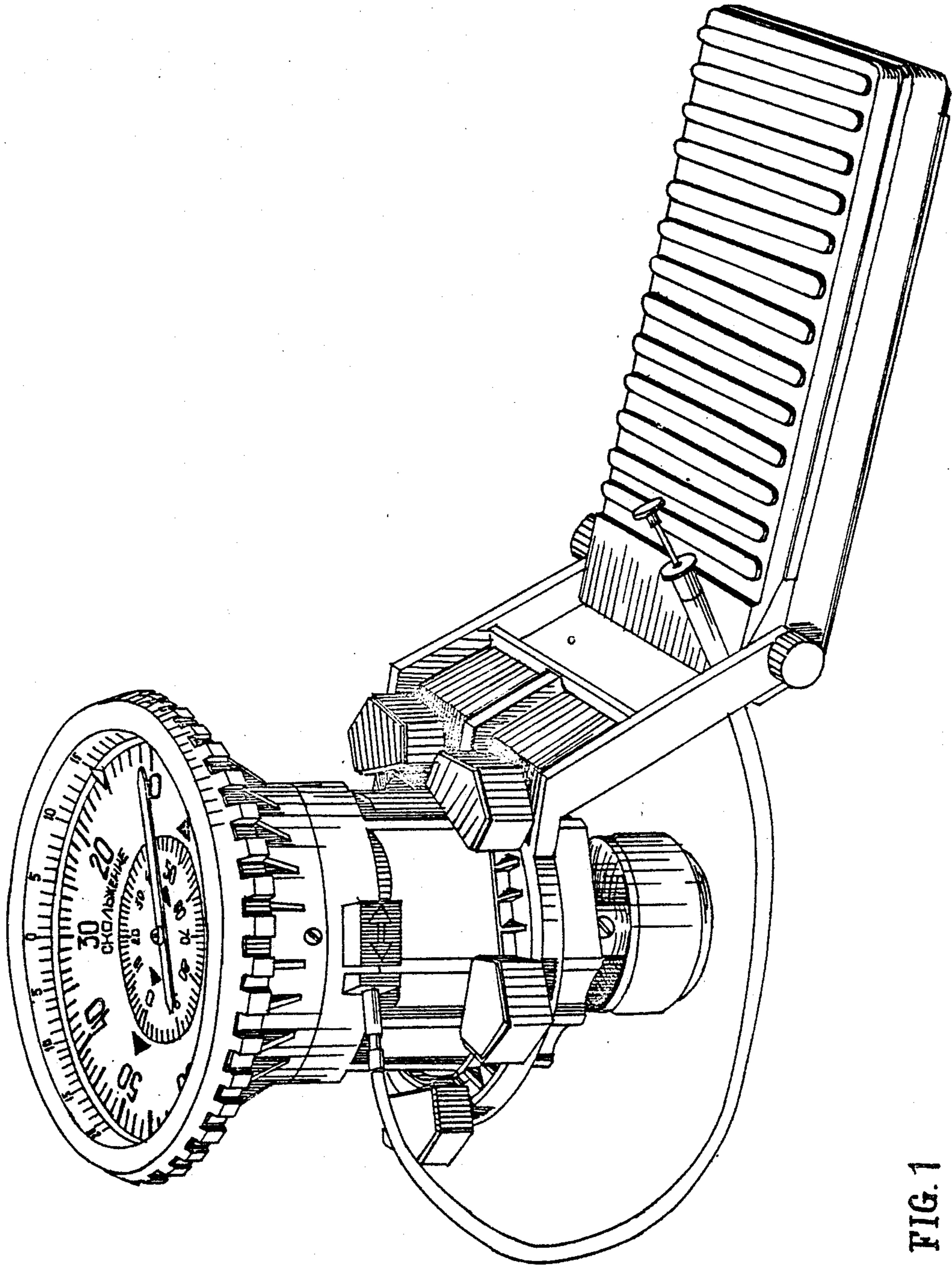


FIG. 1

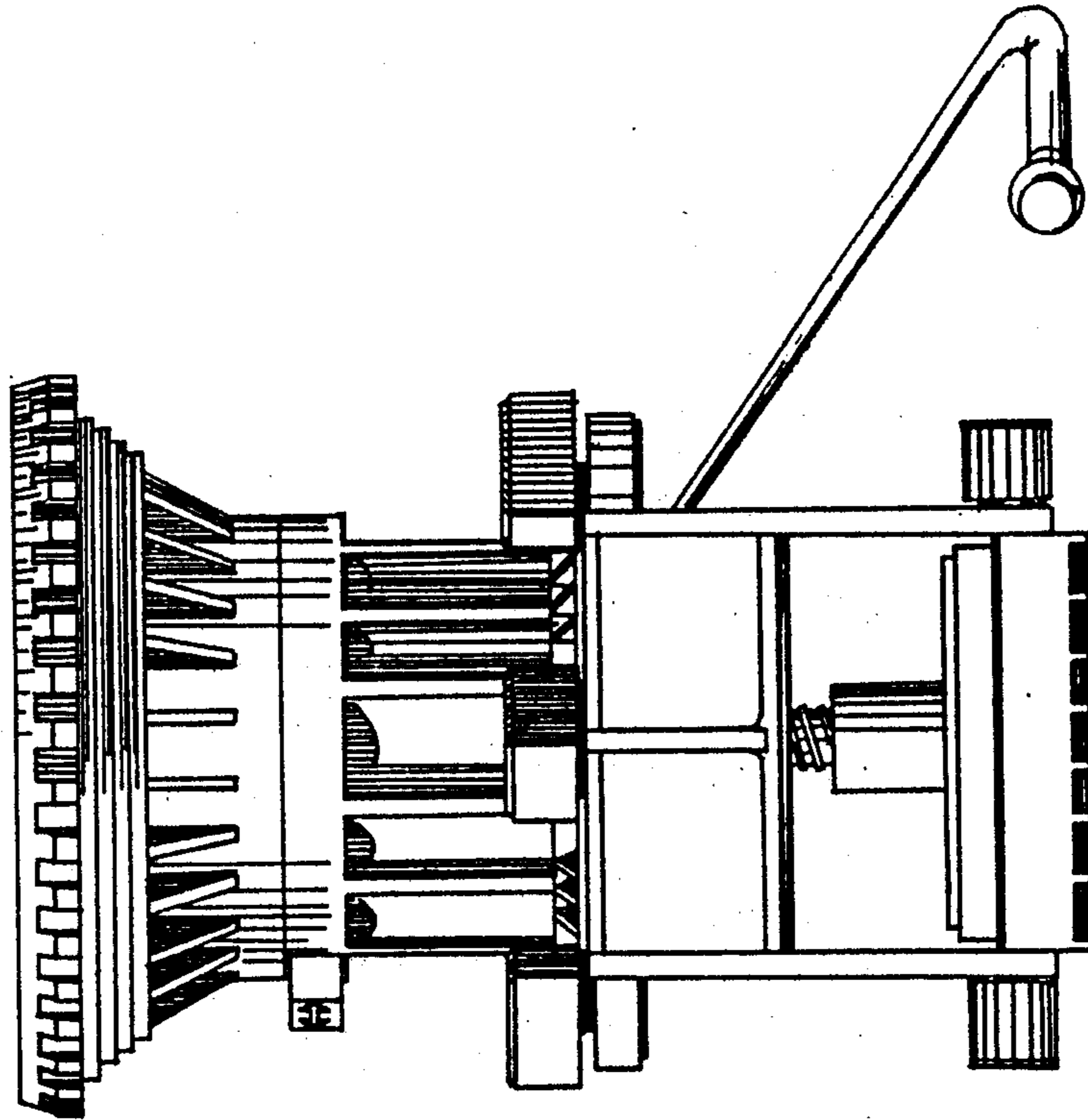


FIG. 2

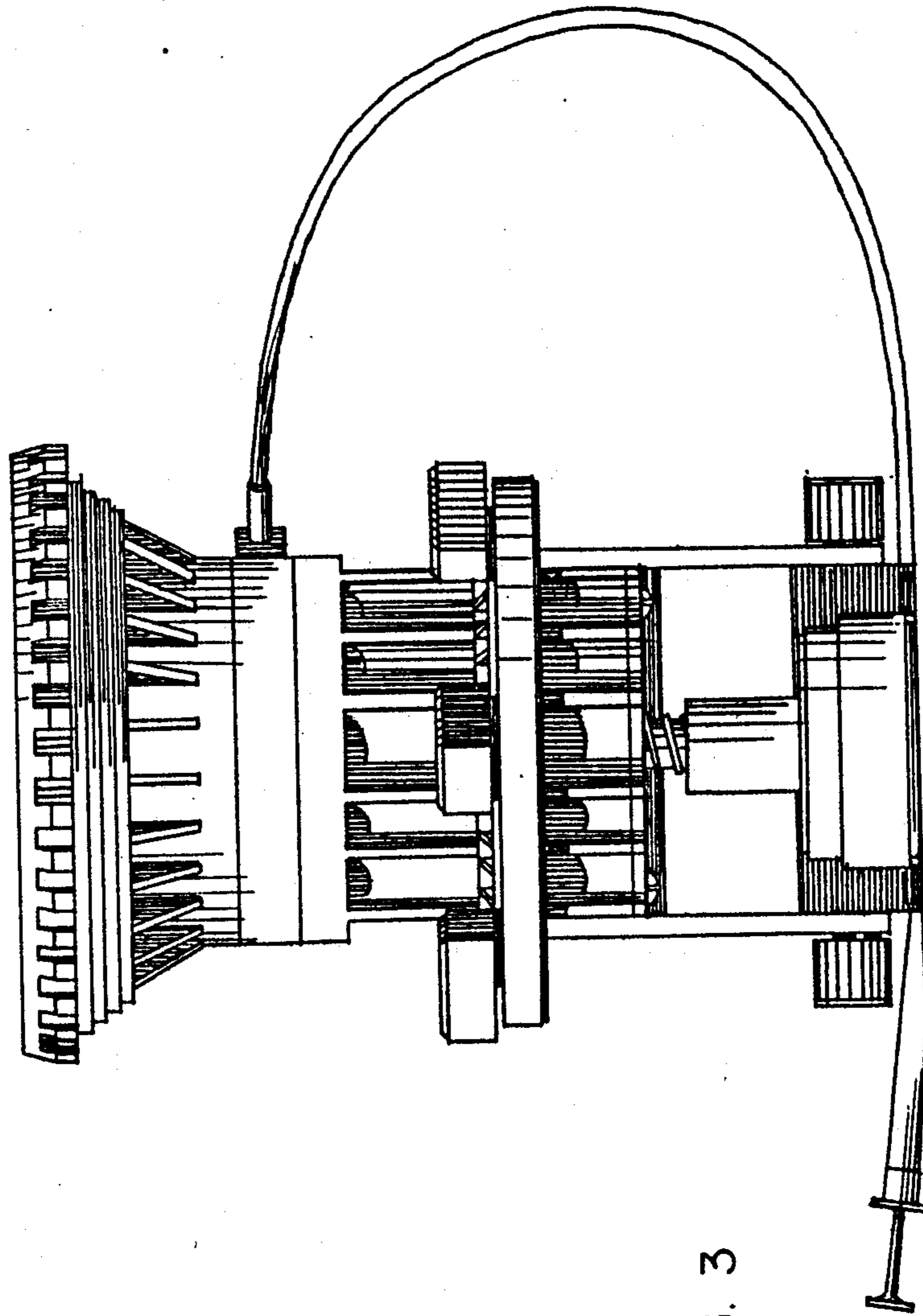


FIG. 3

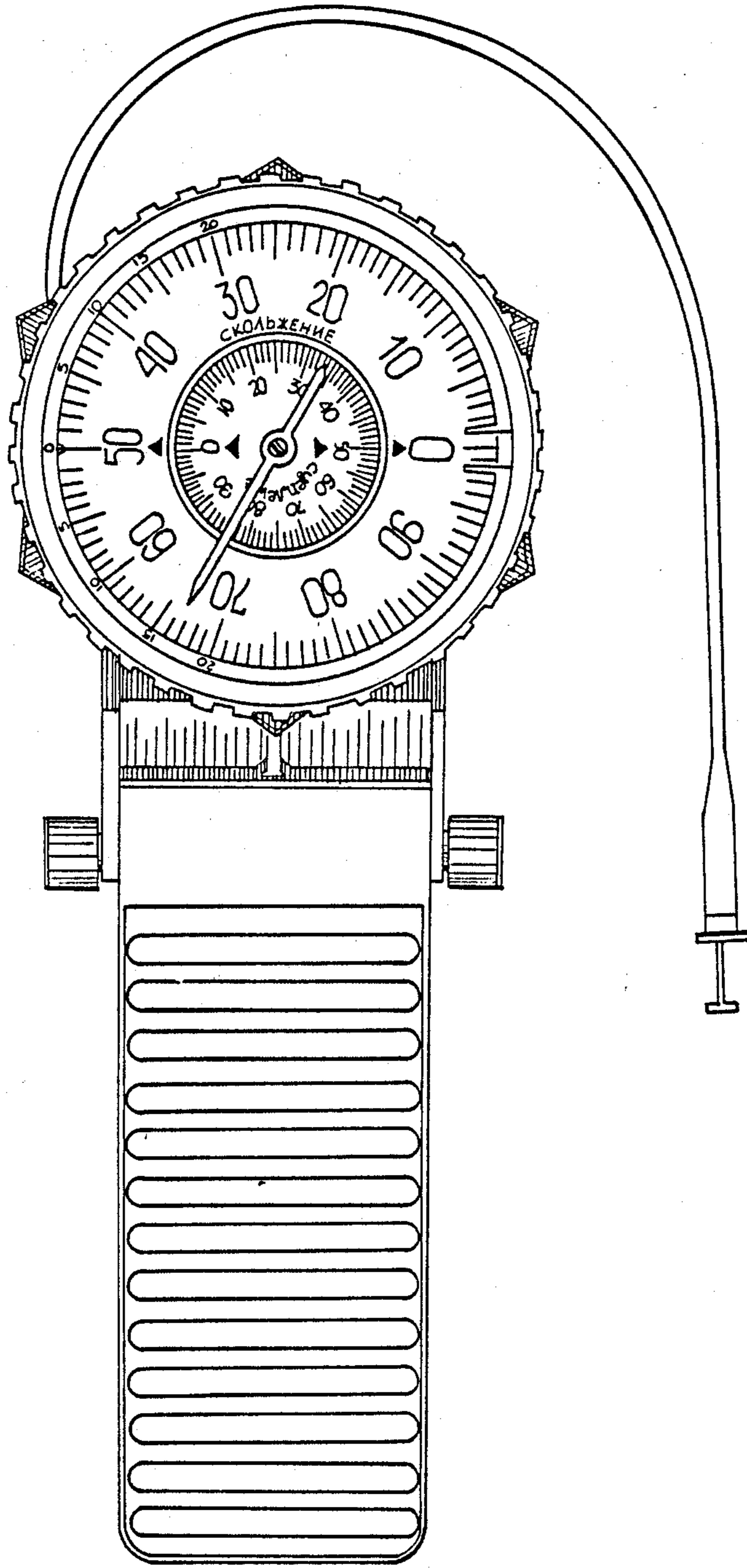


FIG. 4

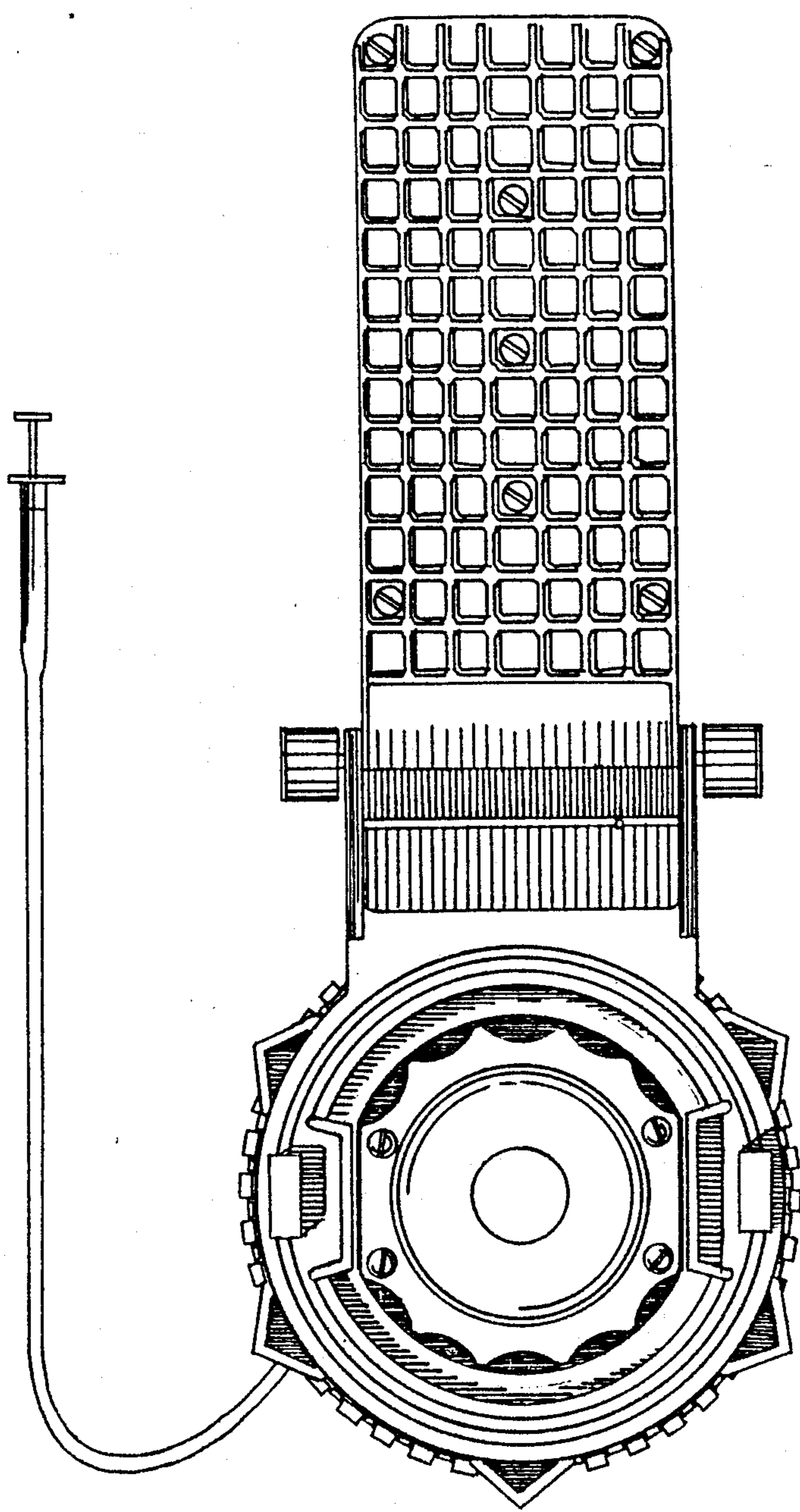


FIG. 5

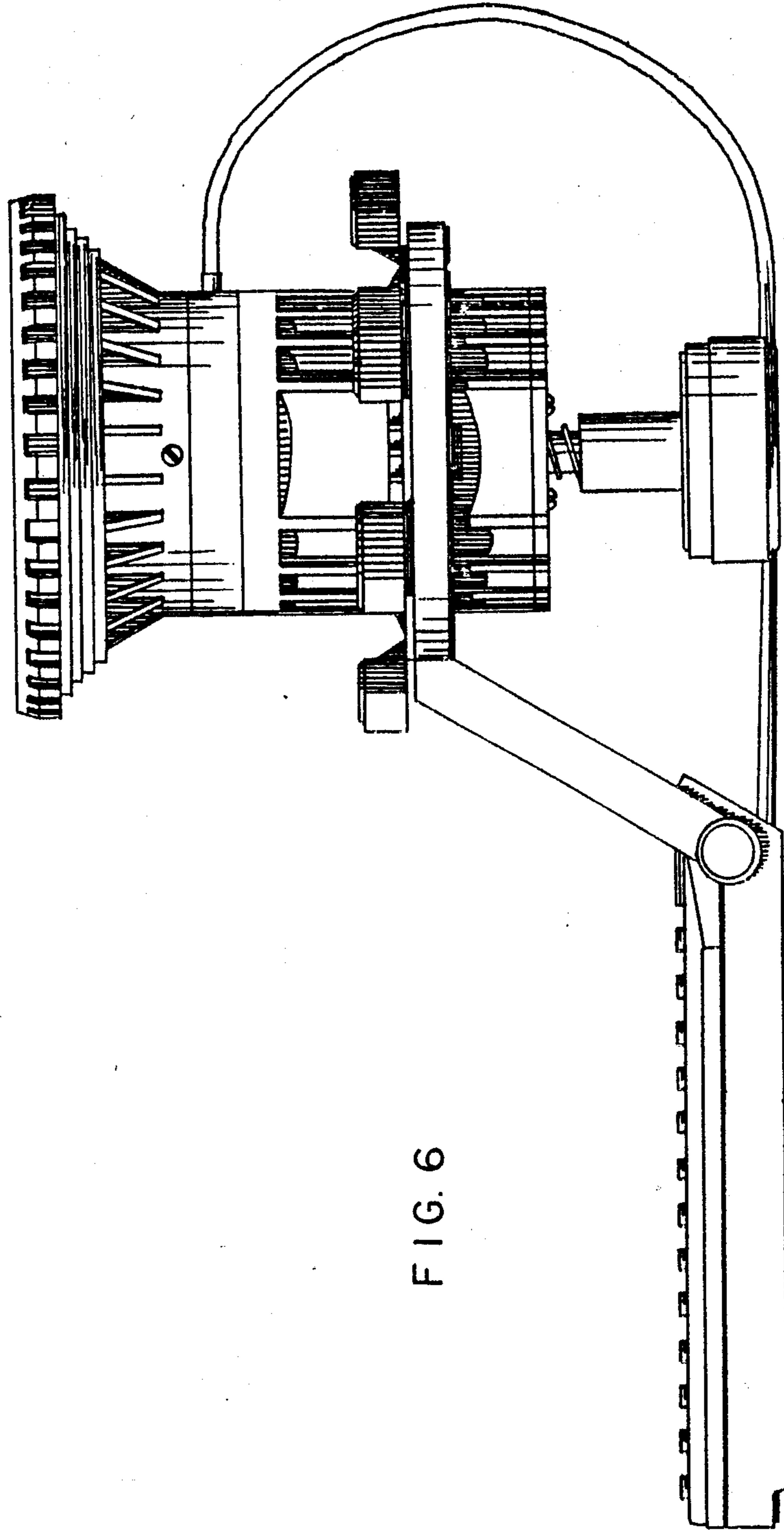


FIG. 6

