

[54] MARINE GAS CONTAINER
 [75] Inventor: Orval L. Fick, Winfield, Kans.
 [73] Assignee: Rubbermaid-Winfield Inc., Winfield, Kans.
 [**] Term: 14 Years
 [21] Appl. No.: 919,814
 [22] Filed: Oct. 16, 1986
 [52] U.S. Cl. D9/376
 [58] Field of Search D9/375, 376, 309;
 D21/236, 237; D3/30.1, 40; 222/465.1; 220/1
 B-1 R, 1 S, 1 V; 441/132, 136, 90; 215/1 R, 1
 C; D23/202, 203, 204

[56] **References Cited**
U.S. PATENT DOCUMENTS
 D. 181,947 1/1958 Scanland D9/376
 D. 219,446 12/1970 Arros D23/202
 D. 220,313 3/1971 Collie D9/347

D. 258,866 4/1981 Houseman et al. D9/376
 D. 262,776 1/1986 Sandow D9/376
 D. 287,226 12/1986 Lyons D9/376
 D. 291,282 8/1987 Belletire D9/376
 D. 296,420 6/1988 Frahm et al. D9/371

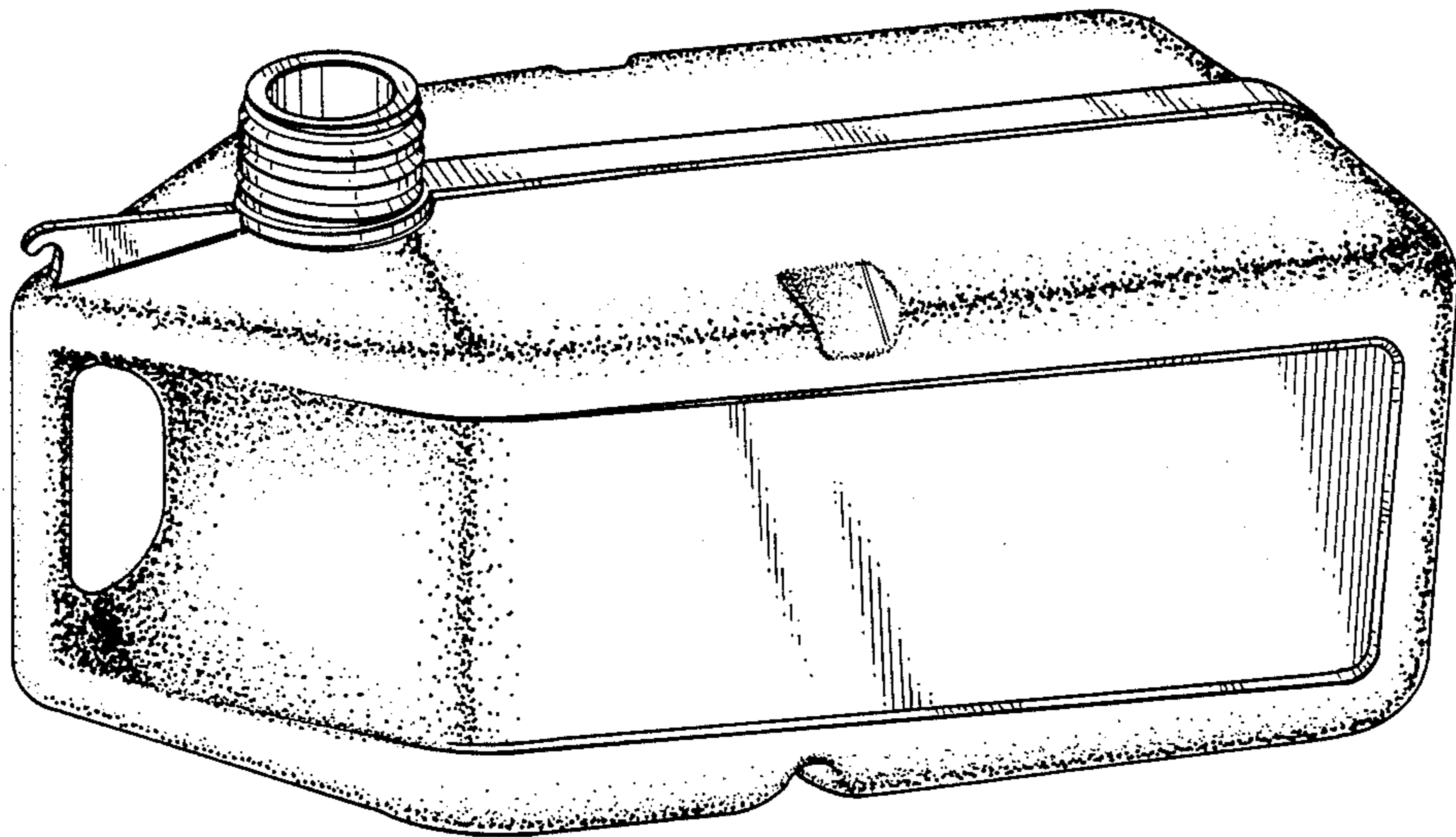
Primary Examiner—Melvin B. Feifer
Assistant Examiner—C. Tuttle
Attorney, Agent, or Firm—Richard B. O'Planick

[57] CLAIM

The ornamental design for a marine gas container, as shown and described.

DESCRIPTION

FIG. 1 is a perspective view of a marine gas container embodying my new design.
 FIG. 2 is a top plan view thereof.
 FIG. 3 is a front elevation view thereof.
 FIG. 4 is a rear elevational view thereof.
 FIG. 5 is a side elevational view thereof.
 FIG. 6 is a bottom plan view thereof.



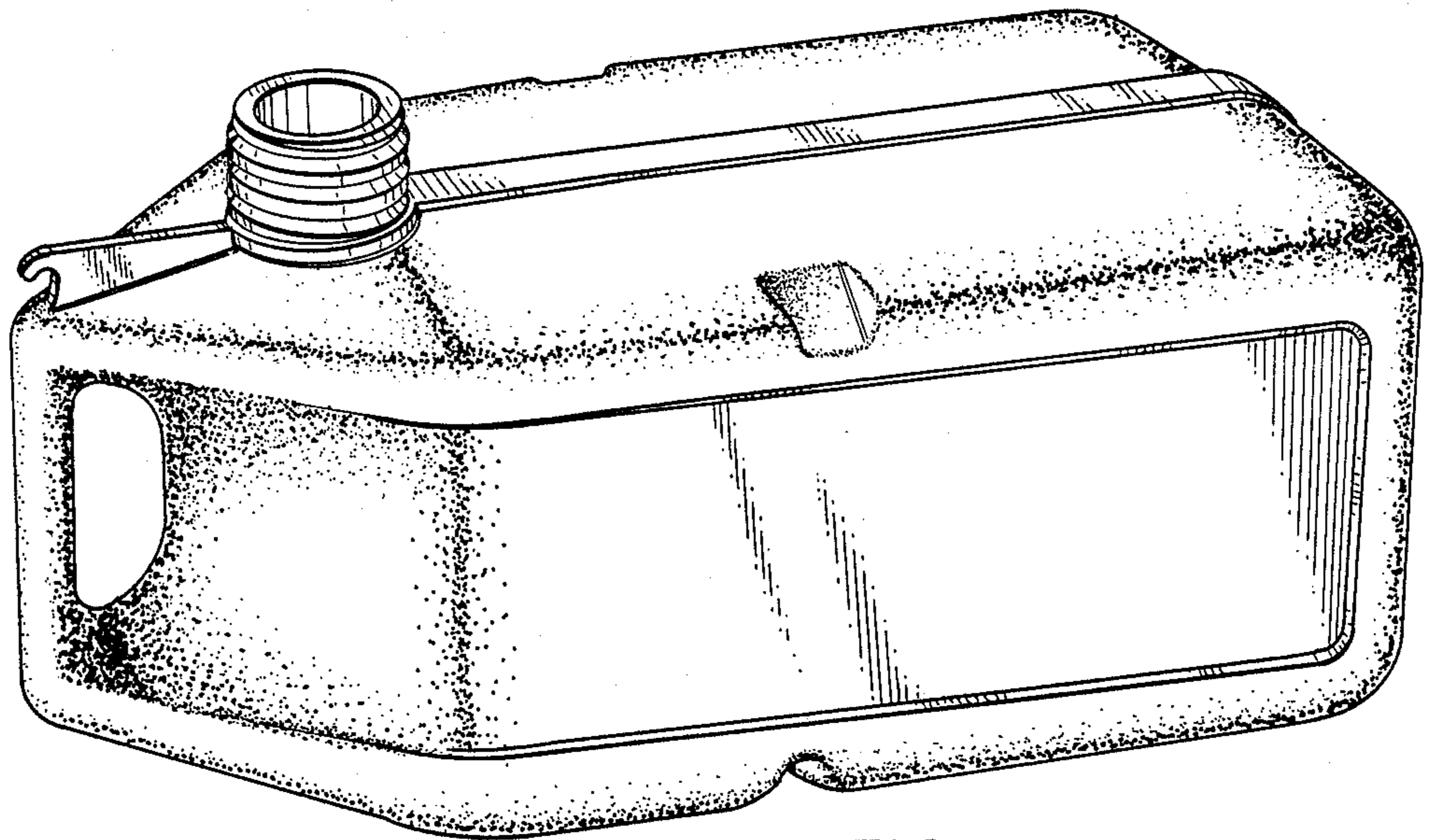


FIG. 1

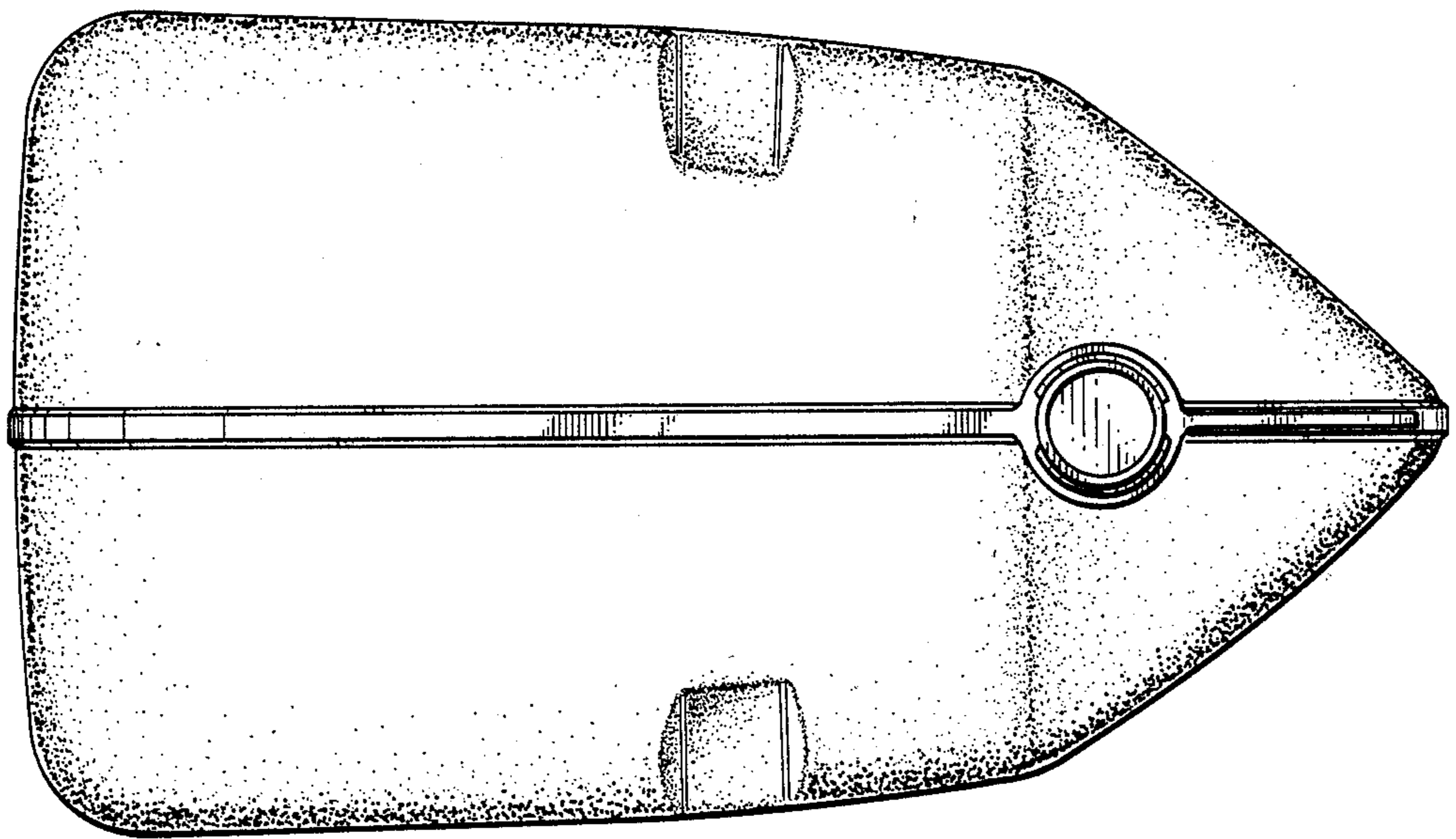


FIG. 2

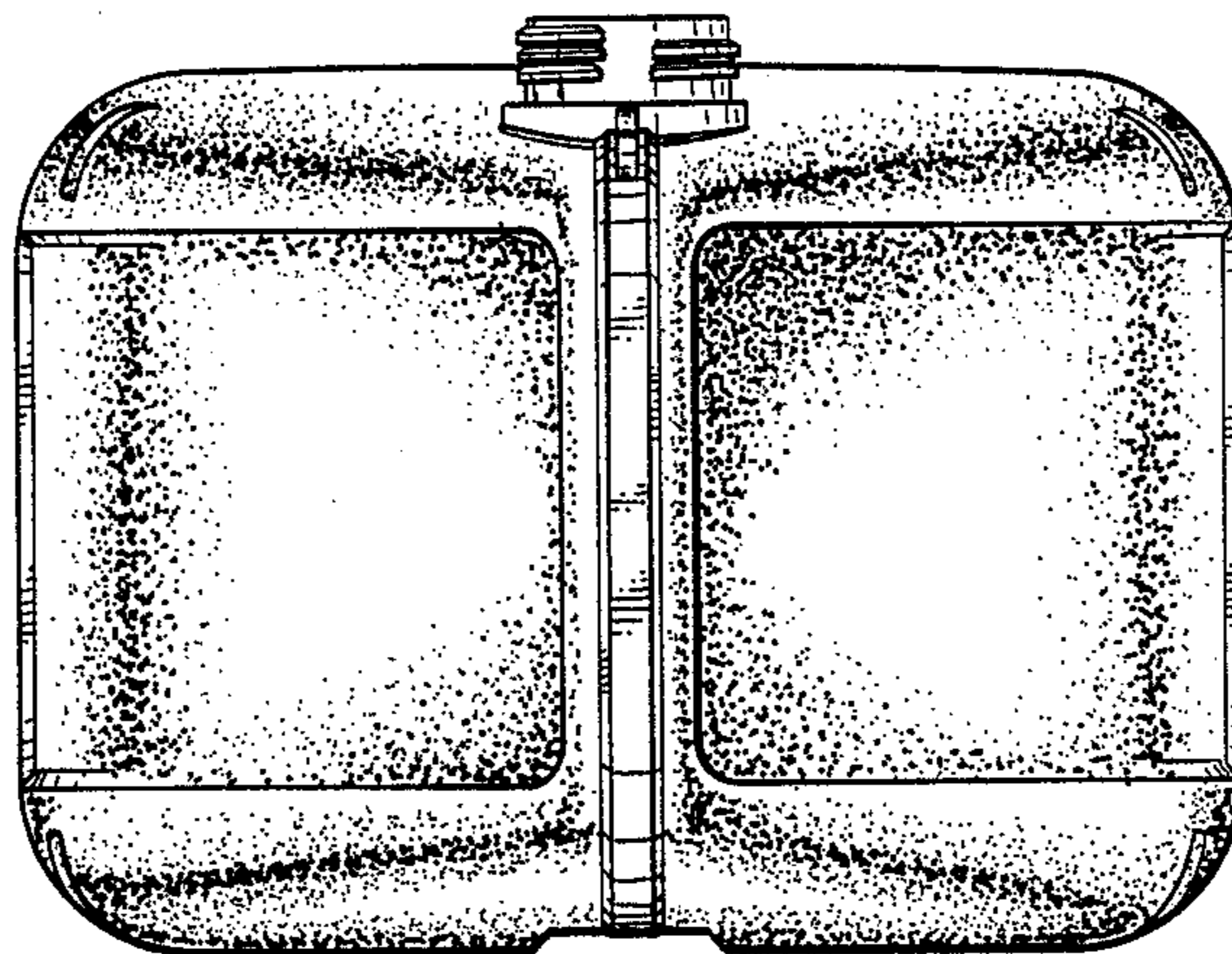


FIG. 3

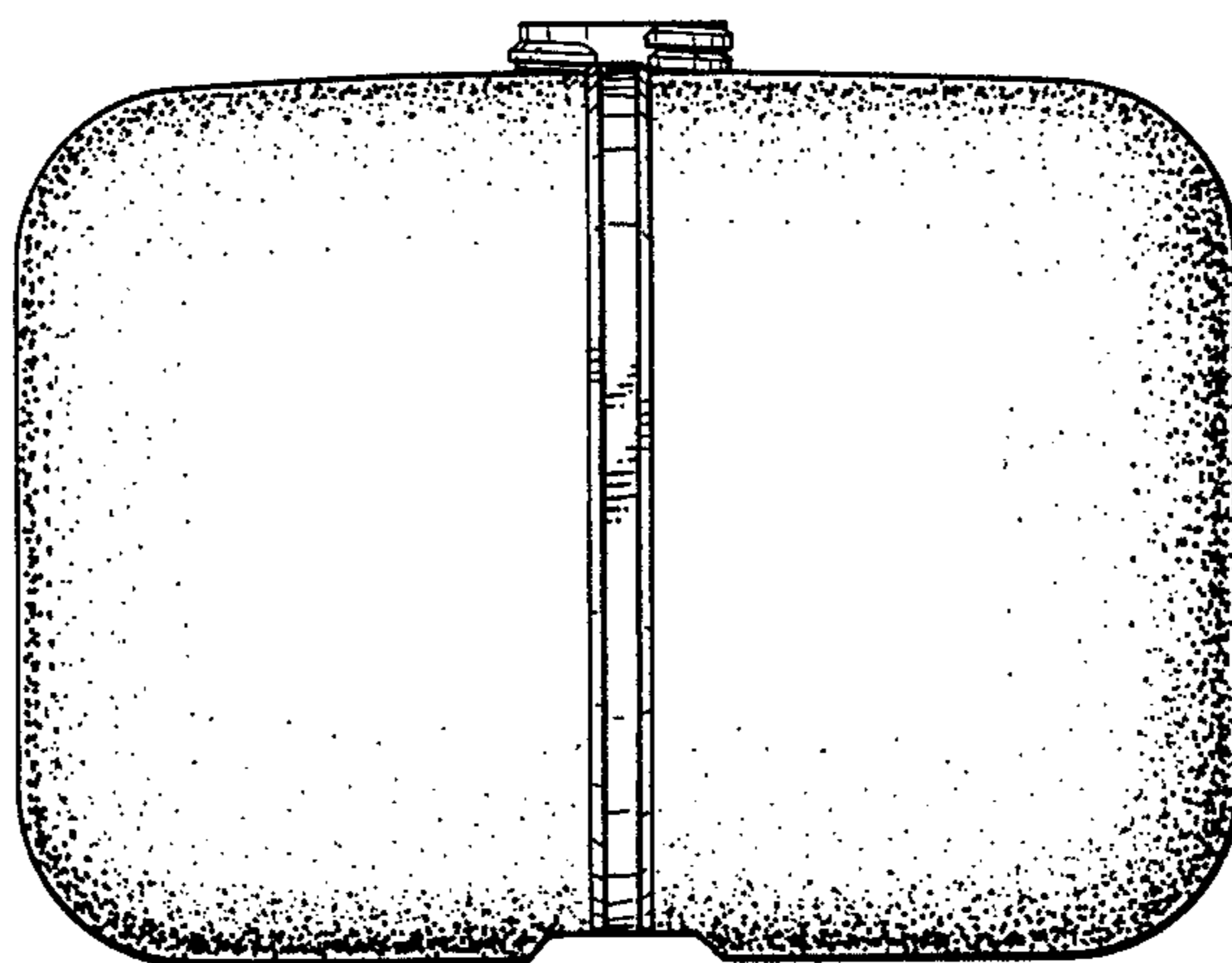


FIG. 4

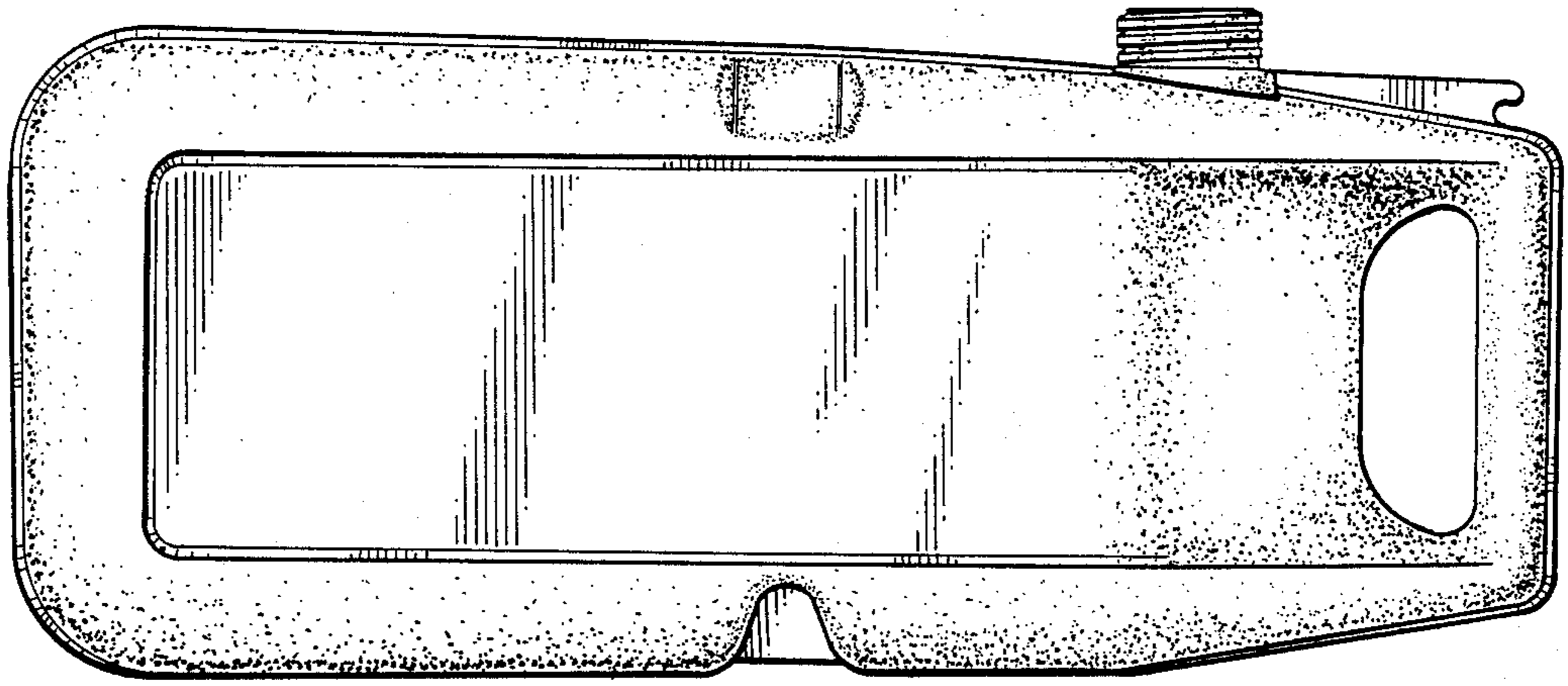


FIG. 5

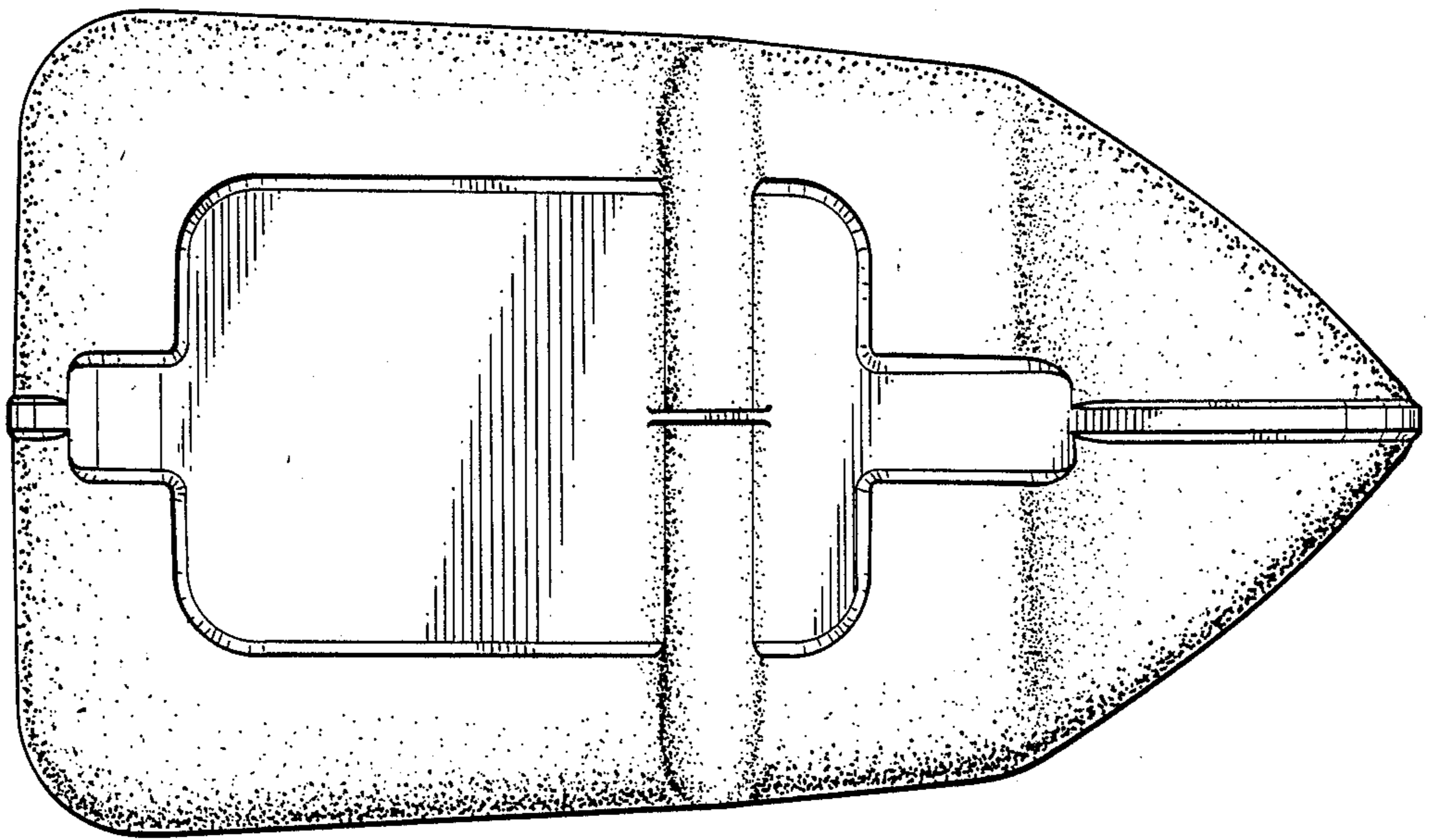


FIG. 6