

- [54] BOTTLE
- [75] Inventors: Donald D. Cochran, Bartlett; Stephen W. Cornell, Wheaton, both of Ill.
- [73] Assignee: American National Can Company, Chicago, Ill.
- [**] Term: 14 Years
- [21] Appl. No.: 200,181
- [22] Filed: May 31, 1988
- [52] U.S. Cl. D9/370; D9/394; D9/396
- [58] Field of Search D9/370, 349-353, D9/355, 390-399, 400; 215/1 R, 1 C; 220/70, 69

- 4,438,856 3/1984 Chang 220/69 X
- 4,465,199 8/1984 Aoki 215/1 C

OTHER PUBLICATIONS

Packaging, Sep. 1984, p. 229, photograph on bottom right, Cola Bottle on left.

Primary Examiner—Melvin B. Feifer
Assistant Examiner—Lucy Lieberman
Attorney, Agent, or Firm—Robert A. Stenzel; Daniel N. Christus

CLAIM

[57] The ornamental design for a bottle, as shown and described.

DESCRIPTION

FIG. 1 is a bottom perspective view of a bottle showing our new design;
FIG. 2 is a front elevational view thereof;
FIG. 3 is a bottom plan view thereof; and,
FIG. 4 is a top plan view thereof.

- [56] **References Cited**
- U.S. PATENT DOCUMENTS**
- D. 58,121 6/1921 Wheaton D9/394
- D. 243,928 4/1977 Frahm et al. D9/351

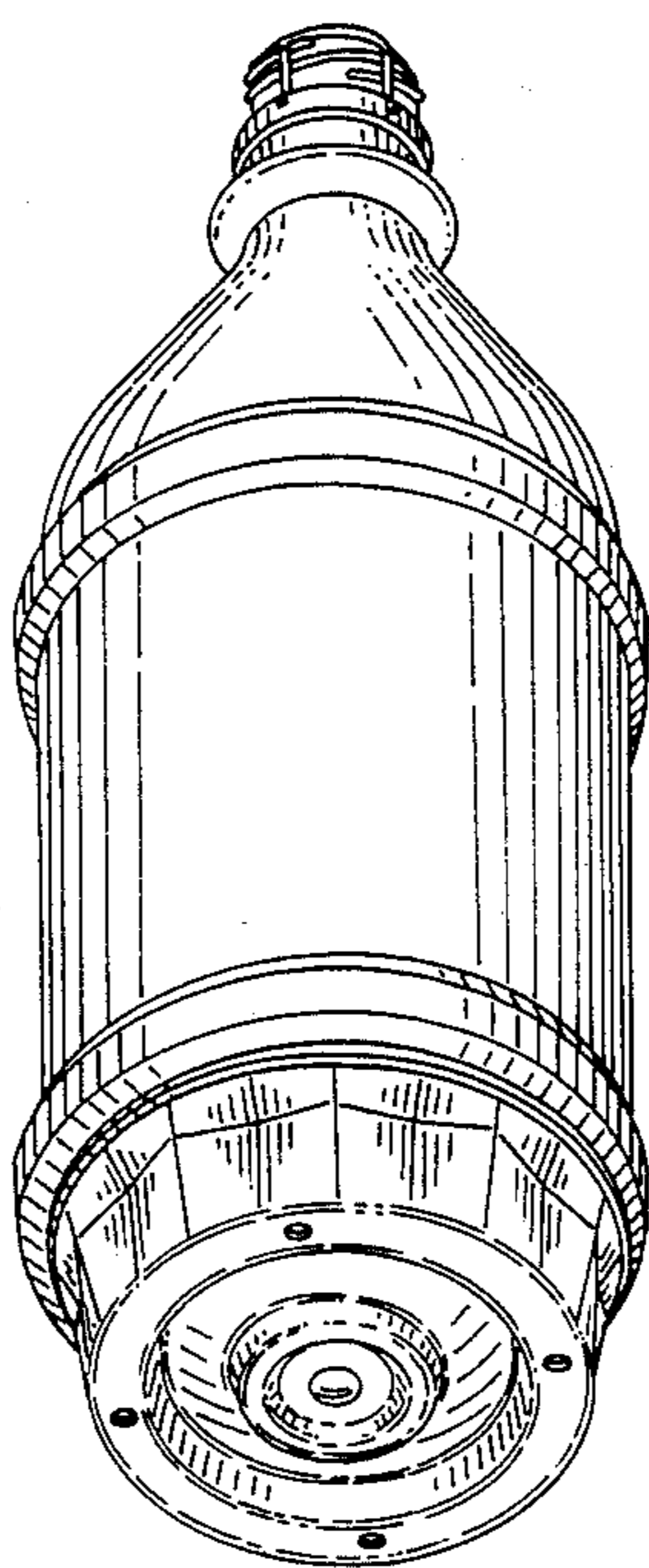


FIG. 1

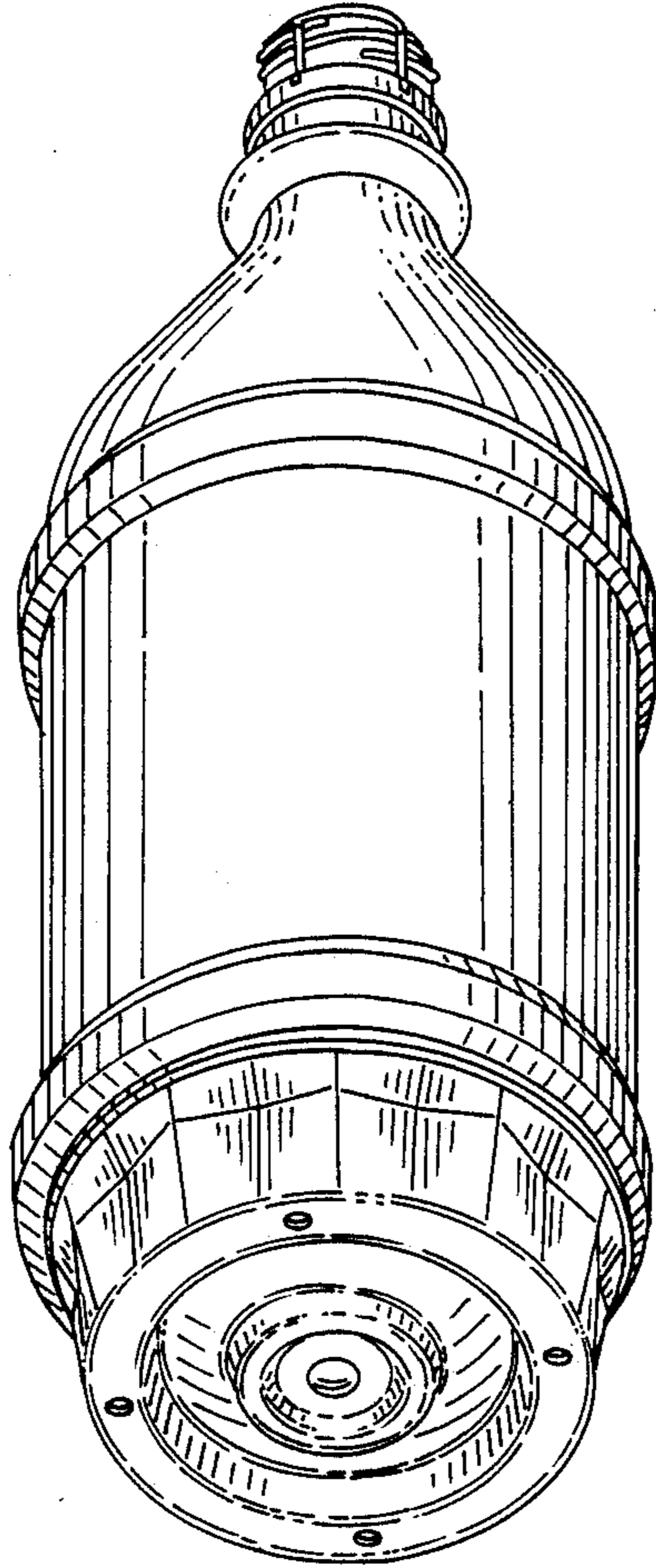


FIG. 2

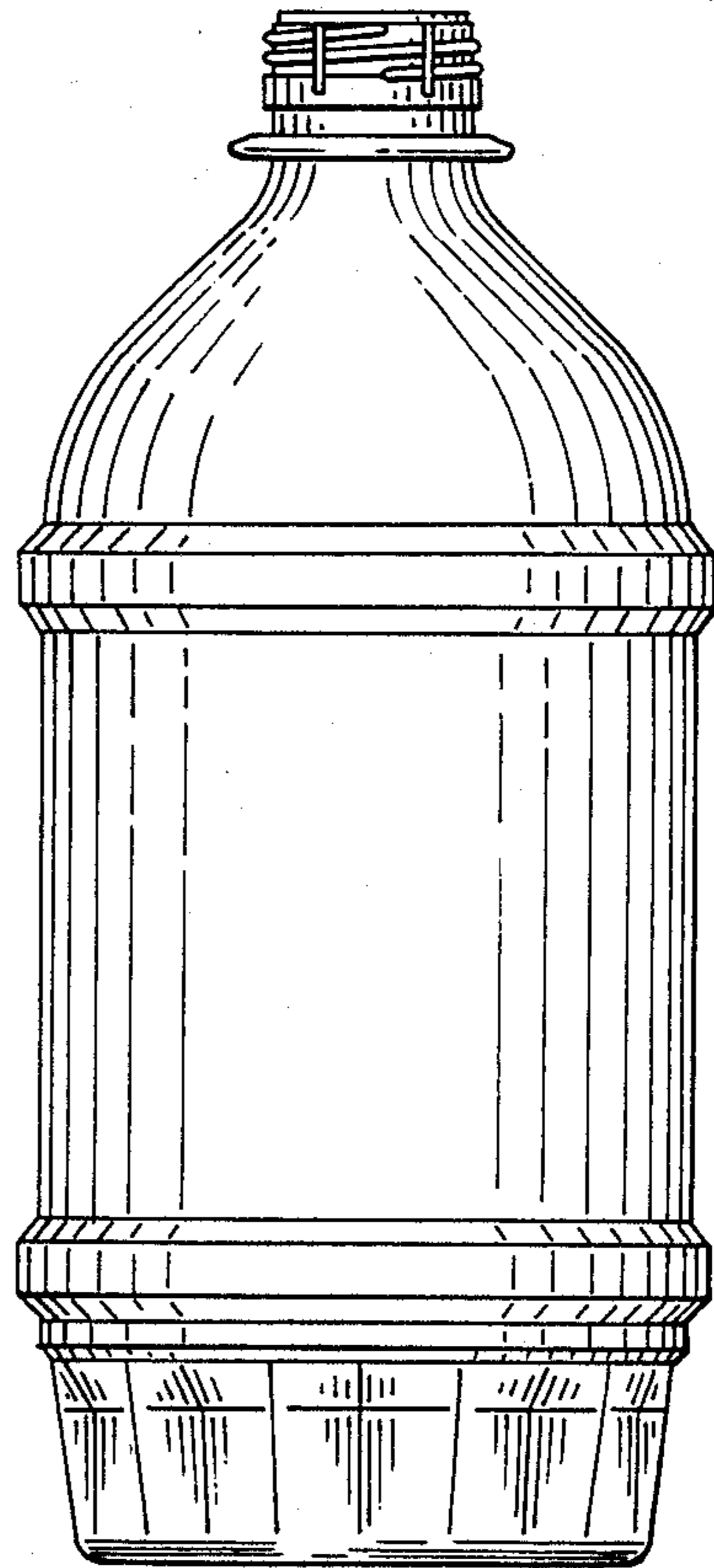


FIG. 3

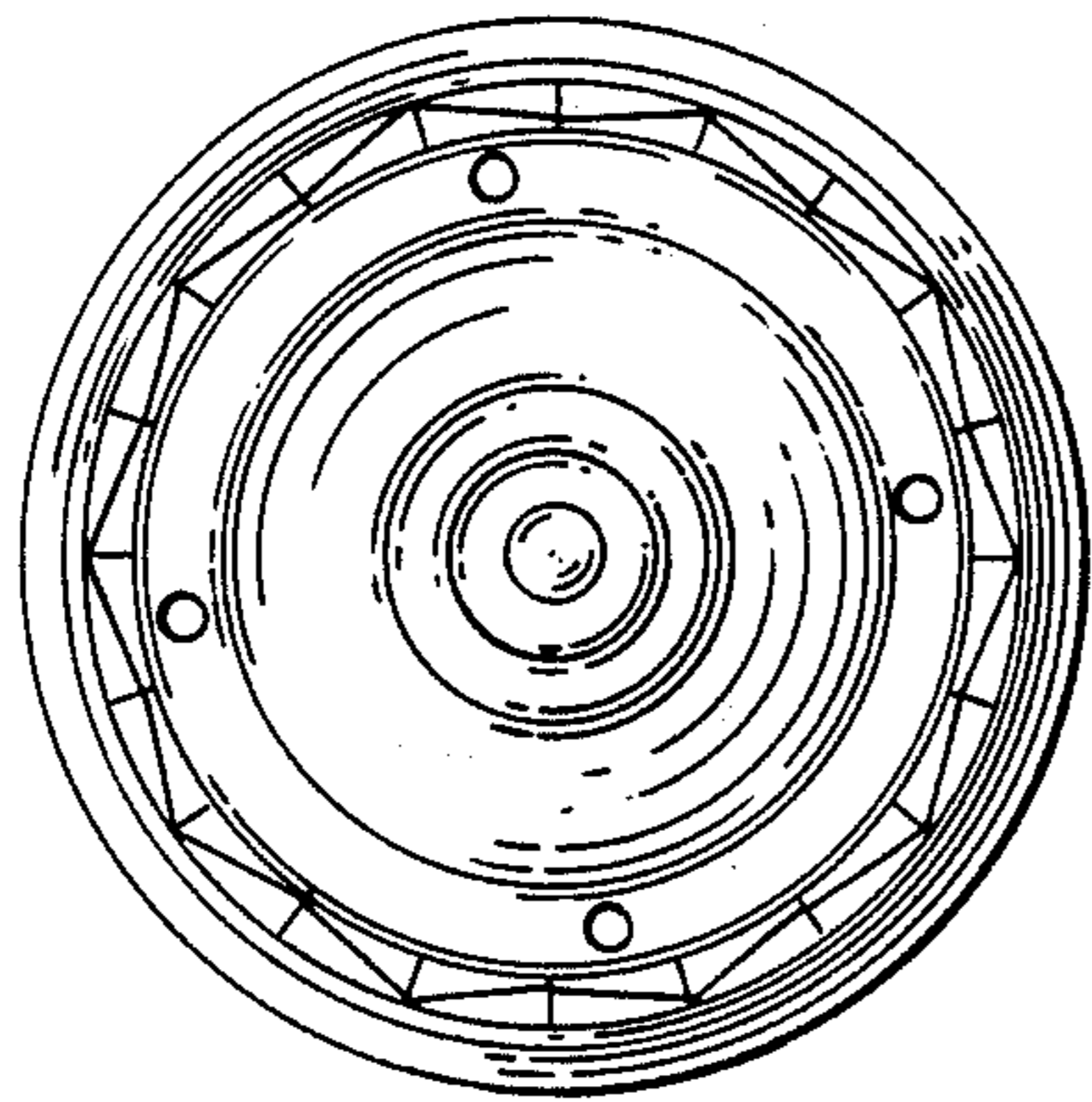


FIG. 4

