

[54] WIRE BRUSH FOR ATTACHMENT TO A POWER TOOL

1,584,997 5/1926 Shultz 15/206 X
3,343,195 9/1967 Menges 15/198

[76] Inventor: Nobuo Nishiki, #406, 15-7, Izuo 4-Chome, Sanko Dai-Roku Heights, Taisho-ku, Osaka-shi, Osaka-fu, Japan

Primary Examiner—Wallace R. Burke
Assistant Examiner—Lavone D. Tabor
Attorney, Agent, or Firm—Fleit, Jacobson, Cohn, Price, Holman & Stern

[**] Term: 14 Years

[57] CLAIM

[21] Appl. No.: 92,933

A design for a wire brush for attachment to a power tool, as shown and described.

[22] Filed: Sep. 4, 1987

DESCRIPTION

[52] U.S. Cl. D8/70; D4/102; D4/127

[58] Field of Search D4/100, 102, 127, 130, D4/134; 15/21 R, 21 D, 159 R, 160, 197-207; D8/70, 90; D15/126, 139

FIG. 1 is a side elevational view of a wire brush for attachment to a power tool showing my new design; FIG. 2 is a right end elevational view thereof; FIG. 3 is a side elevational view thereof, rotated approximately 90 degrees; FIG. 4 is a left end elevational view thereof; and FIG. 5 is a cross sectional view taken along line 5—5 of FIG. 1.

[56] References Cited

U.S. PATENT DOCUMENTS

1,199,148 9/1916 Bemis 15/200
1,516,587 11/1924 Blanch 15/200 X

The undisclosed sides are the same in appearance as the sides shown.

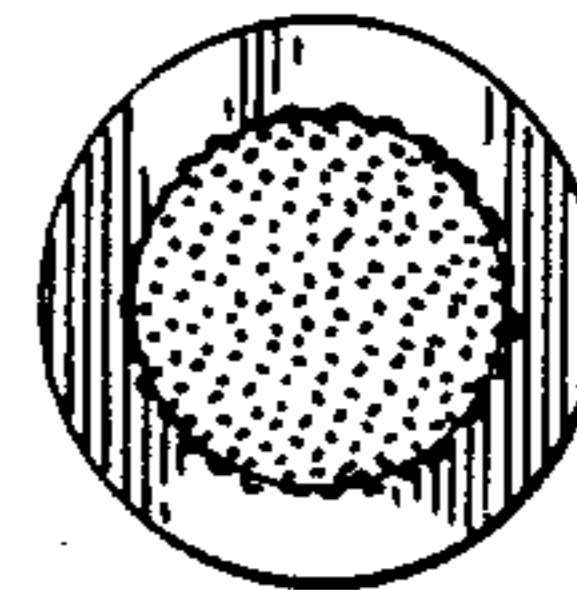
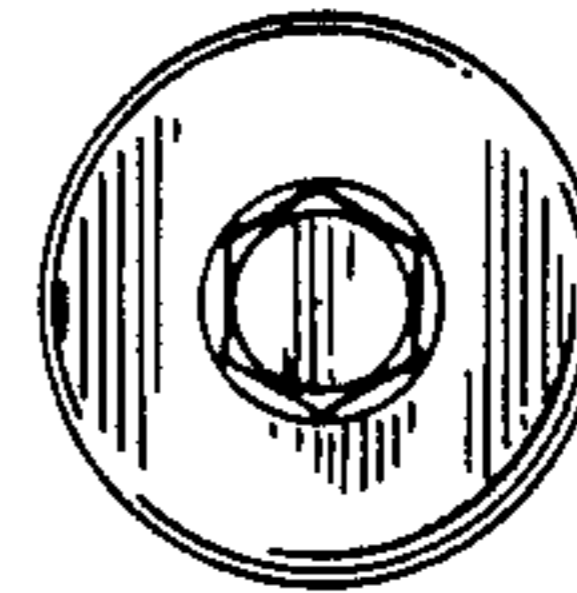
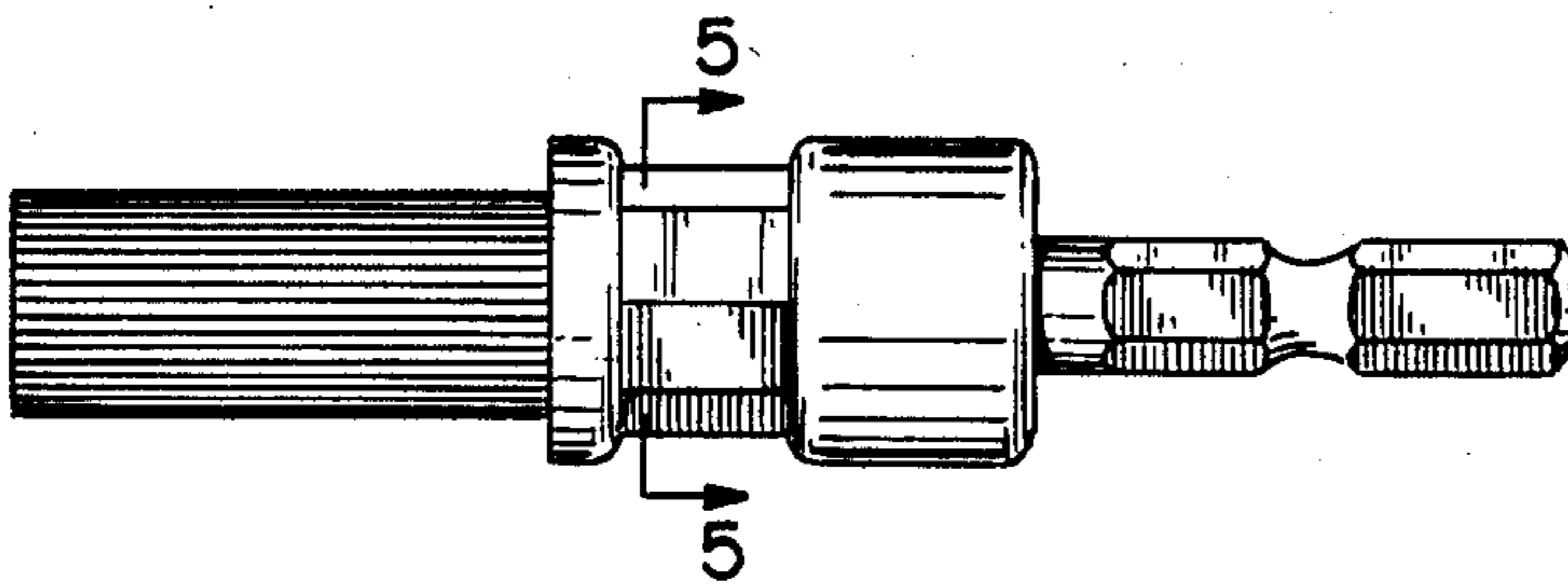


FIG. 1

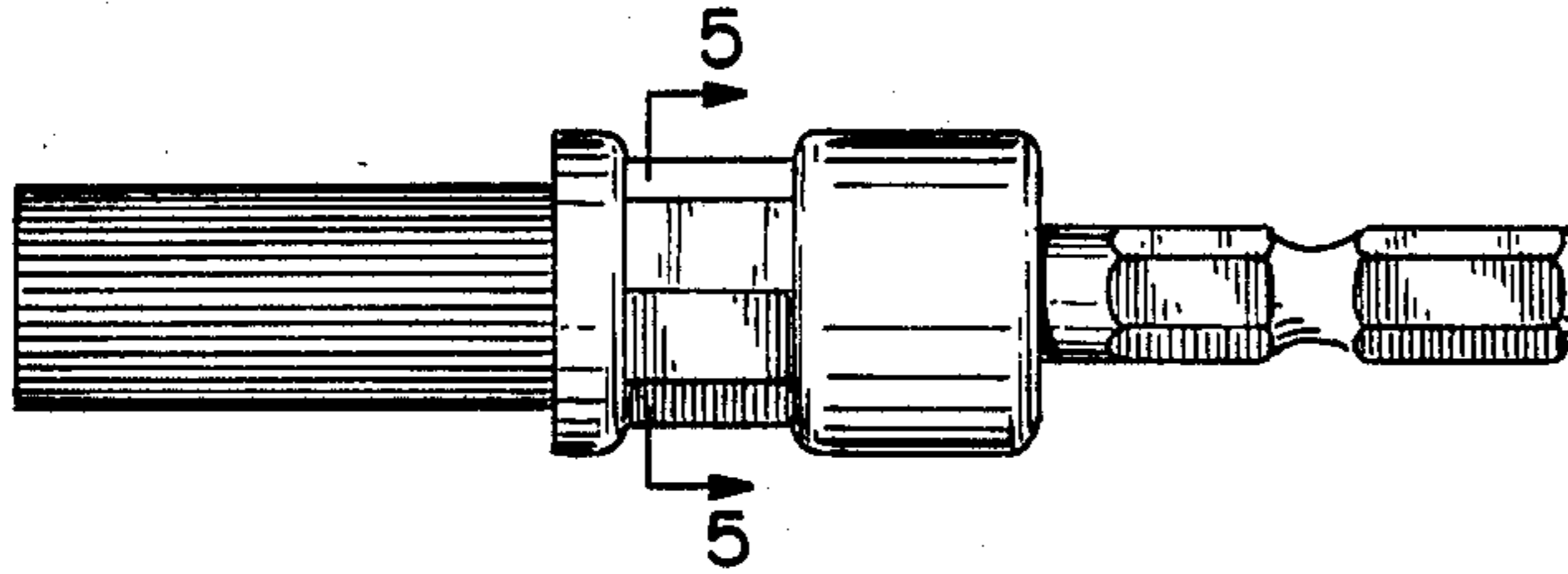


FIG. 2

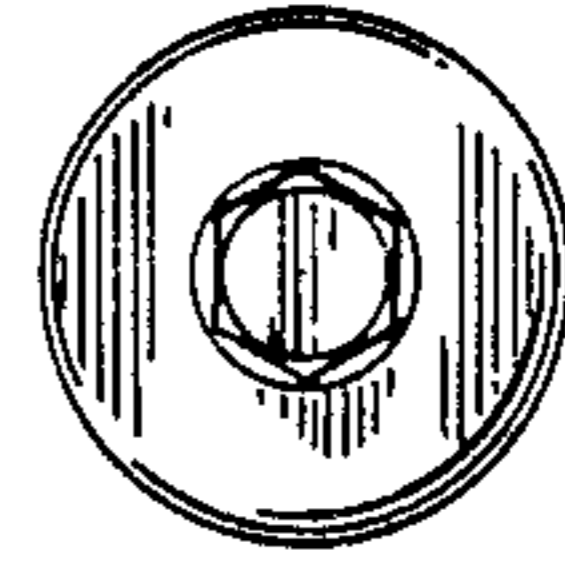


FIG. 3

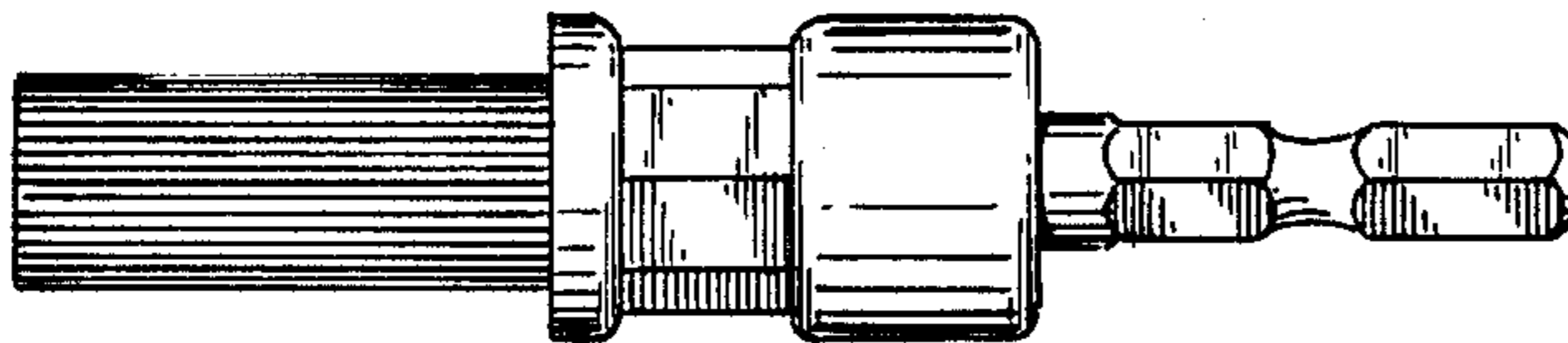


FIG. 4

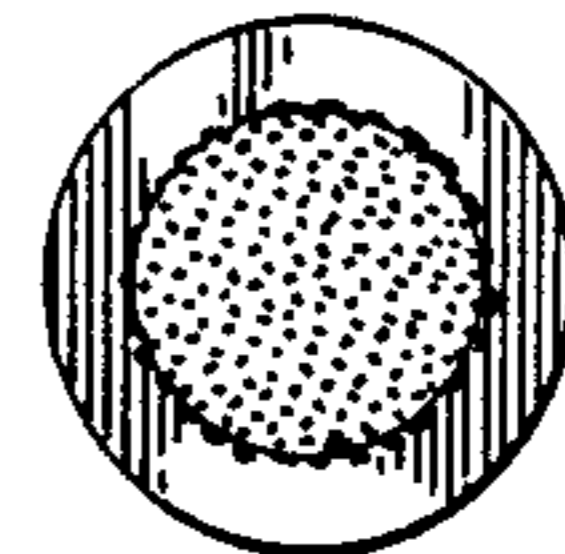
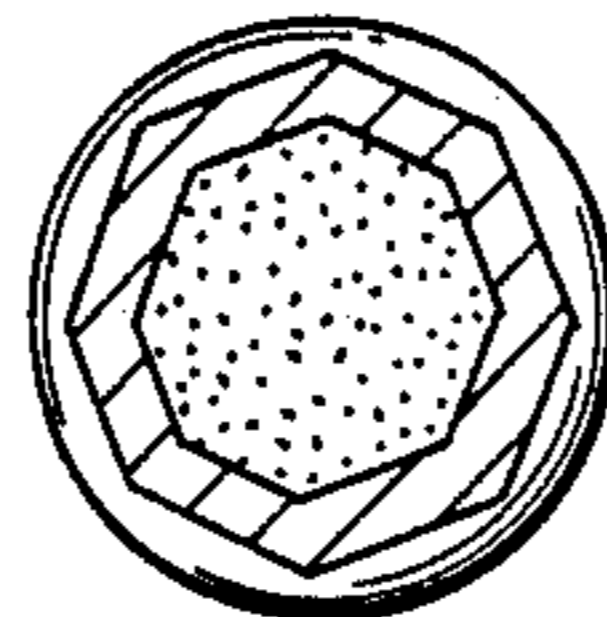


FIG. 5



UNITED STATES PATENT AND TRADEMARK OFFICE
CERTIFICATE OF CORRECTION

PATENT NO. : Des. 308,623
DATED : June 19, 1990
INVENTOR(S) : Nobuo NISHIKI

It is certified that error appears in the above-identified patent and that said Letters Patent is hereby corrected as shown below:

On the title page: Item [75]

--No. 406, Sanko Dai-Roku Heights
15-7, Izuo 4-chome, Taisho-ku, Osaka-shi
Osaka-fu, JAPAN--

Signed and Sealed this
Third Day of May, 1994



BRUCE LEHMAN

Commissioner of Patents and Trademarks

Attest:

Attesting Officer