

# United States Patent [19]

Fushiya et al.

[11] Patent Number: Des. 308,622

[45] Date of Patent: \*\* Jun. 19, 1990

[54] ELECTRIC SCREWDRIVER

3,524,088 8/1970 Ryckman, Jr. .... 310/50  
3,935,909 2/1976 Mabuchi ..... 173/163

[75] Inventors: Fusao Fushiya; Hiroya Yabumoto,  
both of Anjo, Japan

### FOREIGN PATENT DOCUMENTS

[73] Assignee: Makita Electric Works, Ltd., Anjo,  
Japan

373351 11/1963 Switzerland ..... 310/50

[\*\*] Term: 14 Years

Primary Examiner—Winifred E. Herrmann  
Assistant Examiner—John Warchol  
Attorney, Agent, or Firm—Lahive & Cockfield

[21] Appl. No.: 77,321

[57] CLAIM

[22] Filed: Jul. 24, 1987

The ornamental design for an electric screwdriver, as shown.

### [30] Foreign Application Priority Data

Feb. 2, 1987 [JP] Japan ..... 62-3931  
[52] U.S. Cl. .... D8/61; D8/30  
[58] Field of Search ..... D8/30, 61, 62, 82, 83;  
D7/139; D4/100, 101; D19/53; 81/54, 57.11,  
57.13, 57.14, 57.26; 173/163; 310/50

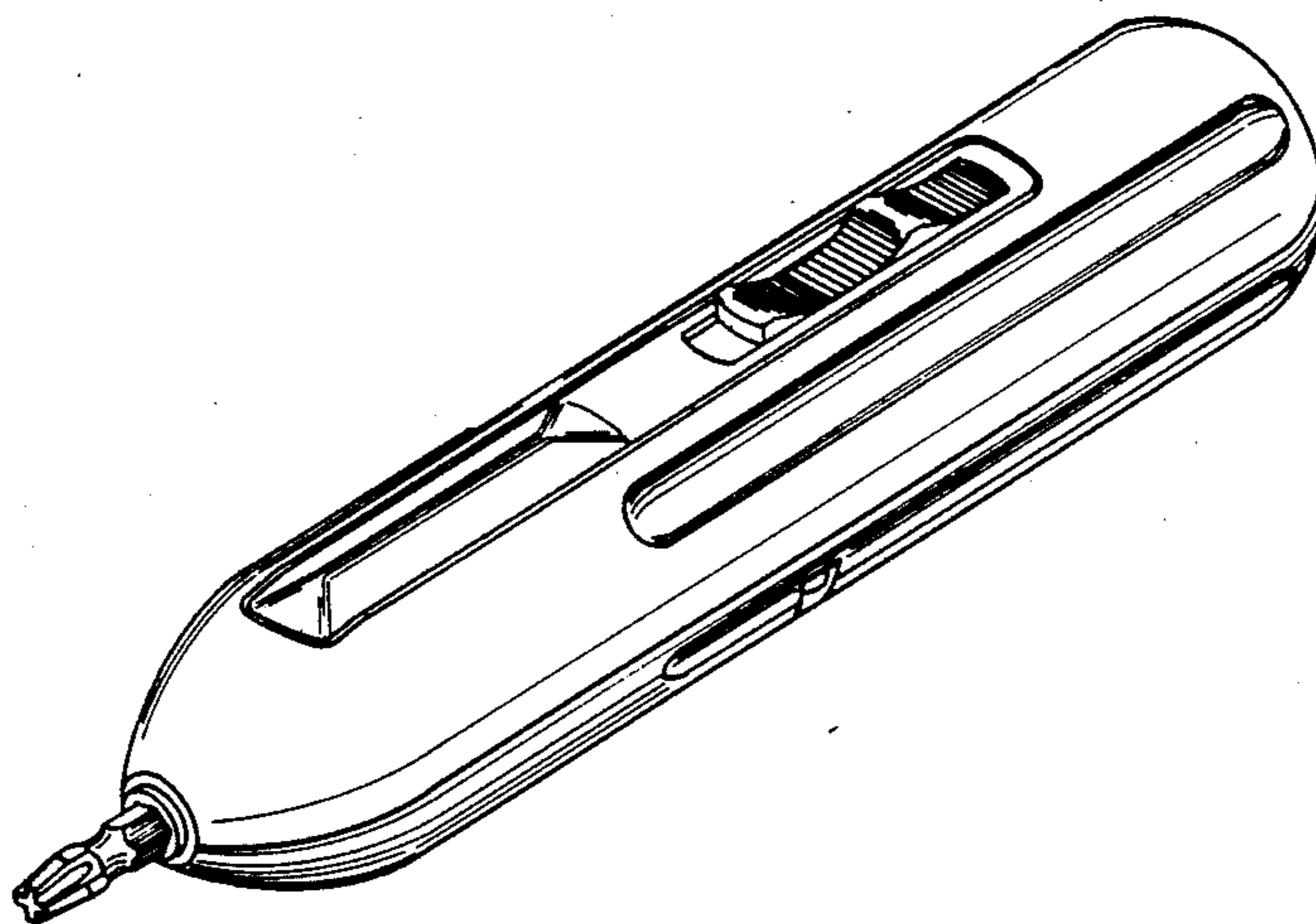
### DESCRIPTION

FIG. 1 is a top, front and right side perspective view of an electric screwdriver showing the new design;  
FIG. 2 is a top, rear and left side perspective view thereof;  
FIG. 3 is a top plan view thereof;  
FIG. 4 is a right side elevational view thereof;  
FIG. 5 is a bottom plan view thereof;  
FIG. 6 is a left side elevational view thereof;  
FIG. 7 is a front elevational view thereof; and  
FIG. 8 is a rear elevational view thereof.

### [56] References Cited

#### U.S. PATENT DOCUMENTS

D. 301,011 5/1989 Gardner ..... D8/30  
2,241,464 5/1941 Koch ..... 173/163



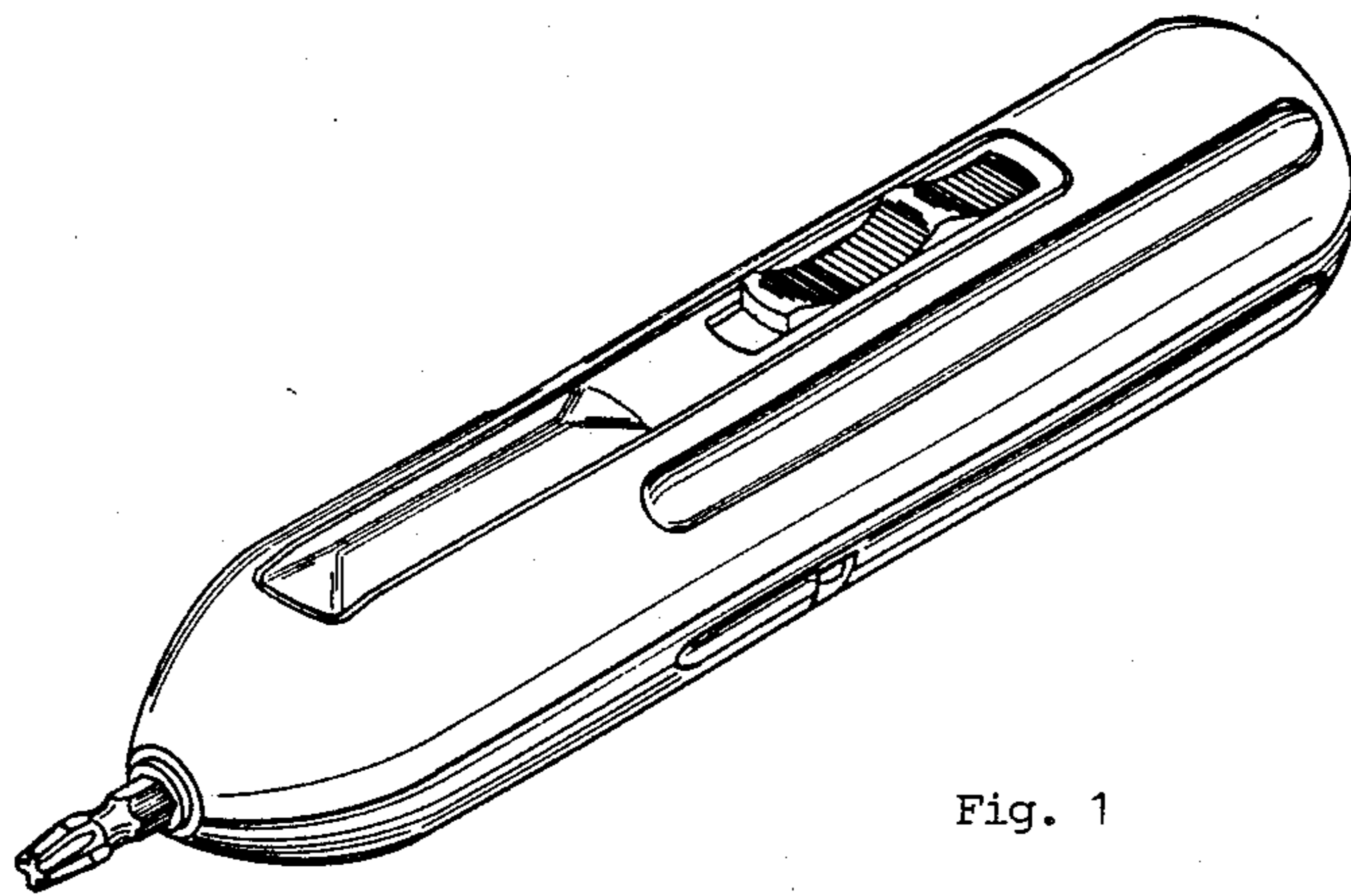


Fig. 1

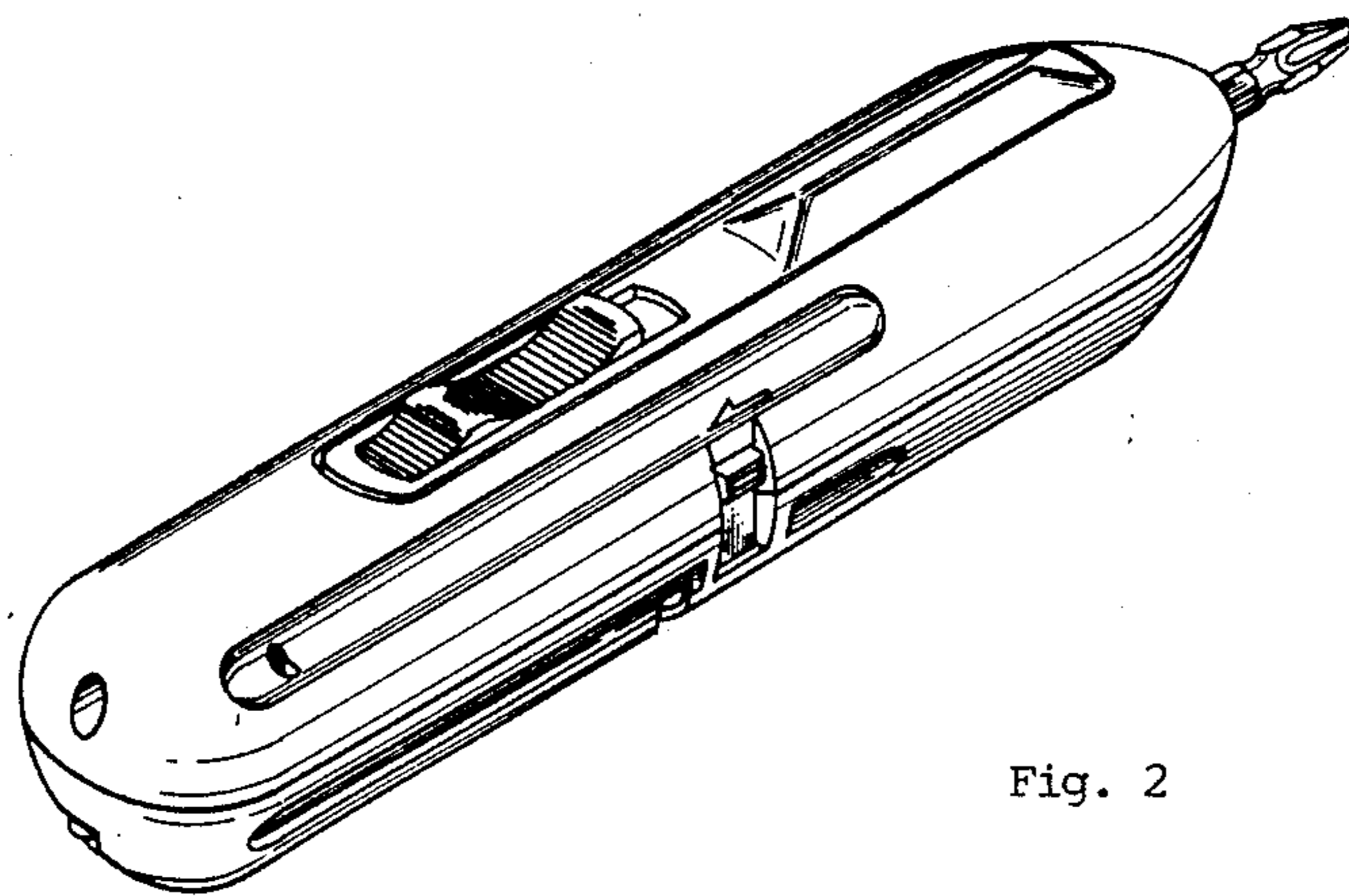


Fig. 2

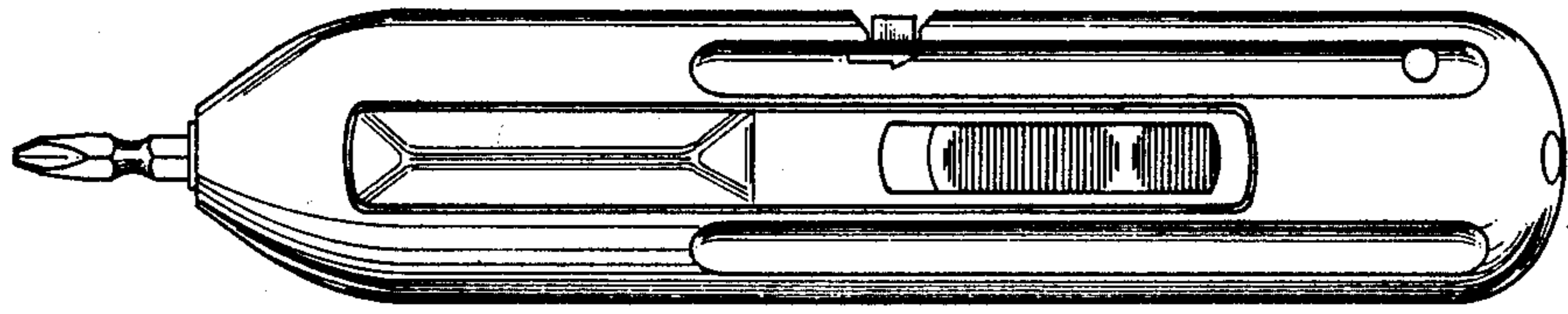


Fig. 3

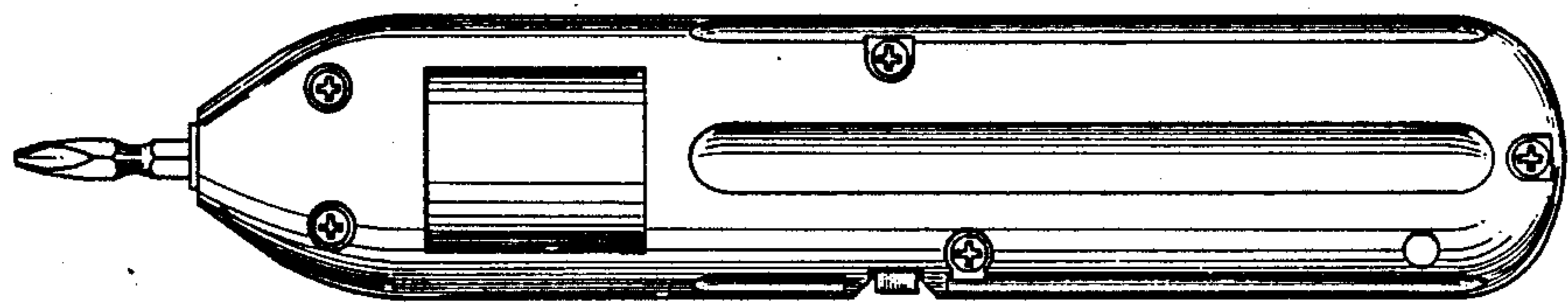


Fig. 5

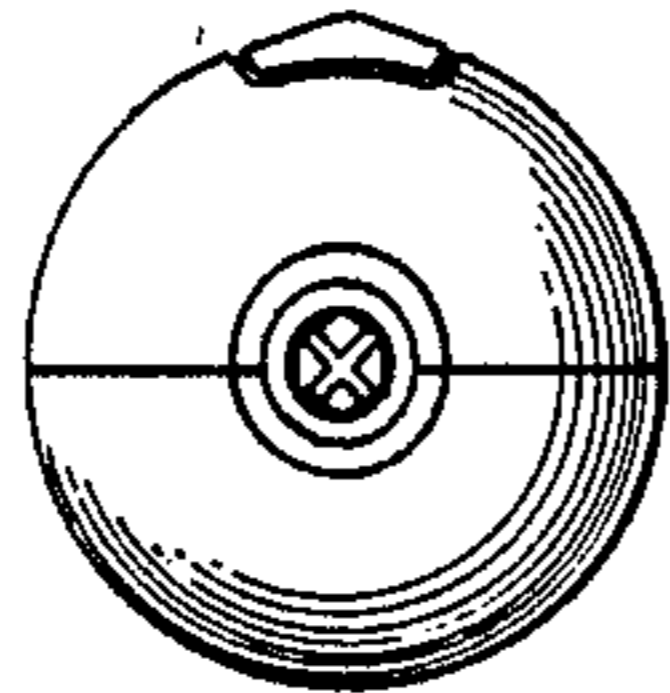


Fig. 7

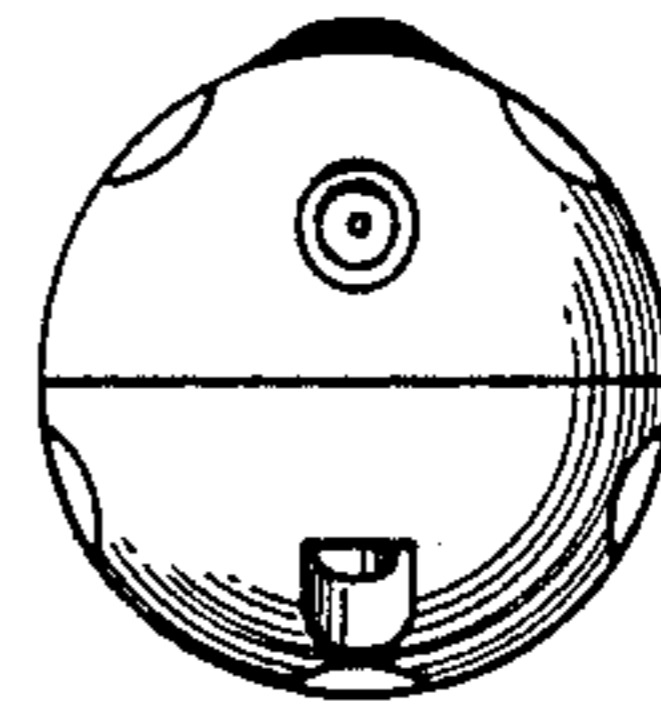


Fig. 8

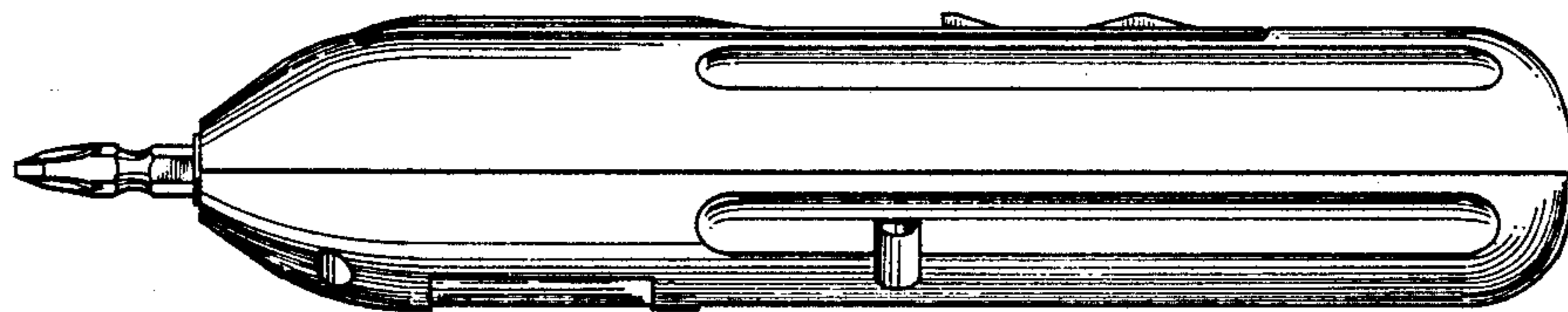


Fig. 4

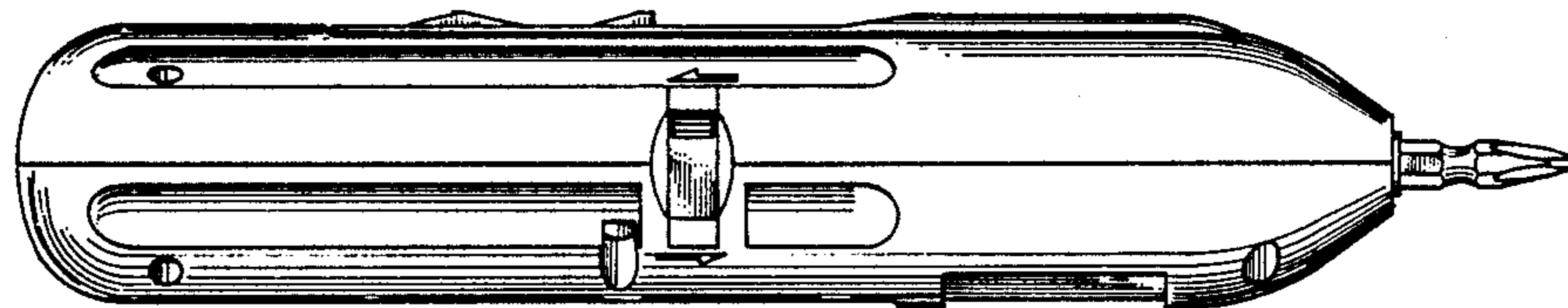


Fig. 6