

[54] TOOL TO ROLL FILETS IN A UNIFORM MANNER

[75] Inventors: Soliman Y. K. Shenouda, Tarrytown, N.Y.; Patrick McDonnell, Fairfield, Conn.; Nabil A. El-Hag, Putnam Valley, N.Y.

[73] Assignee: Kraft General Foods, Inc., Glenview, Ill.

[\*\*] Term: 14 Years

[21] Appl. No.: 150,565

[22] Filed: Jan. 28, 1988

[52] U.S. Cl. .... D7/697

[58] Field of Search ..... D7/99; 294/55.5; 99/494, 450.5

[56] References Cited

U.S. PATENT DOCUMENTS

3,270,368 9/1966 Cook, Sr. et al. .... 17/66

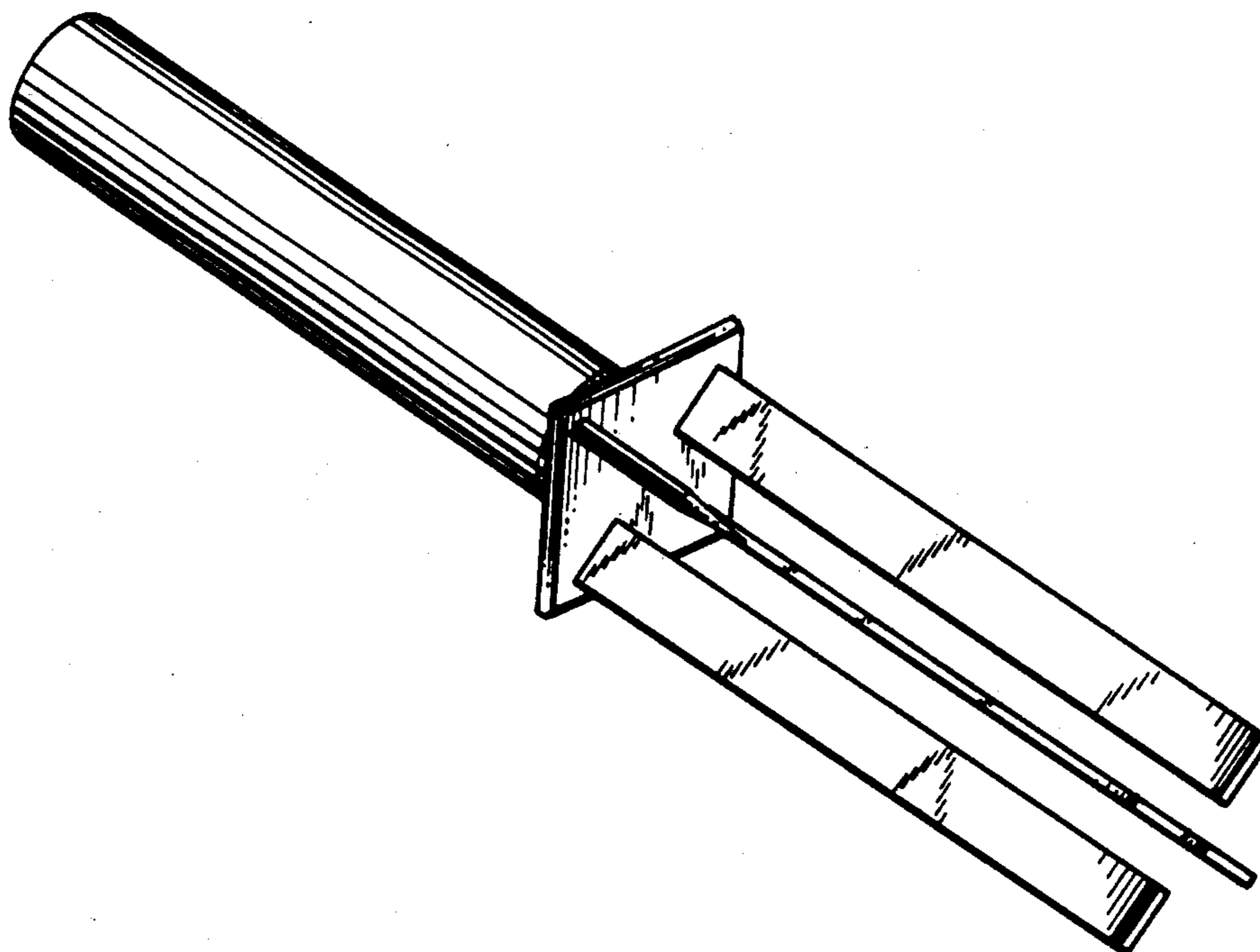
Primary Examiner—Bernard Ansher  
Assistant Examiner—Terry A. Pfeffer  
Attorney, Agent, or Firm—Sam D. Walker; Thomas A. Marcoux; Thomas R. Savoie

[57] CLAIM

The ornamental design for a tool to roll filets in a uniform manner, as shown.

DESCRIPTION

FIG. 1 is a top, front, right side perspective view of a tool to roll filets in a uniform manner showing our new design;  
FIG. 2 is a side view of the tool with the hook on the top thereof;  
FIG. 3 is a side view of the tool with the hook on the bottom thereof;  
FIG. 4 is a left side elevational view thereof; and  
FIG. 5 is a right side elevational view thereof.



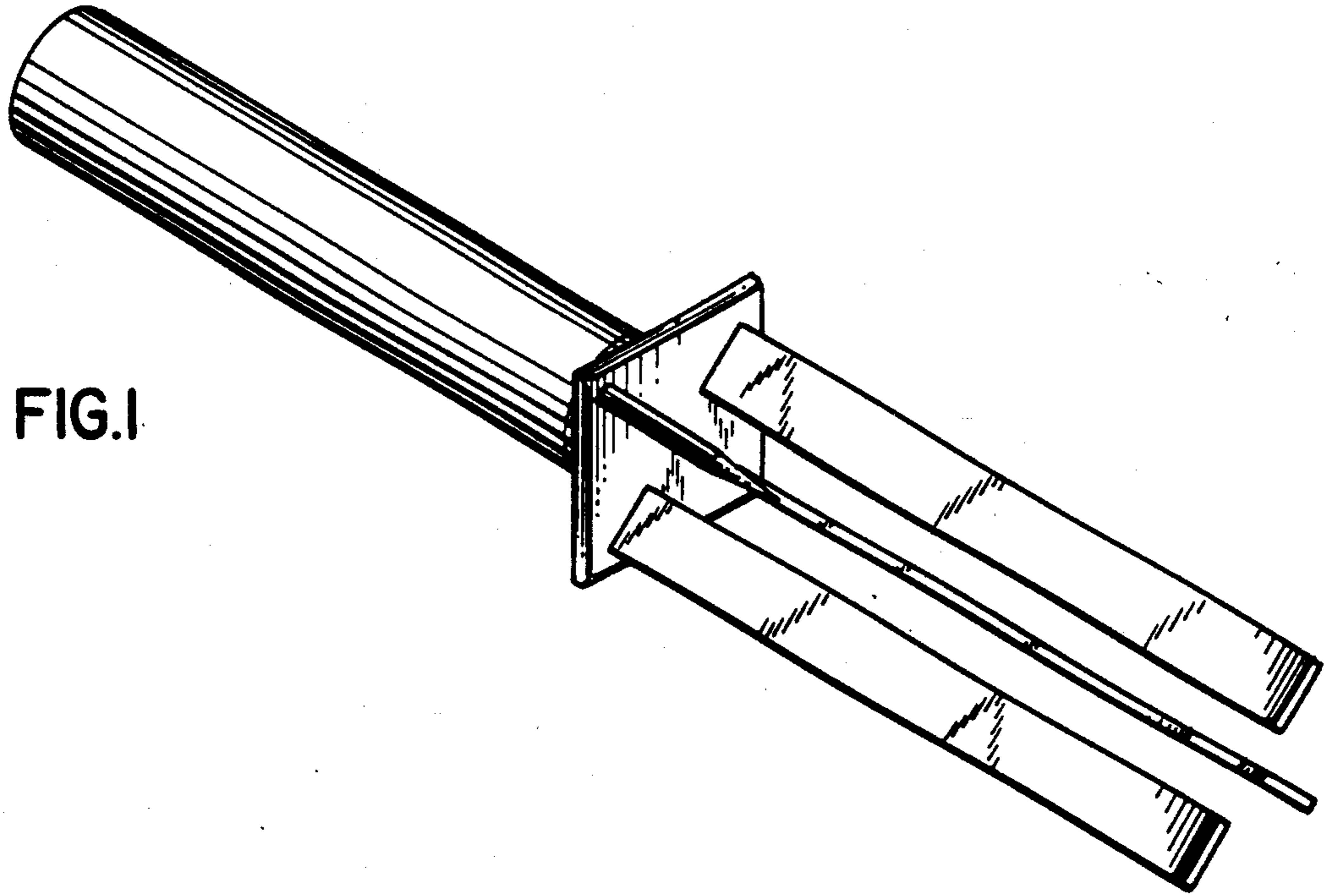


FIG. 1

FIG. 2



FIG. 3



FIG. 4

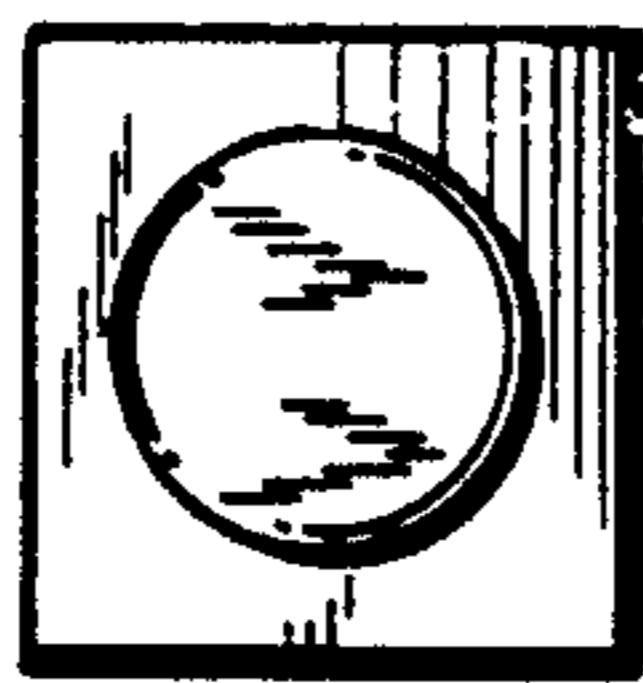


FIG. 5

