

[54] **PEDESTAL TABLE**

[75] **Inventor: Manfred Hubert, La Tronche, France**

[73] **Assignee: Allibert S.A., Grenoble, France**

[\*\*] **Term: 14 Years**

[21] **Appl. No.: 12,064**

[22] **Filed: Feb. 6, 1987**

[30] **Foreign Application Priority Data**

Aug. 13, 1986 [IB] Int'l Pat. Institute ..... 000528  
[52] **U.S. Cl. .... D6/486**  
[58] **Field of Search ..... D6/396, 449, 480, 485, D6/486; 108/111, 150, 153, 157**

[56] **References Cited**

**U.S. PATENT DOCUMENTS**

D. 199,983	1/1965	Carr .....	D6/486
D. 236,301	8/1975	Muddle .....	D6/486
315,310	4/1885	Matthews .....	108/150 X
1,268,191	6/1918	Wanner .....	108/150
1,899,835	2/1933	Thum .....	108/150 X
1,935,682	11/1933	Wege .....	108/150

*Primary Examiner*—Bruce W. Dunkins  
*Assistant Examiner*—Schon C. Oppert  
*Attorney, Agent, or Firm*—Young & Thompson

[57] **CLAIM**

The ornamental design for a pedestal table, as shown and described.

**DESCRIPTION**

FIG. 1 is a top perspective view of the pedestal table showing my new design;  
FIG. 2 is a side perspective view thereof;  
FIG. 3 is a bottom perspective view thereof; and  
FIG. 4 is a top plan view thereof.

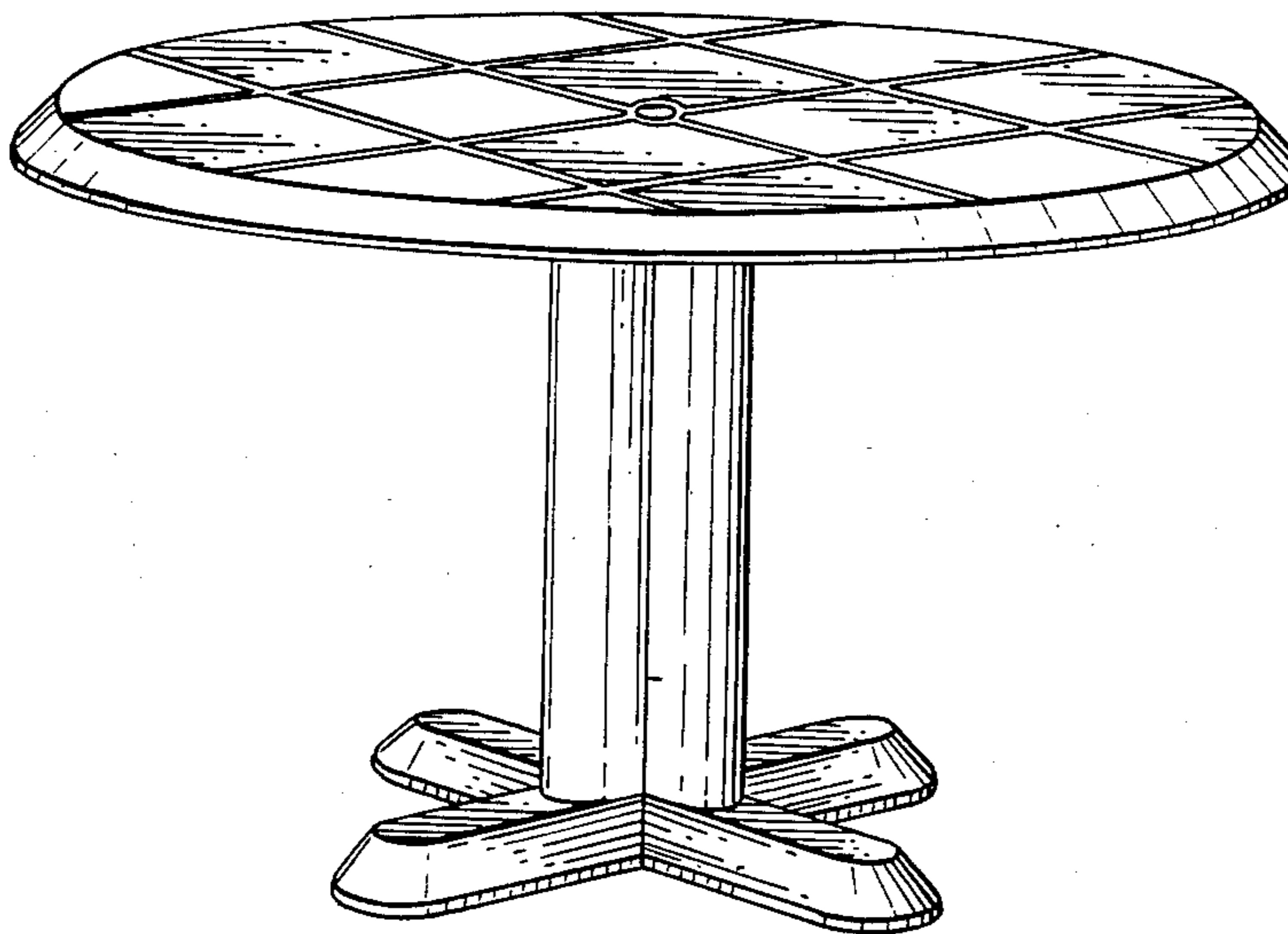


FIG. 1

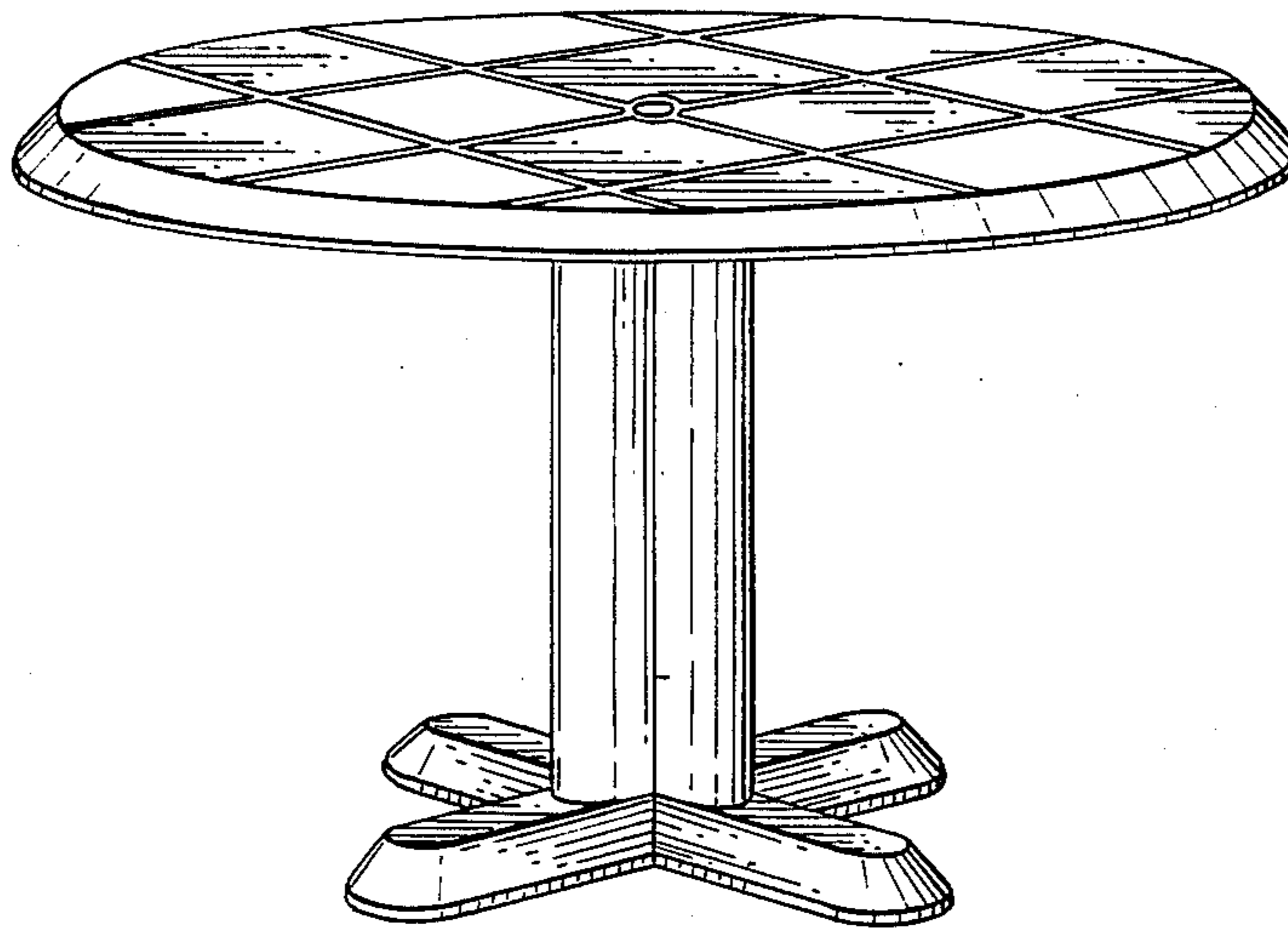


FIG. 2

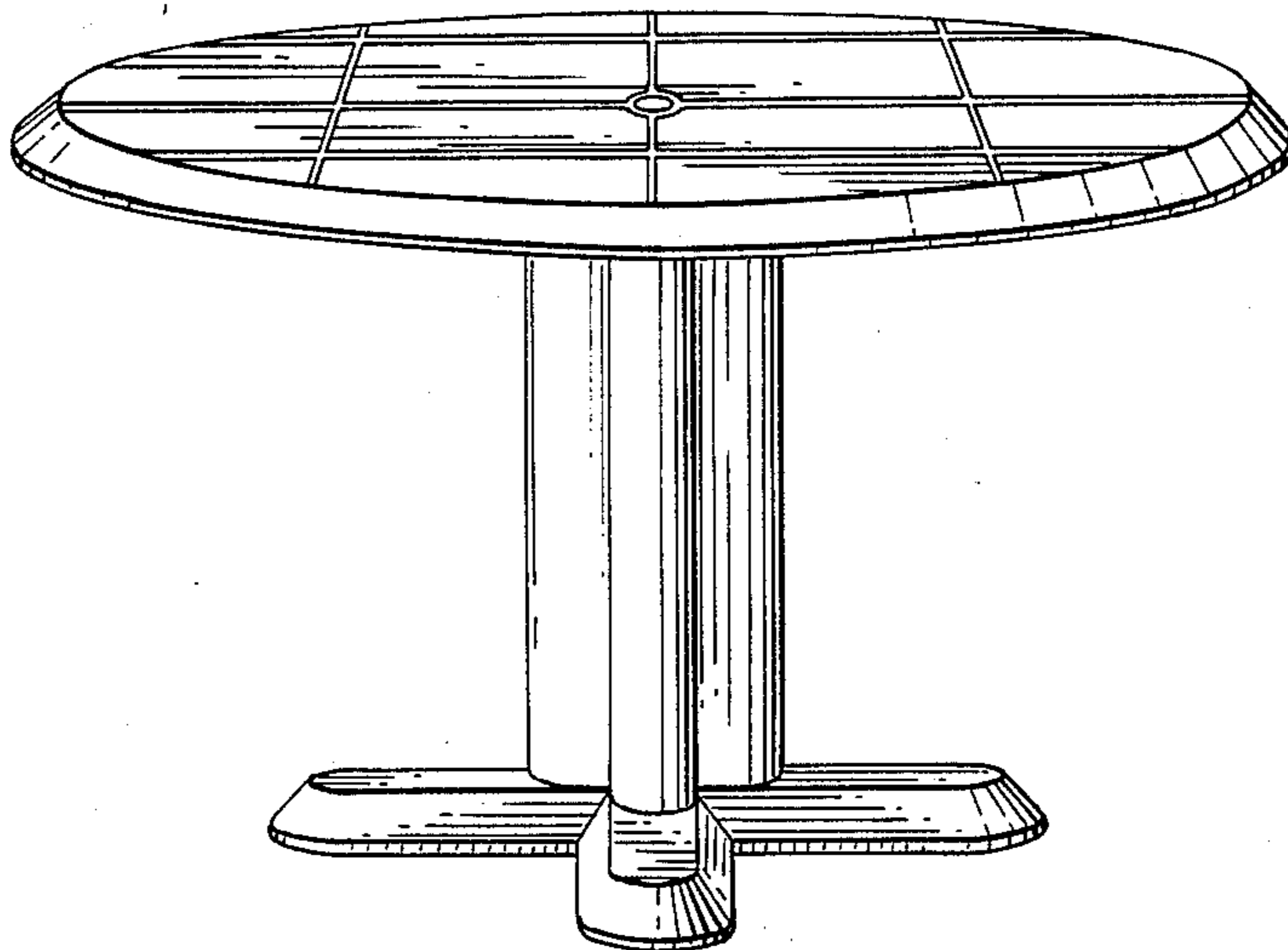


FIG. 3

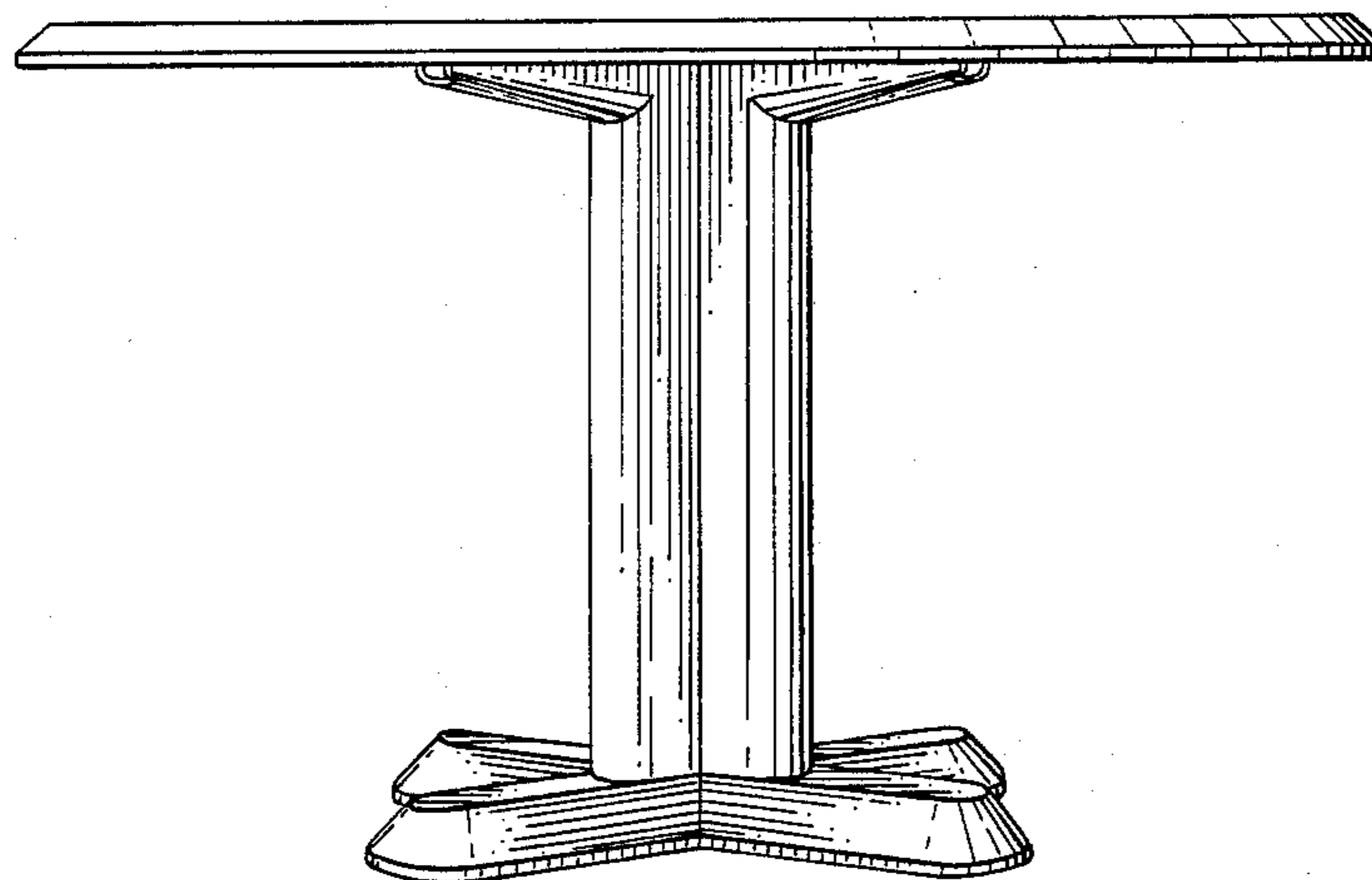


FIG. 4

