

[54] **WHEELED MULTI-COMPARTMENT RECEPTACLE**
[75] Inventors: **Milton E. Handler**, Northbrook; **Richard Sylvan**, Glenview; **Herbert Baisch**, Palatine, all of Ill.

[73] Assignee: **Hirsh Company**, Skokie, Ill.

[**] Term: **14 Years**

[21] Appl. No.: **933,678**

[22] Filed: **Nov. 20, 1986**

[52] U.S. Cl. **D6/436; D6/432; D6/470**

[58] Field of Search **D6/432, 440, 448, 446, D6/432, 436, 470; 312/262, 250, 348.1, 330.1; 5/2 R, 308; D3/76**

[56] **References Cited**

U.S. PATENT DOCUMENTS

- D. 256,480 8/1980 Wright D6/440 X
- D. 263,100 2/1982 Thompson D6/448 X
- D. 267,463 1/1983 Thompson D6/448 X
- D. 279,623 7/1985 Blomquist et al. D3/76 X
- D. 291,037 7/1987 Handler et al. D6/432

936,969	10/1909	Williams	5/308
1,177,390	3/1916	Daniel	5/308
3,797,906	3/1974	Gutner	312/330.1
4,319,683	3/1982	Correa, III	D3/76 X
4,450,597	5/1984	Hull	5/2 R
4,597,122	7/1986	Handler et al.	
4,811,438	3/1989	Simpson	5/308

Primary Examiner—Bruce W. Dunkins
Assistant Examiner—Jeffery Asch
Attorney, Agent, or Firm—Dressler, Goldsmith, Shore, Sutker & Milnamow, Ltd.

[57] **CLAIM**

The ornamental design for a wheeled multi-compartment receptacle, as shown and described.

DESCRIPTION

FIG. 1 is a perspective view of a wheeled multi-compartment receptacle showing our new design; FIG. 2 is a front elevational view thereof; FIG. 3 is a top plan view thereof, the bottom being plain and unornamented; FIG. 4 is a left side elevational view thereof, the right side elevational view thereof being a mirror image; and FIG. 5 is a rear elevational view thereof.

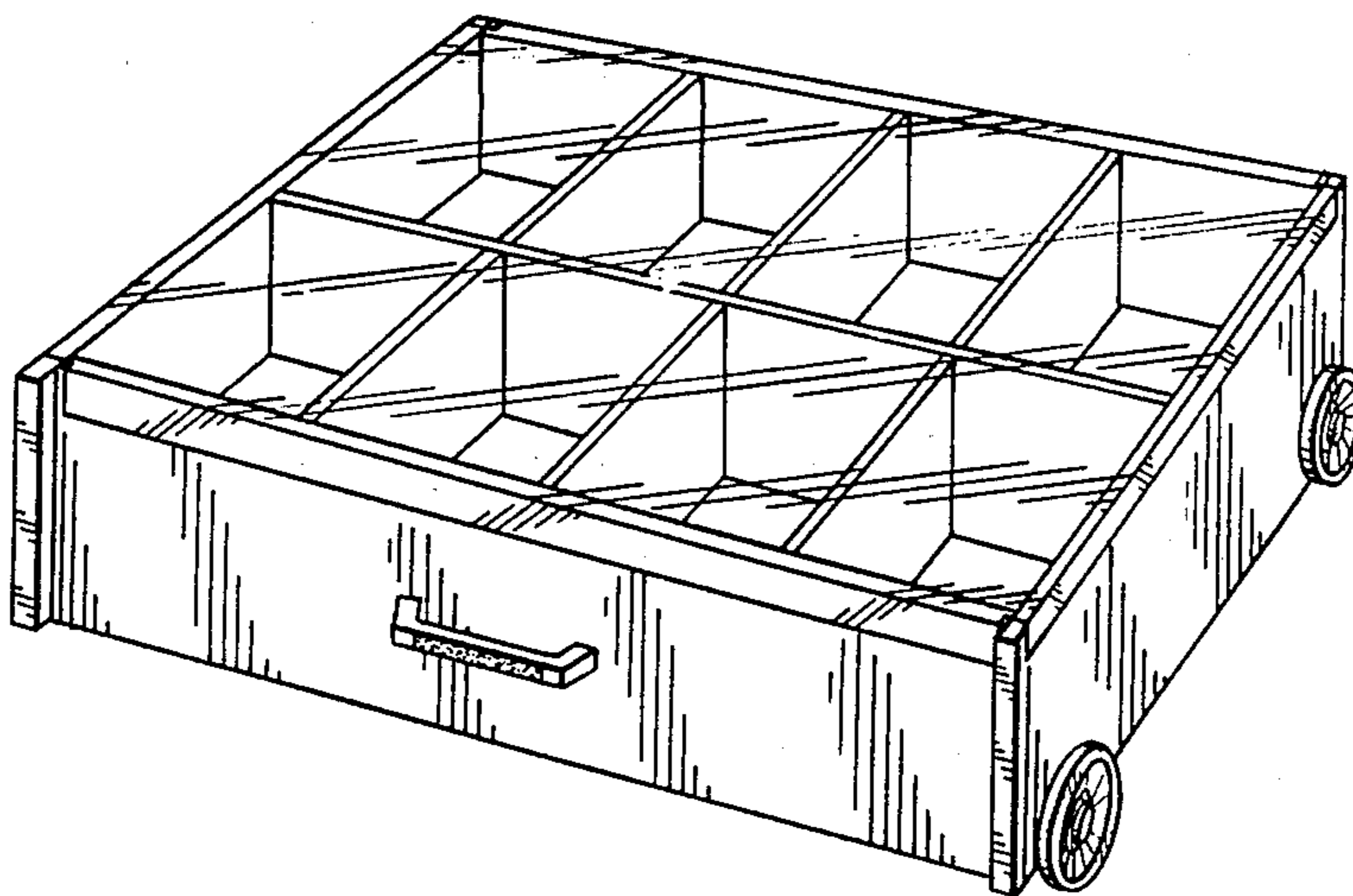


FIG. 1

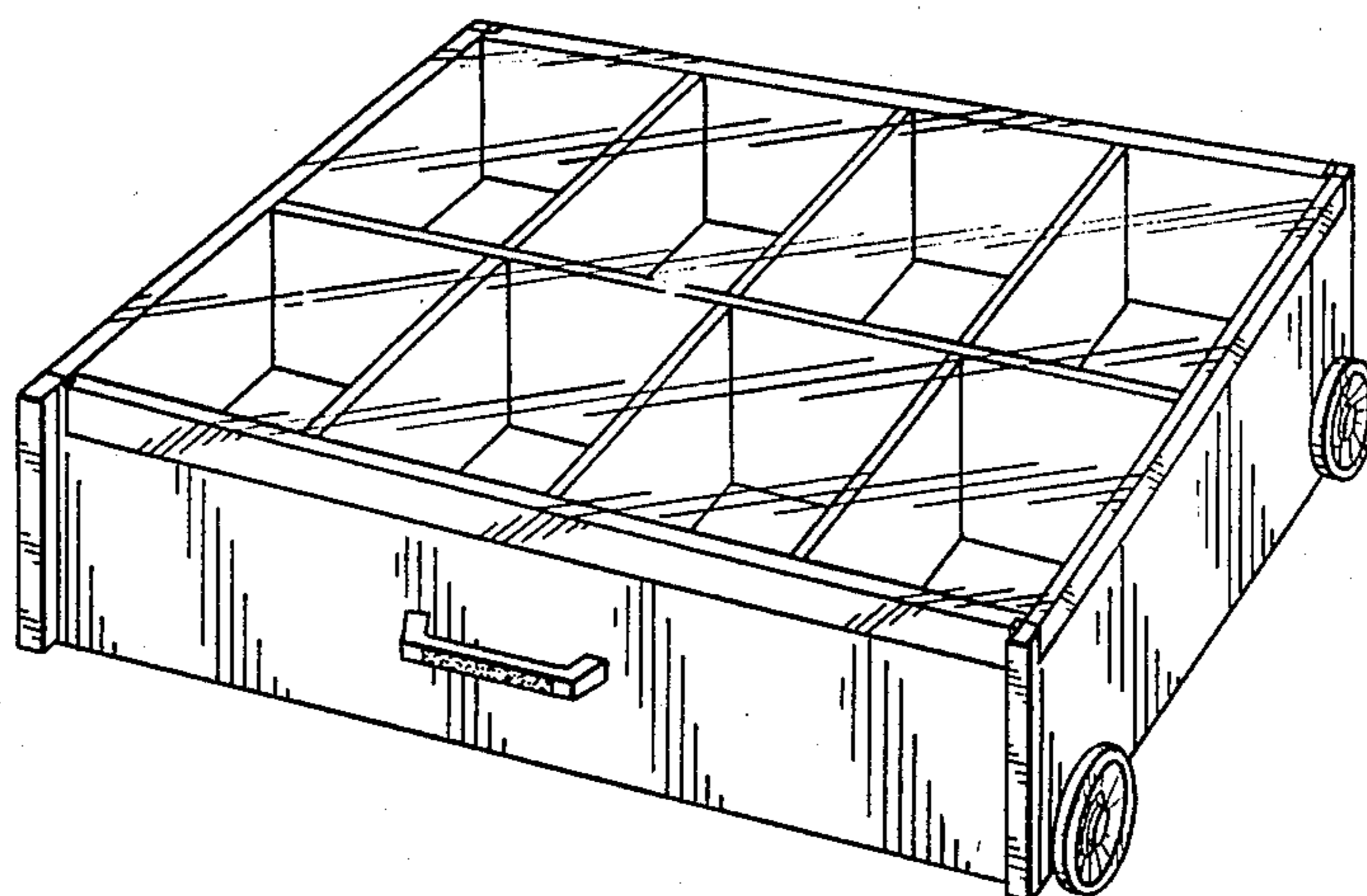


FIG. 2

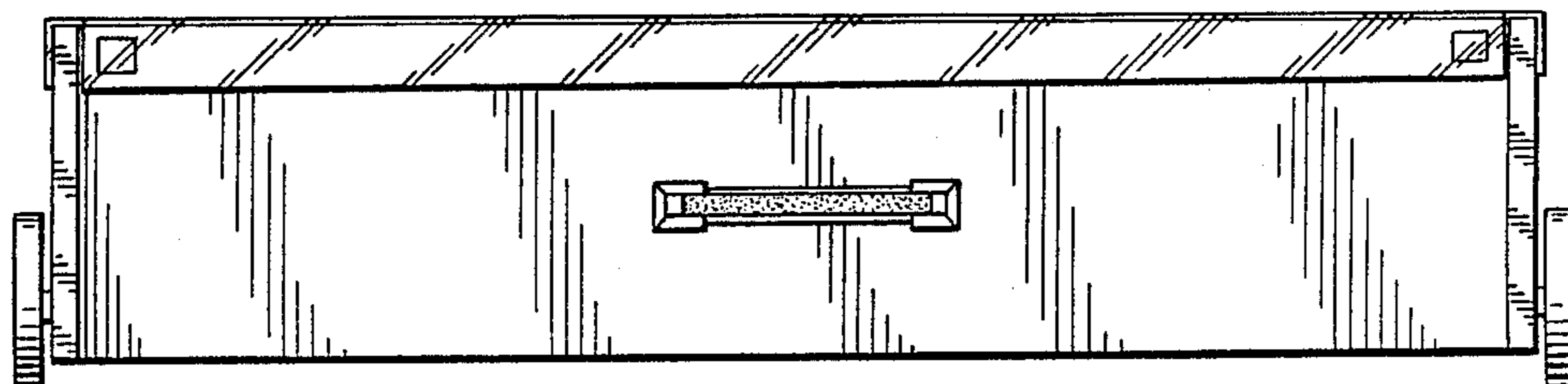


FIG. 3

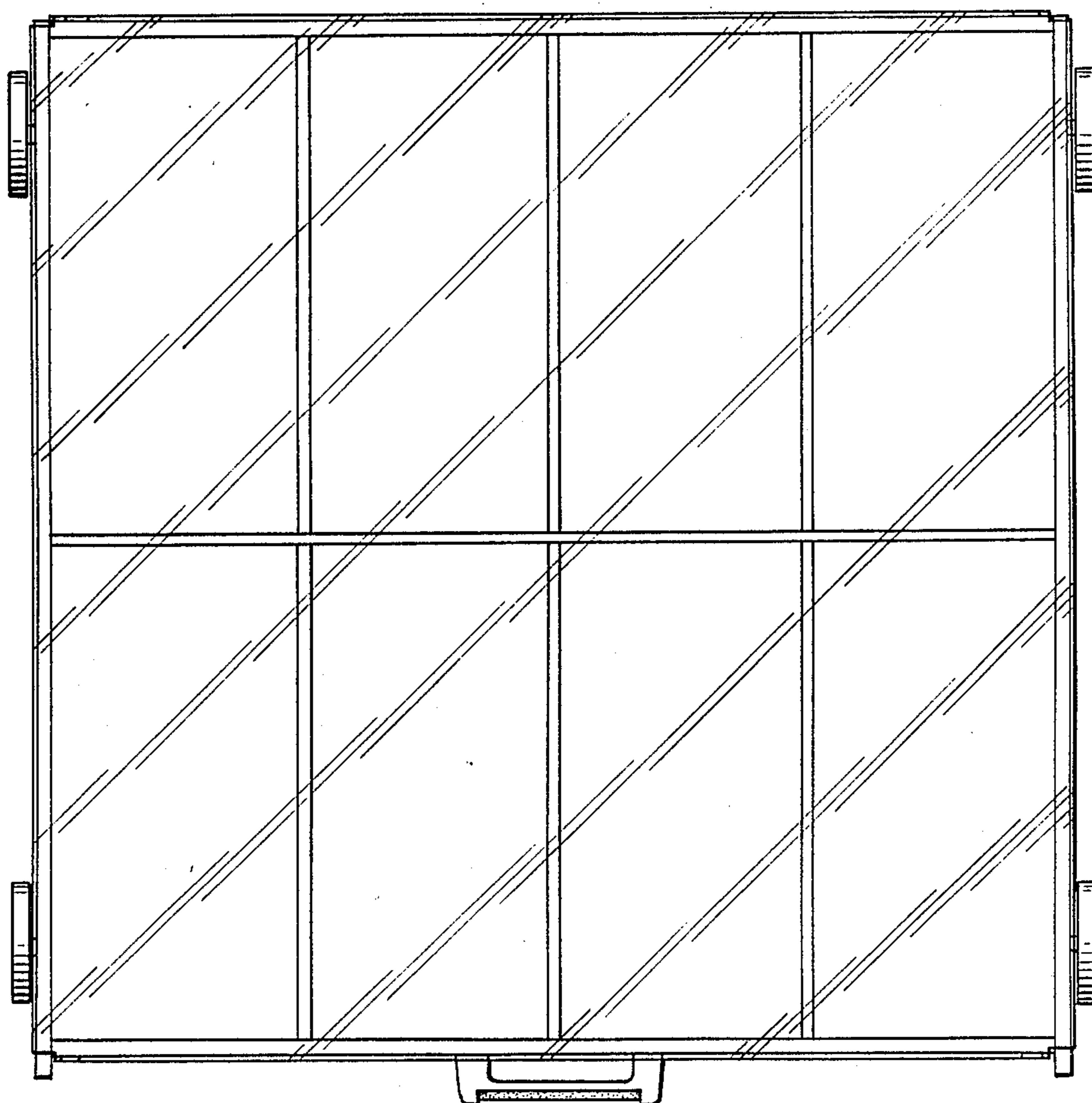


FIG. 4

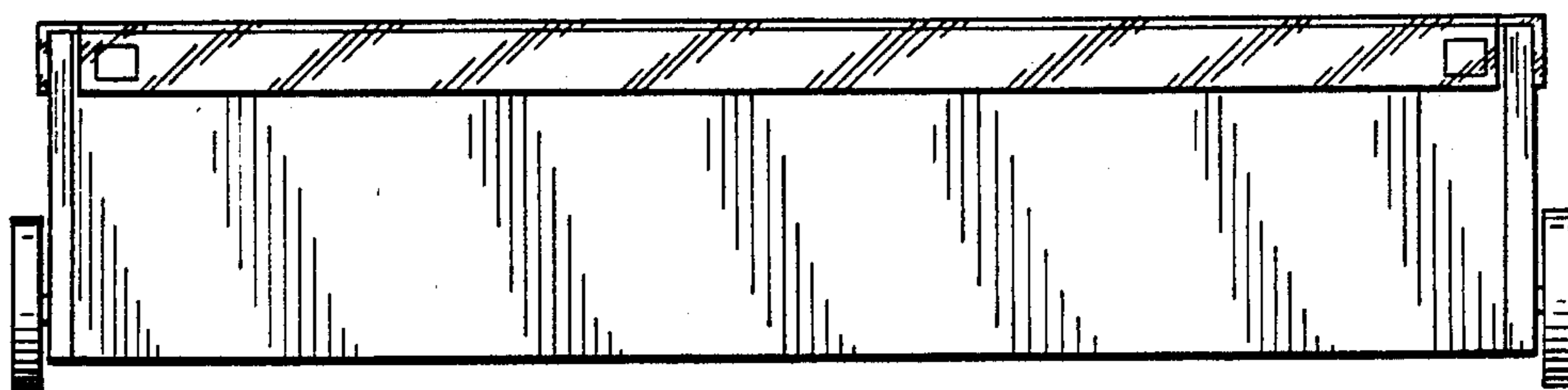
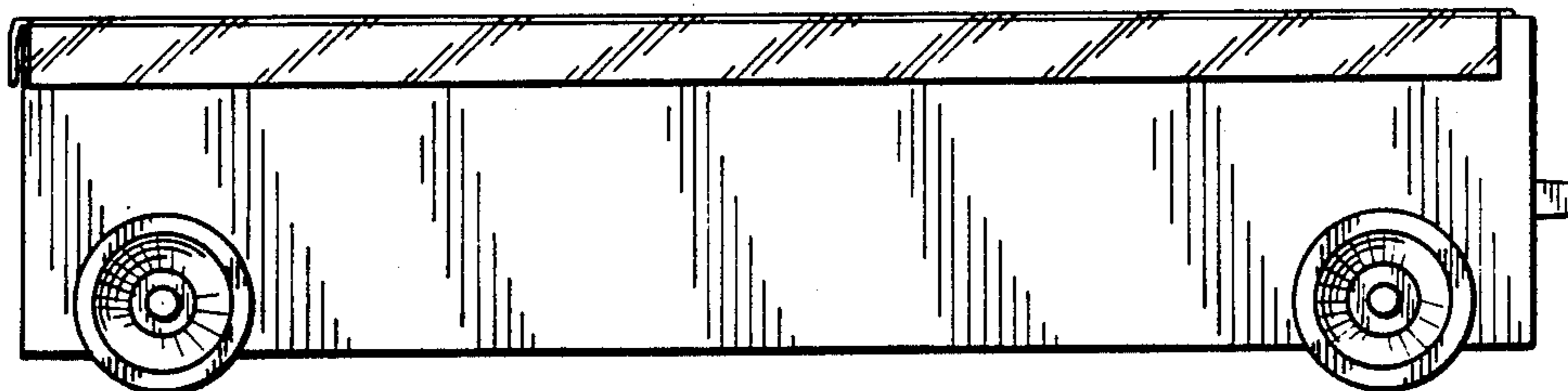


FIG. 5