

- [54] BASKET FRAME
- [75] Inventor: William D. Arnold, St. Louis County, Mo.
- [73] Assignee: Lee-Rowan Company, St. Louis, Mo.
- [\*\*] Term: 14 Years
- [21] Appl. No.: 66,405
- [22] Filed: Jun. 25, 1987
- [52] U.S. Cl. .... D6/411; D6/390; D6/499; 211/126; 34/21
- [58] Field of Search ..... D6/390, 396, 397, 449, D6/462, 464, 474, 487, 465, 499, 509, 552, 511, 411; D34/462, 465; 211/126, 133, 194

893,786	7/1908	Collis et al. ....	211/126
994,984	6/1911	Dennis .....	211/126
1,039,826	10/1912	Schwartzburg .....	211/126 X

*Primary Examiner*—Bruce W. Dunkins  
*Assistant Examiner*—Janice Seeger  
*Attorney, Agent, or Firm*—Rogers, Howell & Haferkamp

[57] CLAIM

The ornamental design for a basket frame, as shown and described.

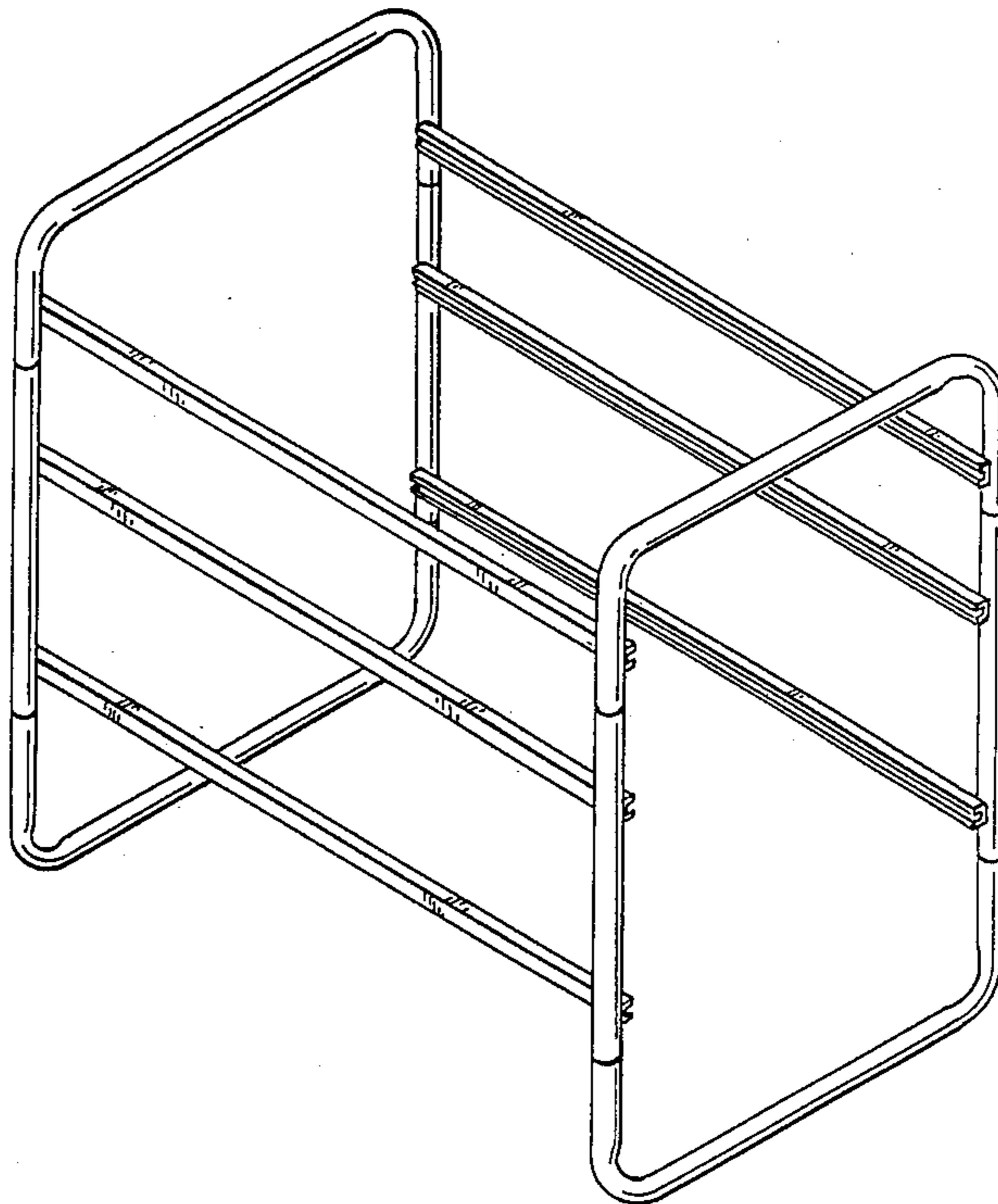
DESCRIPTION

FIG. 1 is a top perspective view of the basket frame showing my new design;  
 FIG. 2 is a side elevational view the opposite side being identical thereto;  
 FIG. 3 is a top plan view thereof; and  
 FIG. 4 is an end elevational view, the opposite end view being identical thereto.  
 The broken lines showing storage baskets are for illustrative purposes only and form no part of the claimed design.

[56] References Cited

U.S. PATENT DOCUMENTS

D. 130,632	12/1941	Millberg .....	D6/411
D. 142,059	8/1945	Botsford et al. ....	D6/411
D. 163,094	5/1951	Connor .....	D34/17
D. 300,488	4/1989	Yoshikawa .....	D6/465



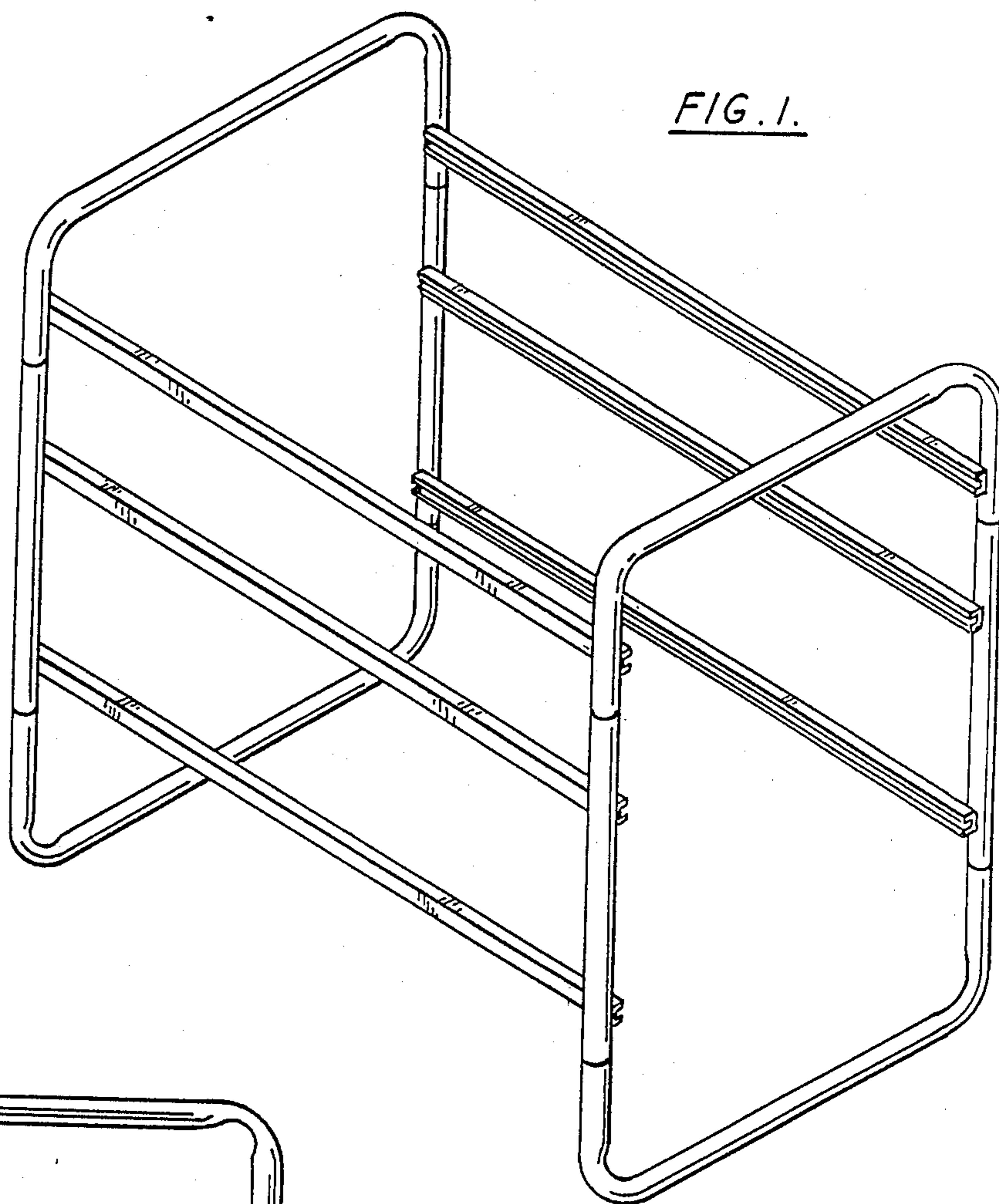


FIG. 1.

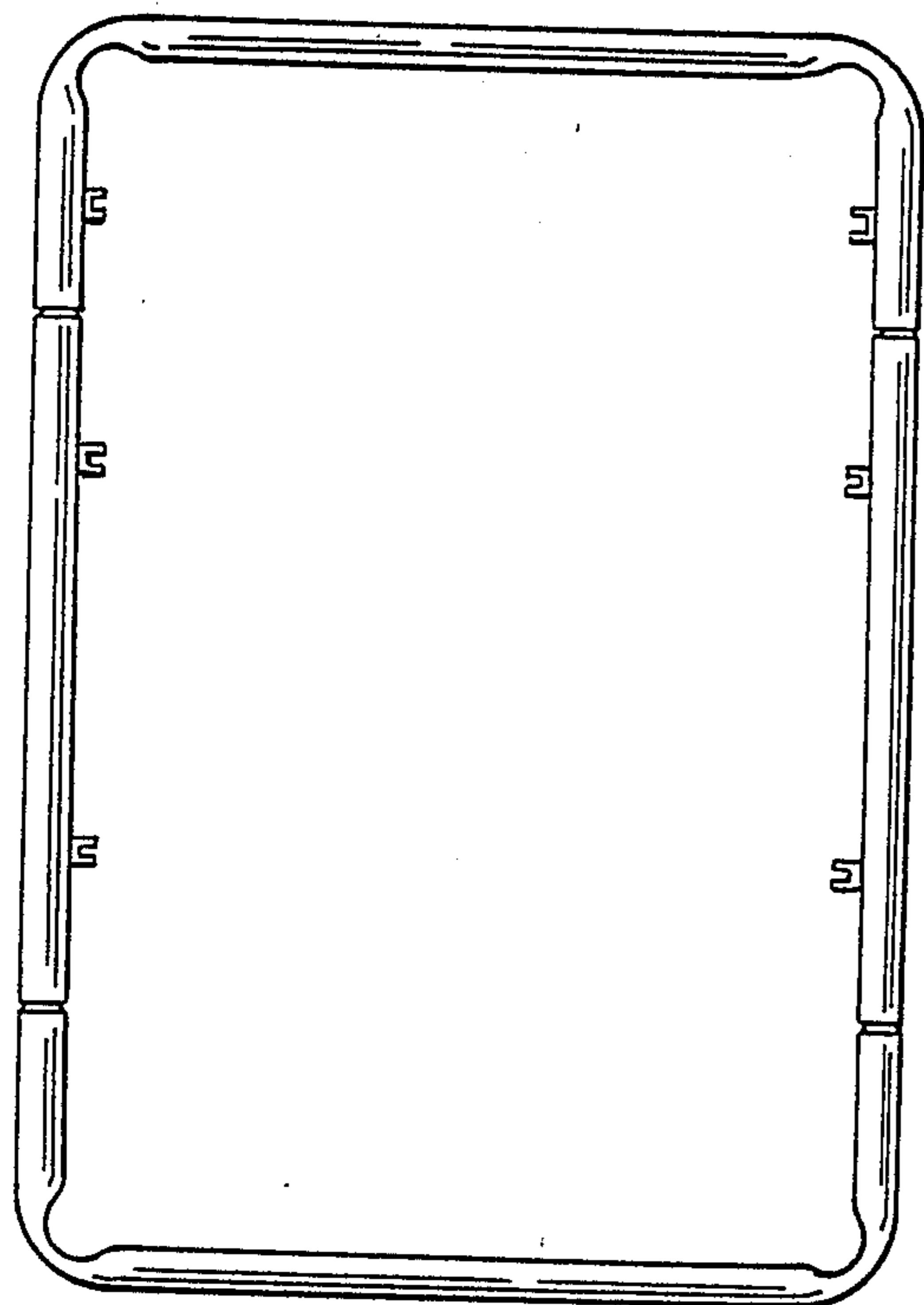


FIG. 4.

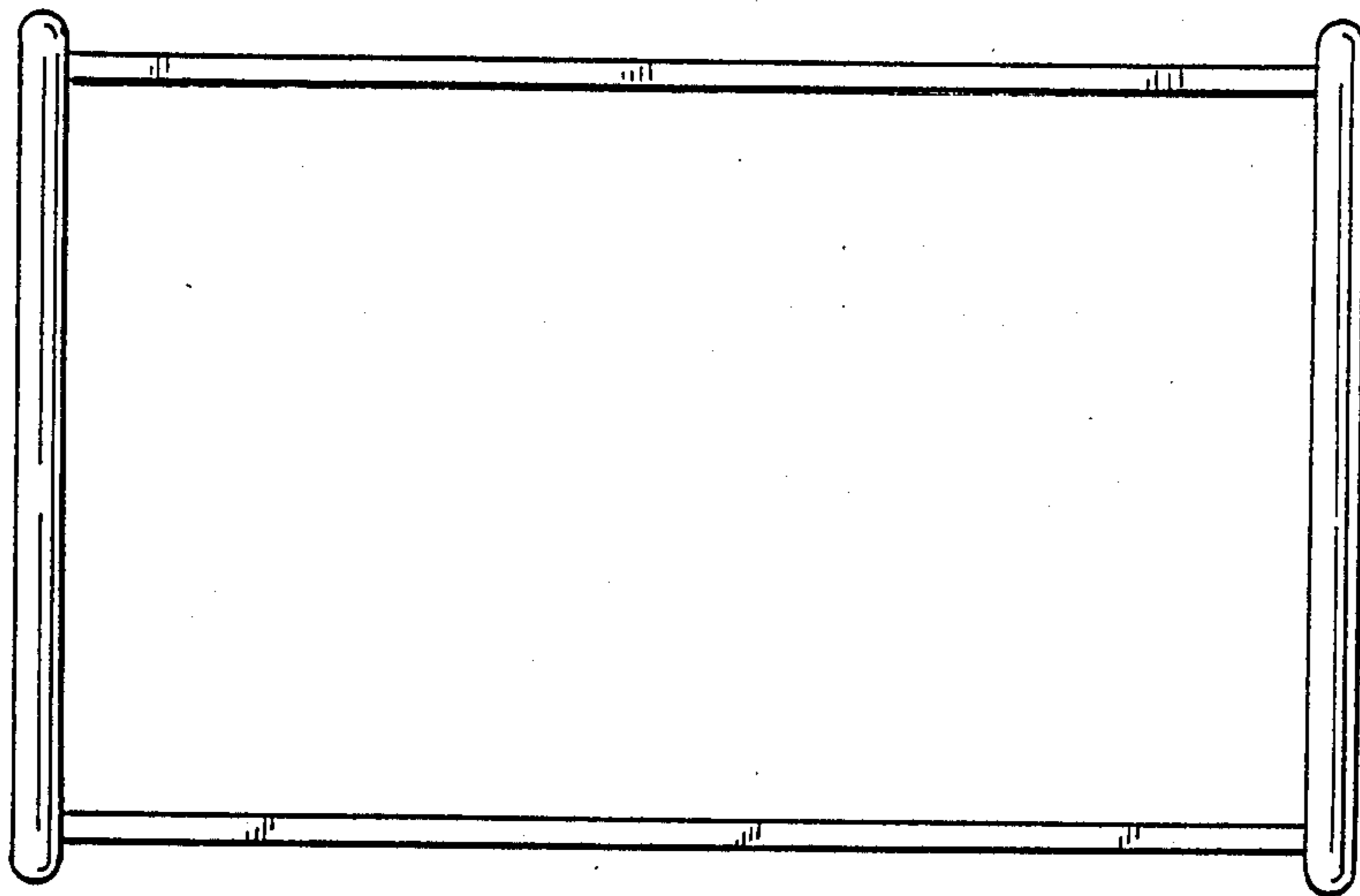


FIG. 3.

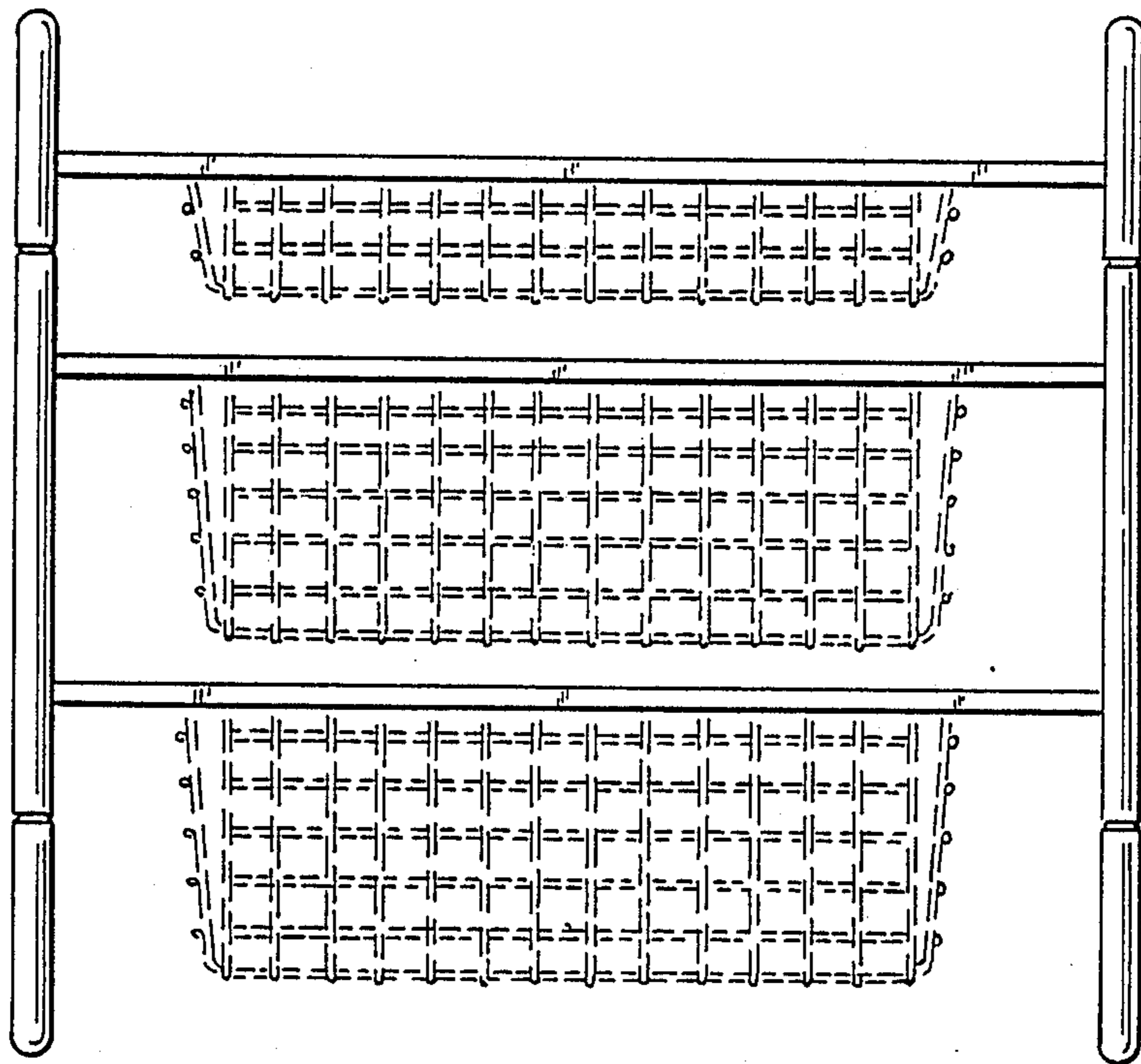


FIG. 2.