

[54] **CHAIR**

[75] **Inventor: Henk Verkerke, Amstelveen, Netherlands**

[73] **Assignee: Cirkel B.V., Zwanenburg, Netherlands**

[\*\*] **Term: 14 Years**

[21] **Appl. No.: 38,587**

[22] **Filed: Apr. 14, 1987**

[30] **Foreign Application Priority Data**

Oct. 14, 1986 [XB] Benelux ..... 61503-02  
[52] **U.S. Cl. .... D6/334**  
[58] **Field of Search ..... D6/334, 374, 380**

[56] **References Cited**

**U.S. PATENT DOCUMENTS**

D. 155,272 9/1949 Eames ..... D6/374

D. 181,032 9/1957 Winer ..... D6/380  
D. 182,426 4/1958 McCarthy ..... D6/380  
D. 292,149 10/1987 Monesi ..... D6/380  
D. 299,890 2/1989 Wood ..... D6/380

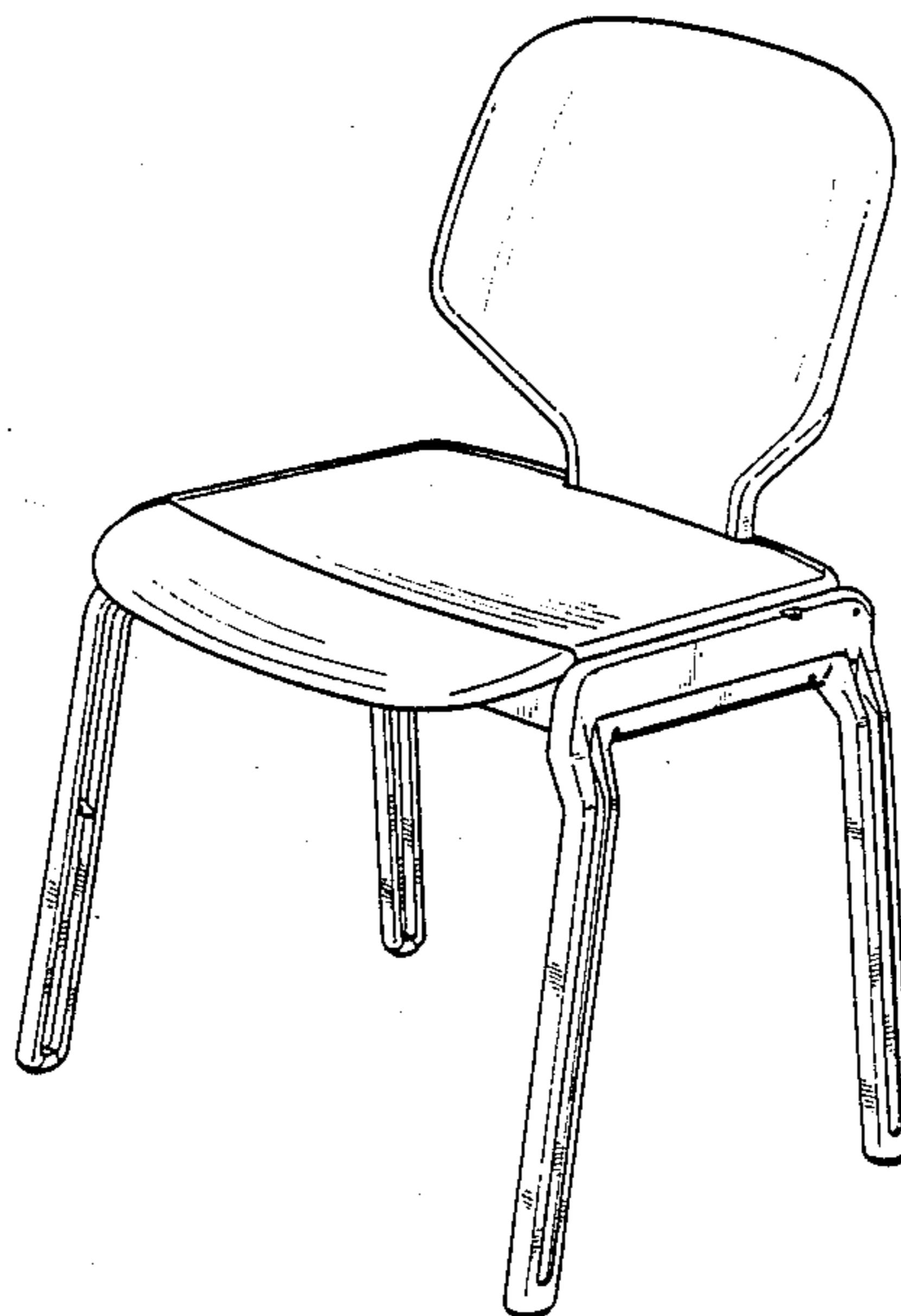
*Primary Examiner*—Bruce W. Dunkins  
*Assistant Examiner*—Ann Hunt  
*Attorney, Agent, or Firm*—Foley & Lardner, Schwartz, Jeffery, Schwaab, Mack, Blumenthal & Evans

[57] **CLAIM**

The ornamental design of a chair, as shown.

**DESCRIPTION**

FIG. 1 is a perspective view of a chair showing my new design;  
FIG. 2 is a front elevational view thereof;  
FIG. 3 is a rear elevational view thereof;  
FIG. 4 is a top plan view thereof;  
FIG. 5 is a bottom plan view thereof;  
FIG. 6 is a left side elevational view thereof; and  
FIG. 7 is a right side elevational view thereof.



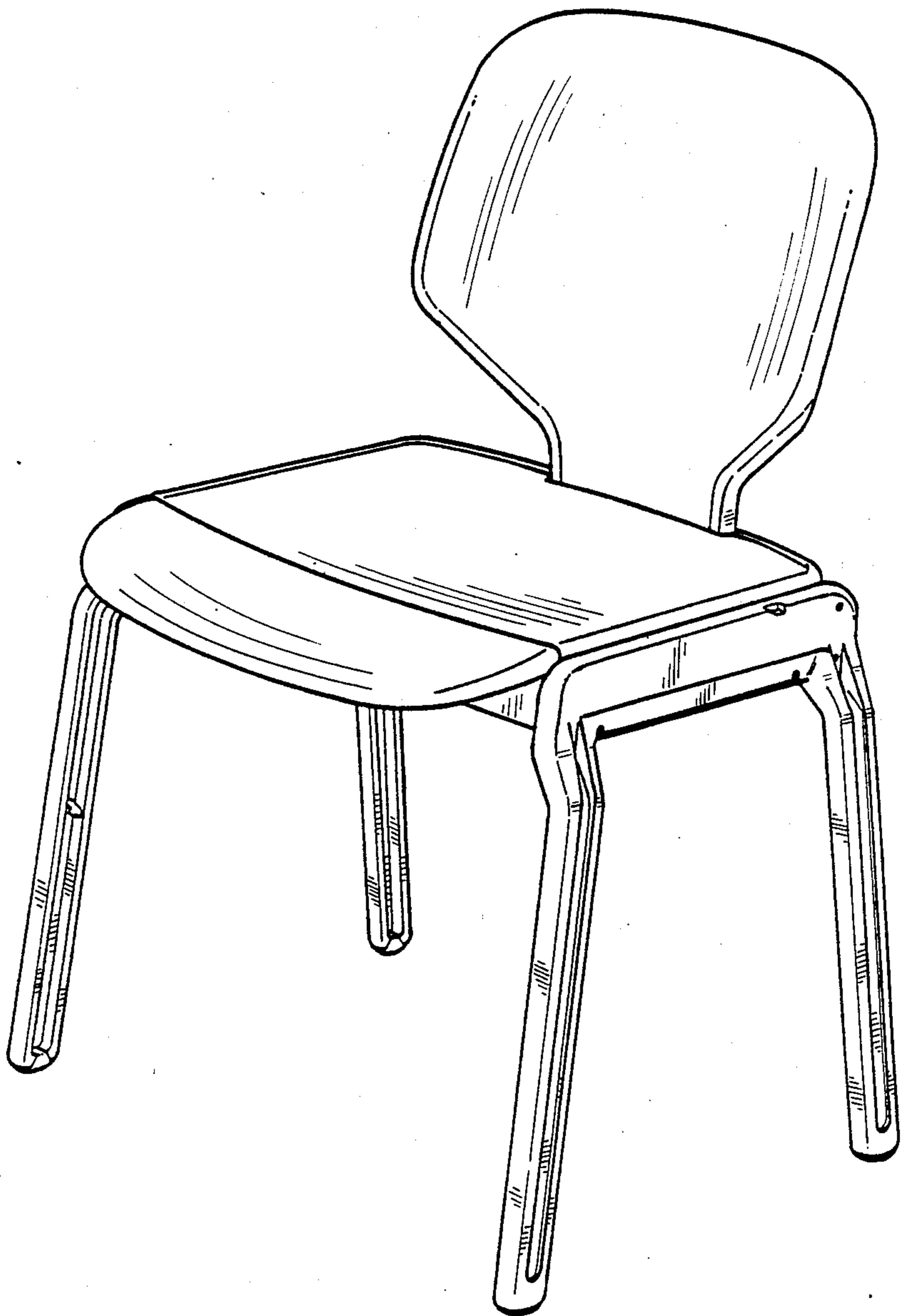


FIG. 1

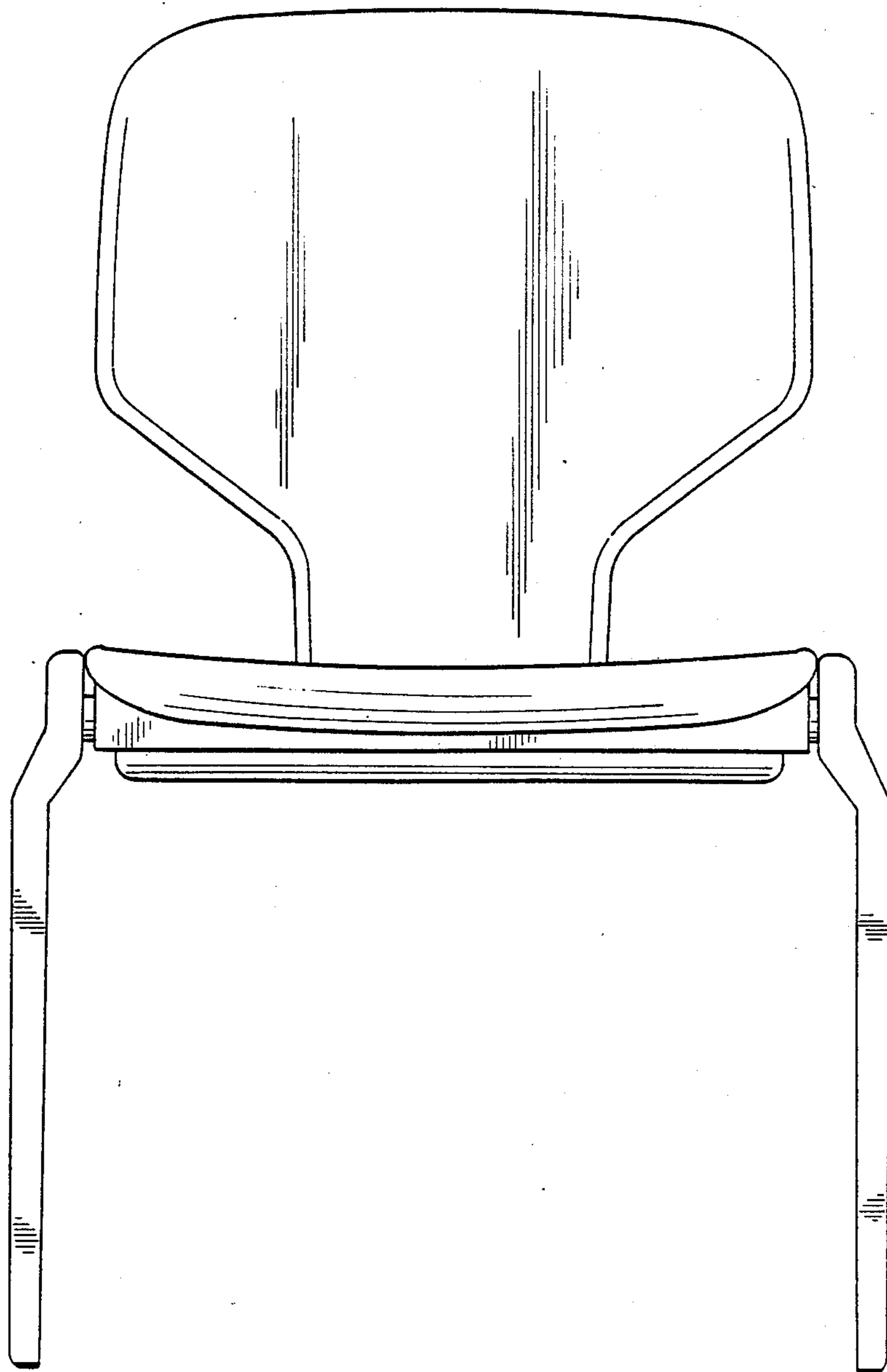


FIG. 2

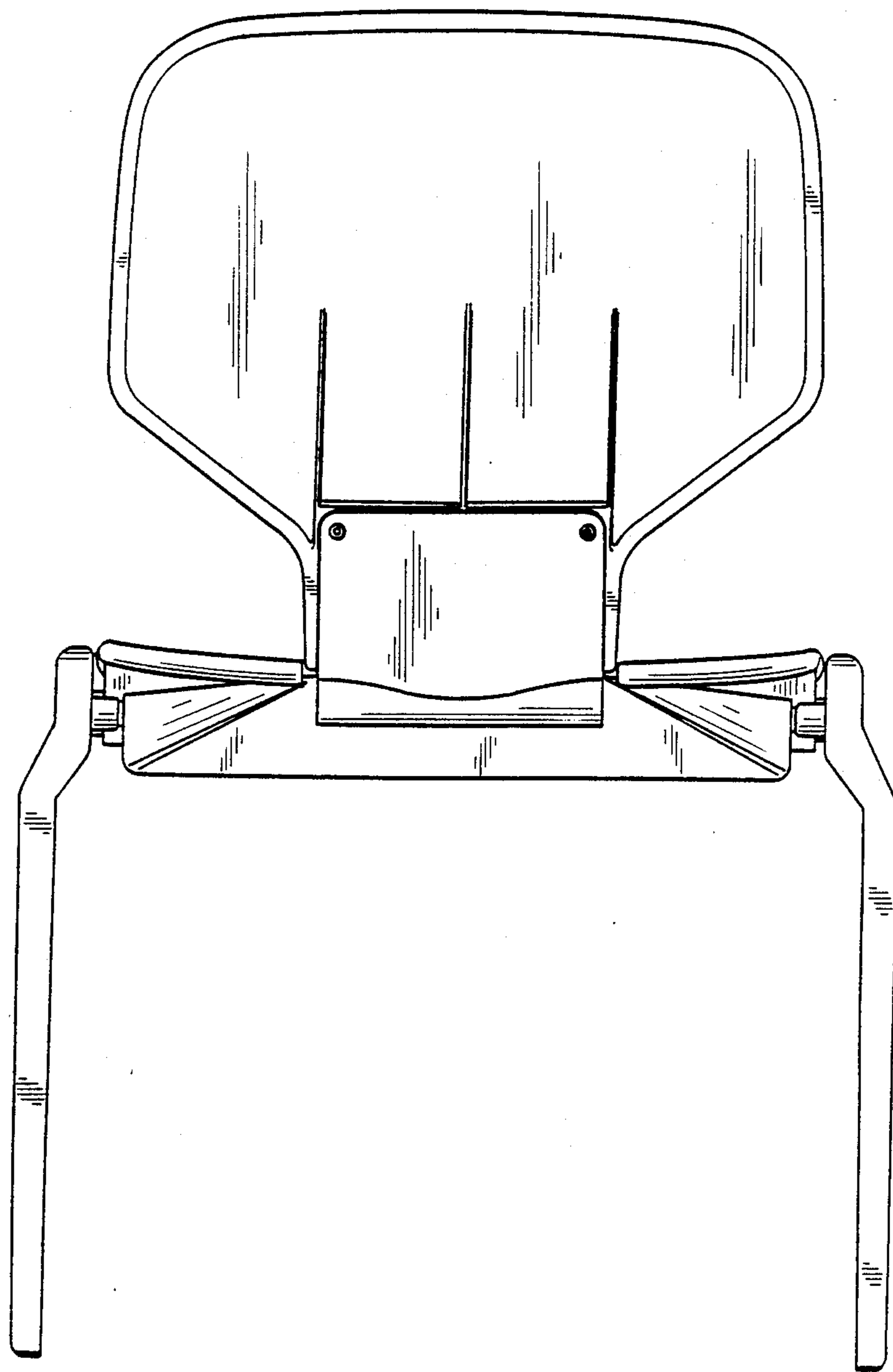


FIG. 3

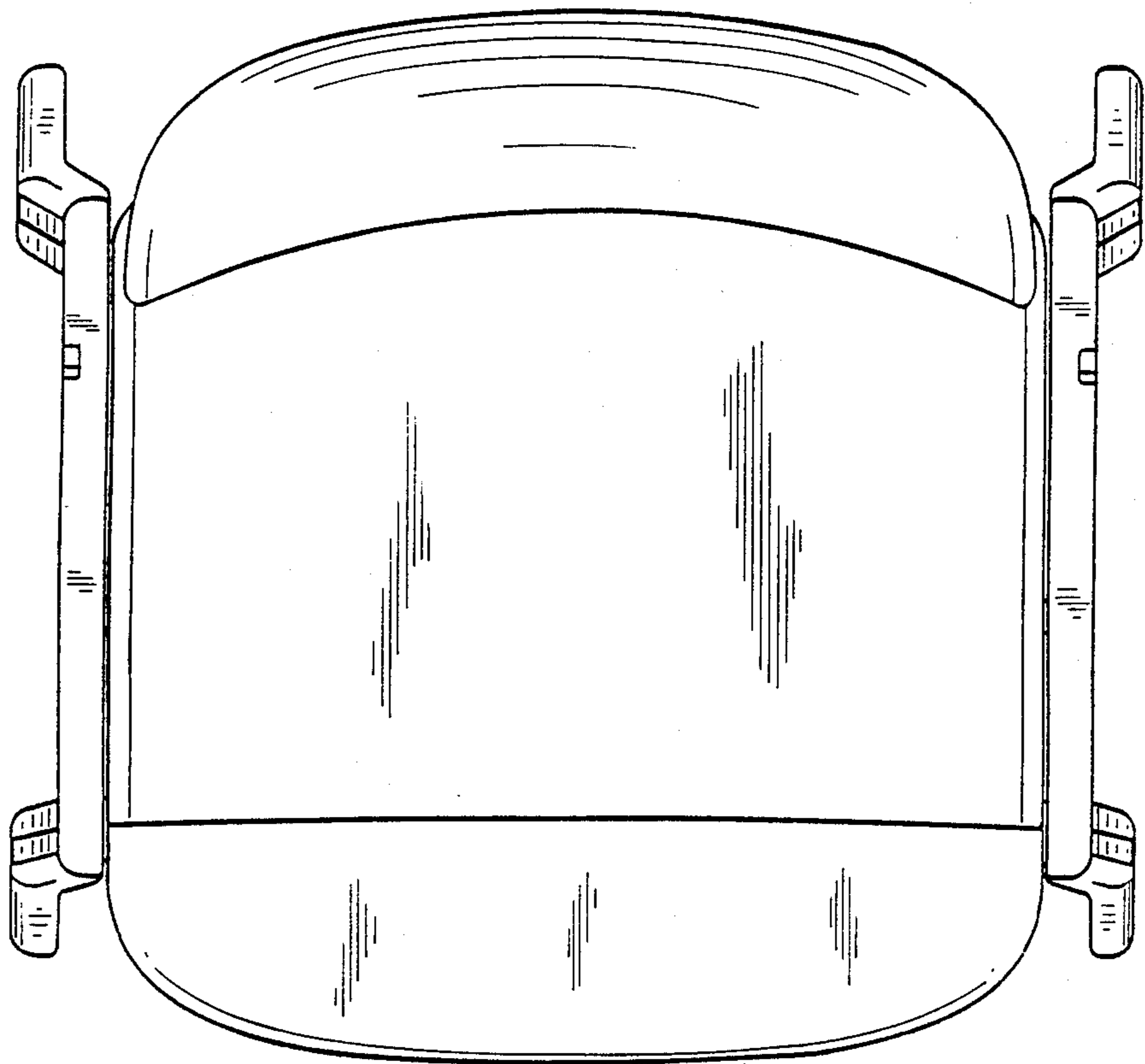


FIG.4

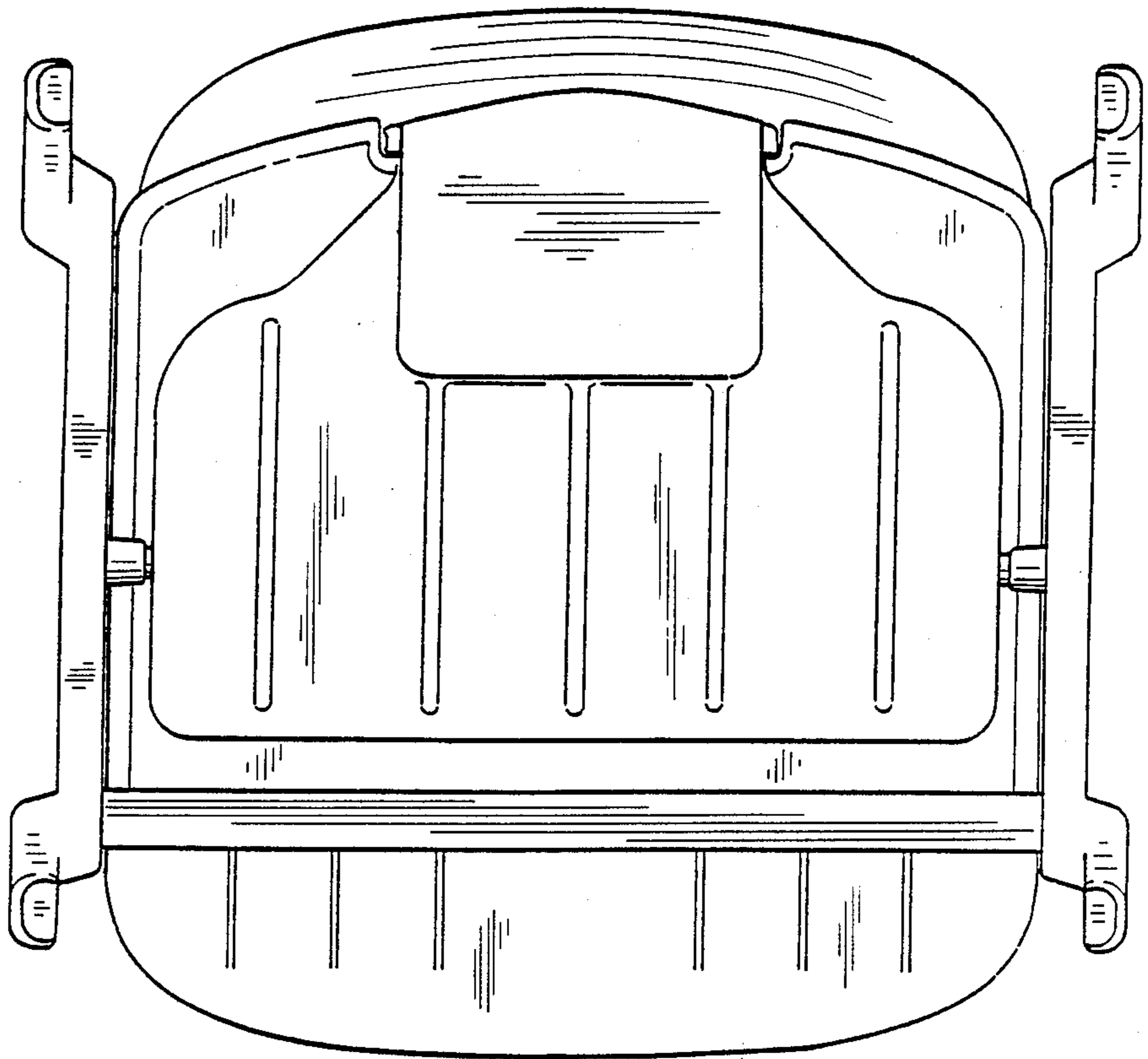


FIG. 5

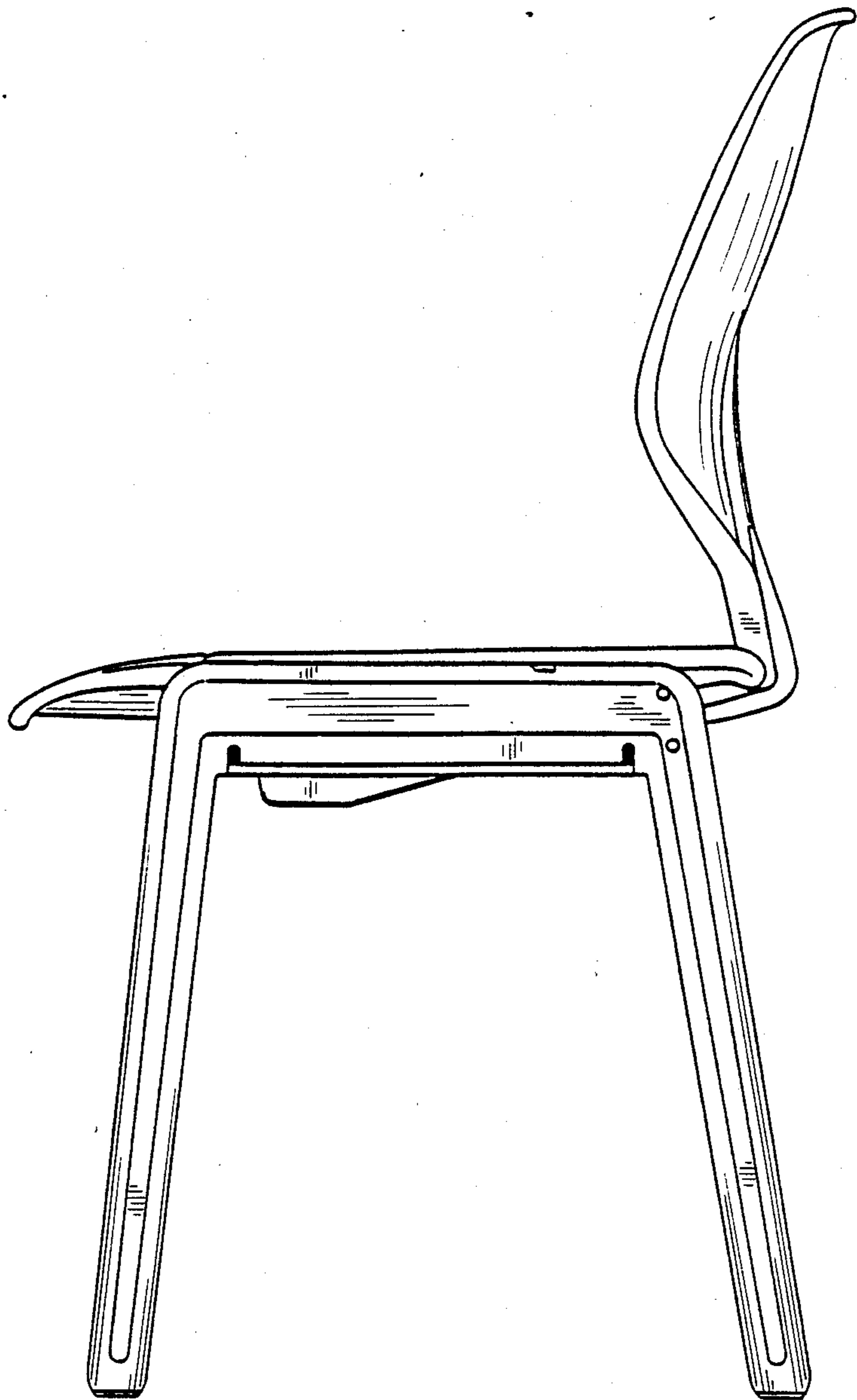


FIG. 6

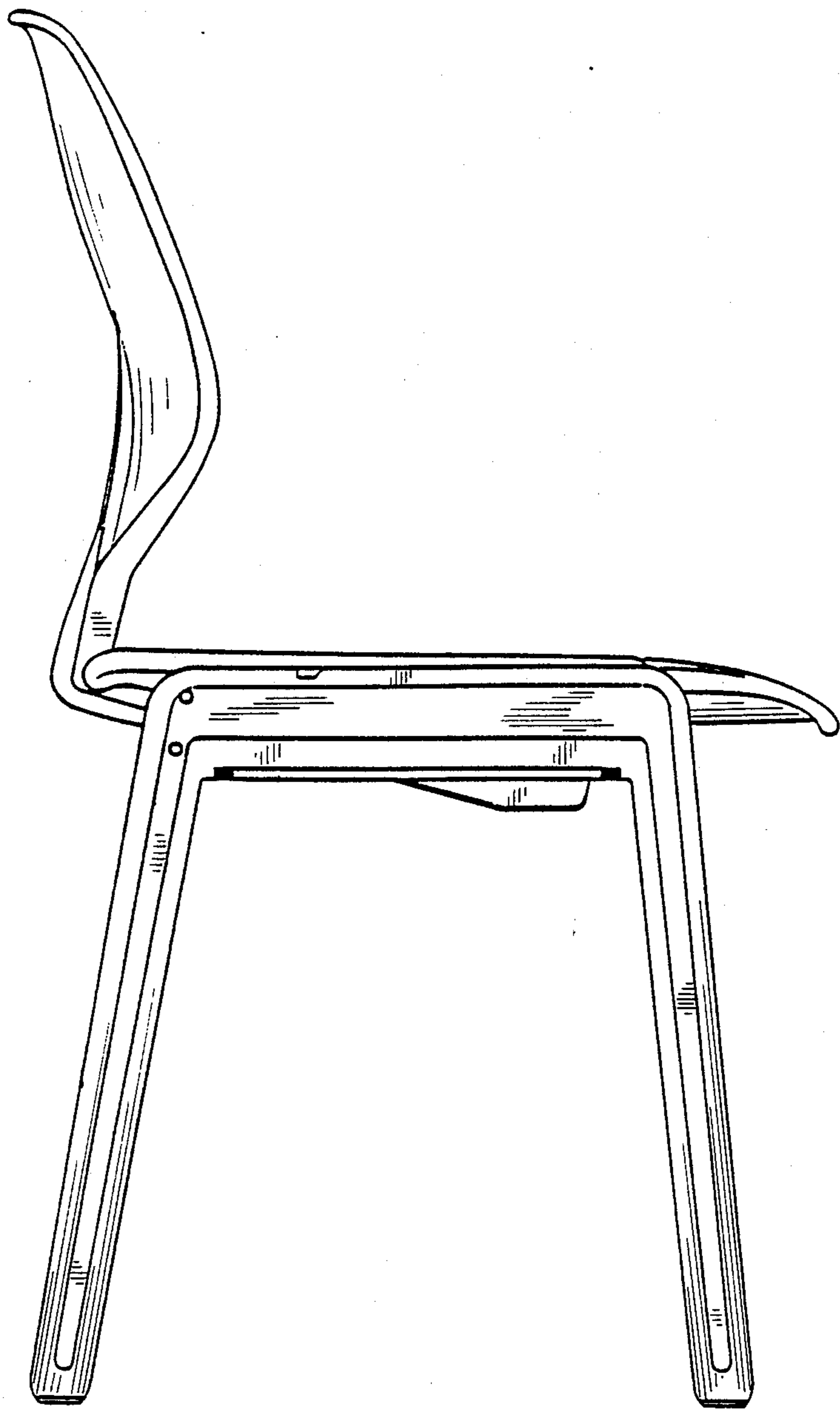


FIG. 7