

[54] SOFT LUGGAGE

[76] Inventor: Janet St. Pierre, 23312 Via Dorado, Cota de Caza, Calif. 92679

[**] Term: 14 Years

[21] Appl. No.: 943,159

[22] Filed: Dec. 18, 1986

[52] U.S. Cl. D3/71; 206/579

[58] Field of Search D3/36, 71; 206/314, 206/335, 579

[56] References Cited

U.S. PATENT DOCUMENTS

- D. 193,967 10/1962 Schaefer D3/71 X
- D. 204,439 4/1966 Pelavin et al. D3/71 X

Primary Examiner—James R. Largen

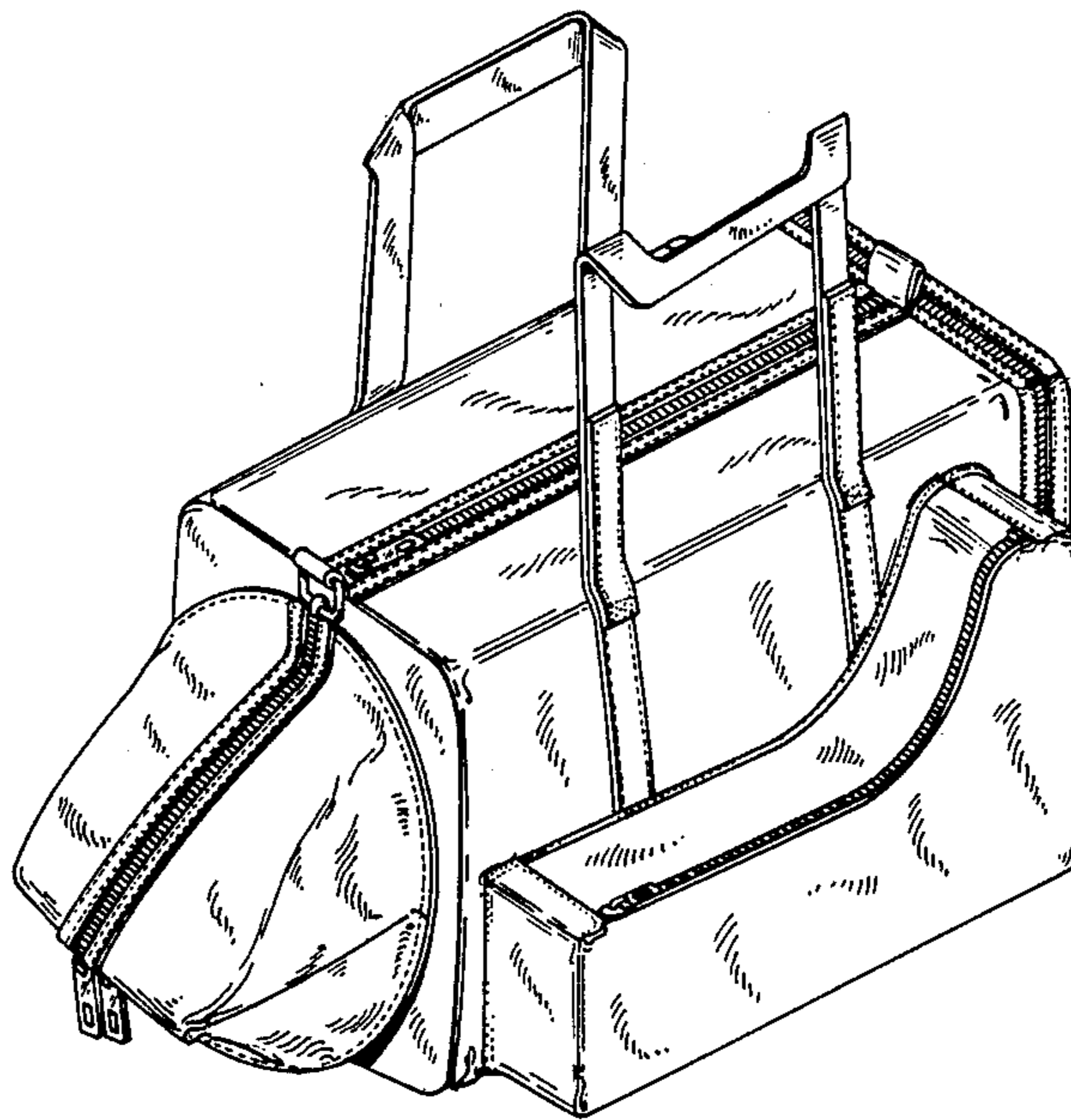
Assistant Examiner—Y. Brunot
Attorney, Agent, or Firm—St. Onge, Steward, Johnston & Reens

[57] CLAIM

The ornamental design for soft luggage, as shown and described.

DESCRIPTION

FIG. 1 is a top, front and right side perspective view of soft luggage showing my new design; FIG. 2 is a left side elevational view; FIG. 3 is a top plan view; FIG. 4 is a right side elevational view; FIG. 5 is a bottom plan view; FIG. 6 is a rear elevational view; and FIG. 7 is a front elevational view.



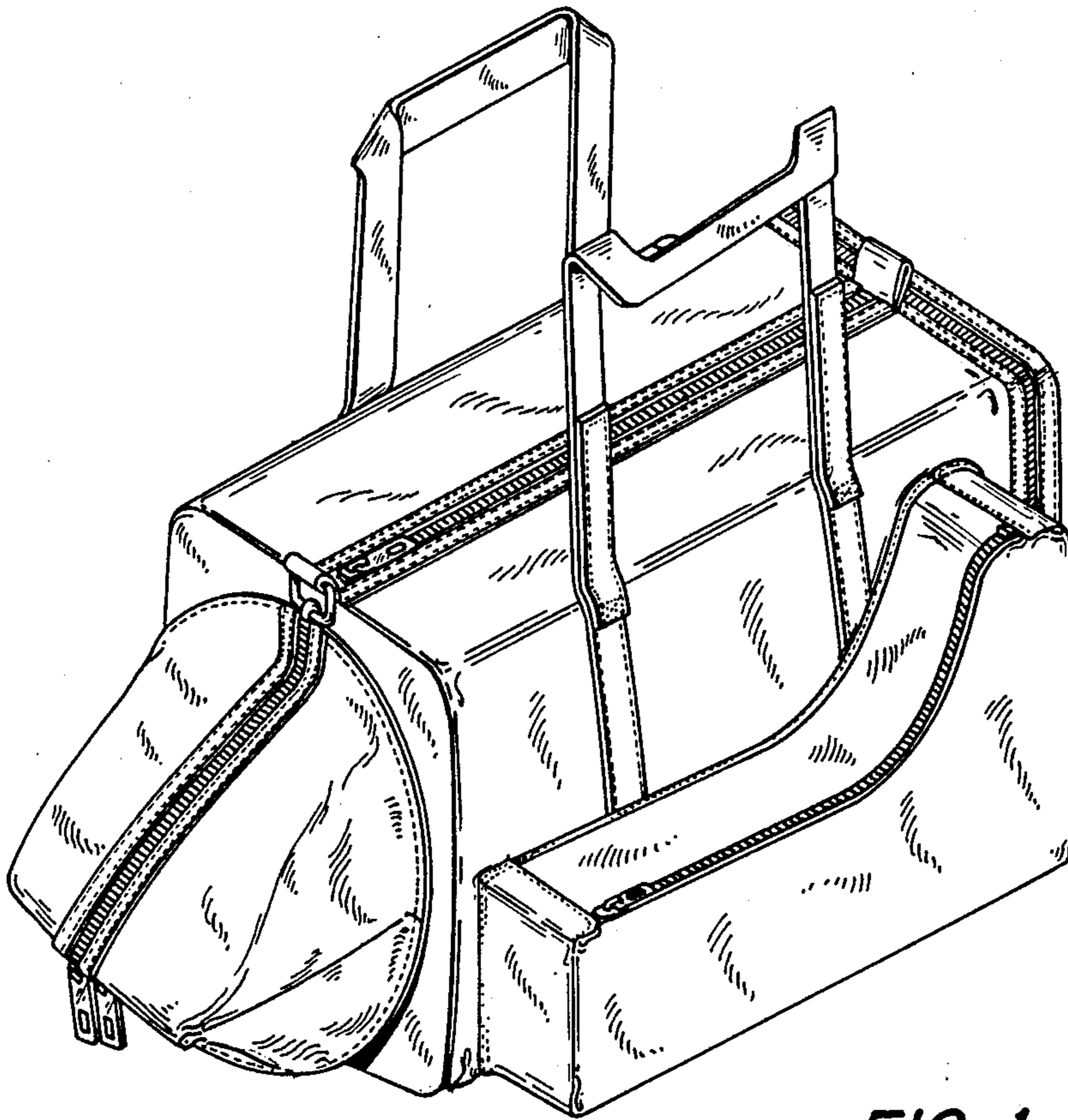


FIG. 1

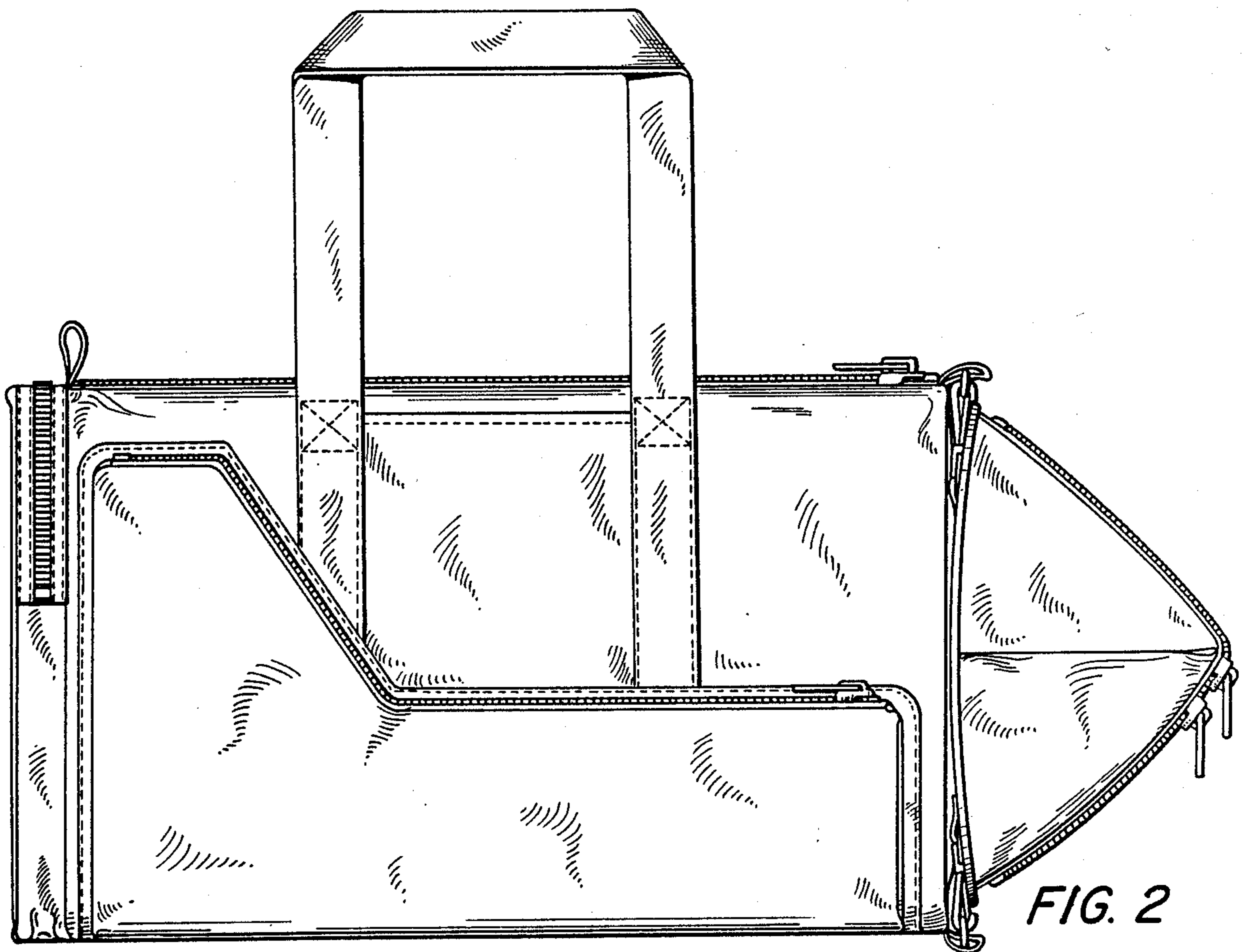


FIG. 2

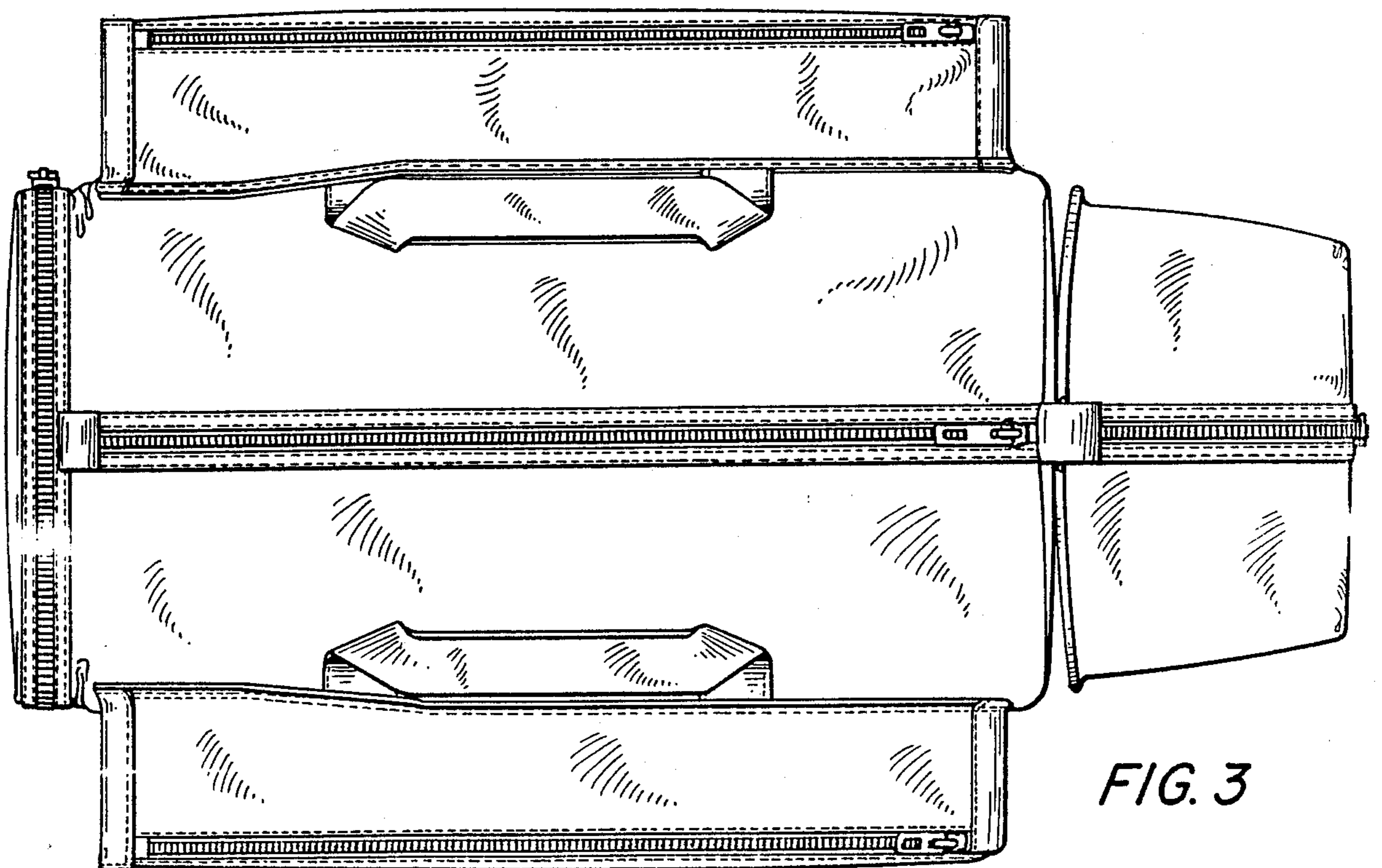


FIG. 3

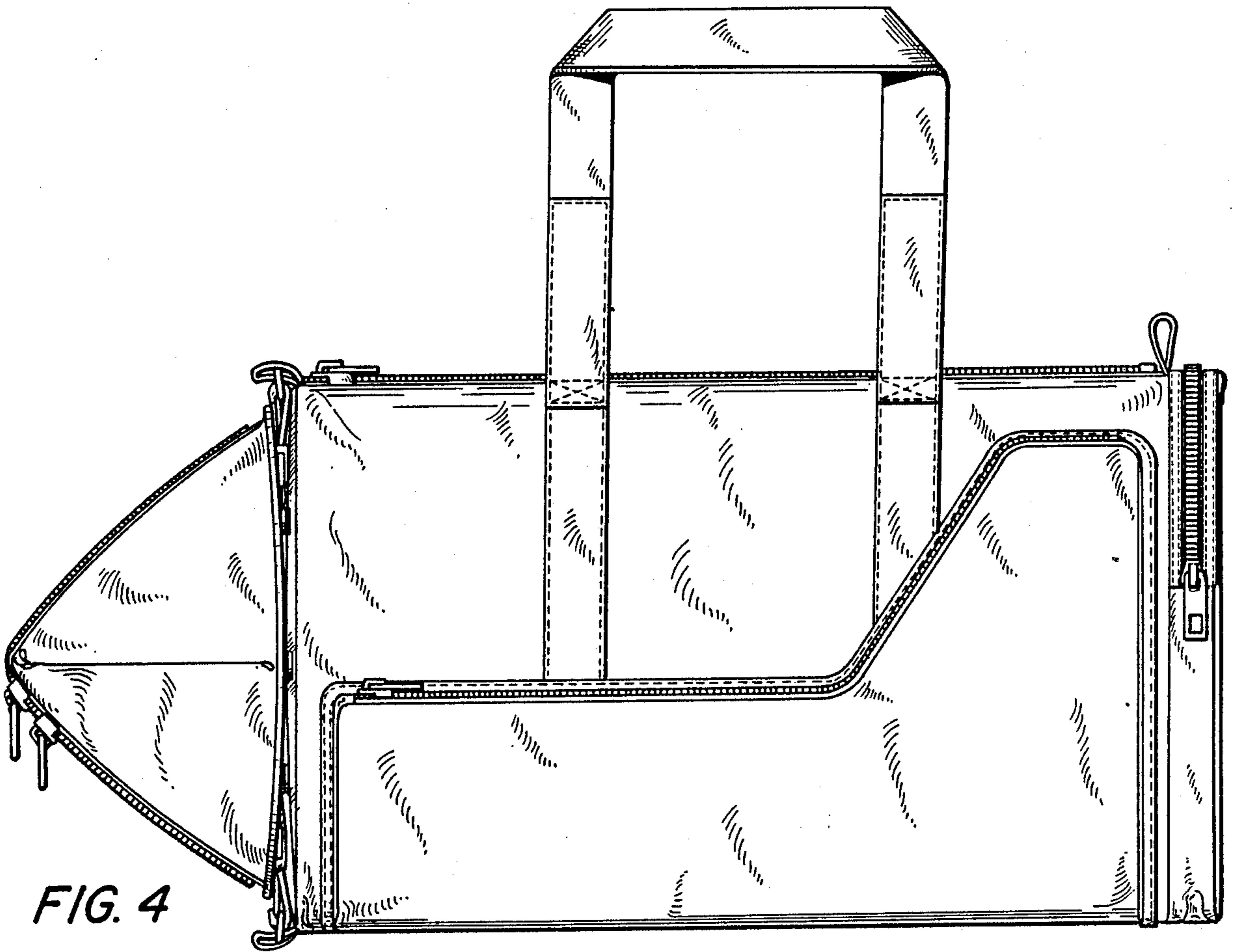


FIG. 4

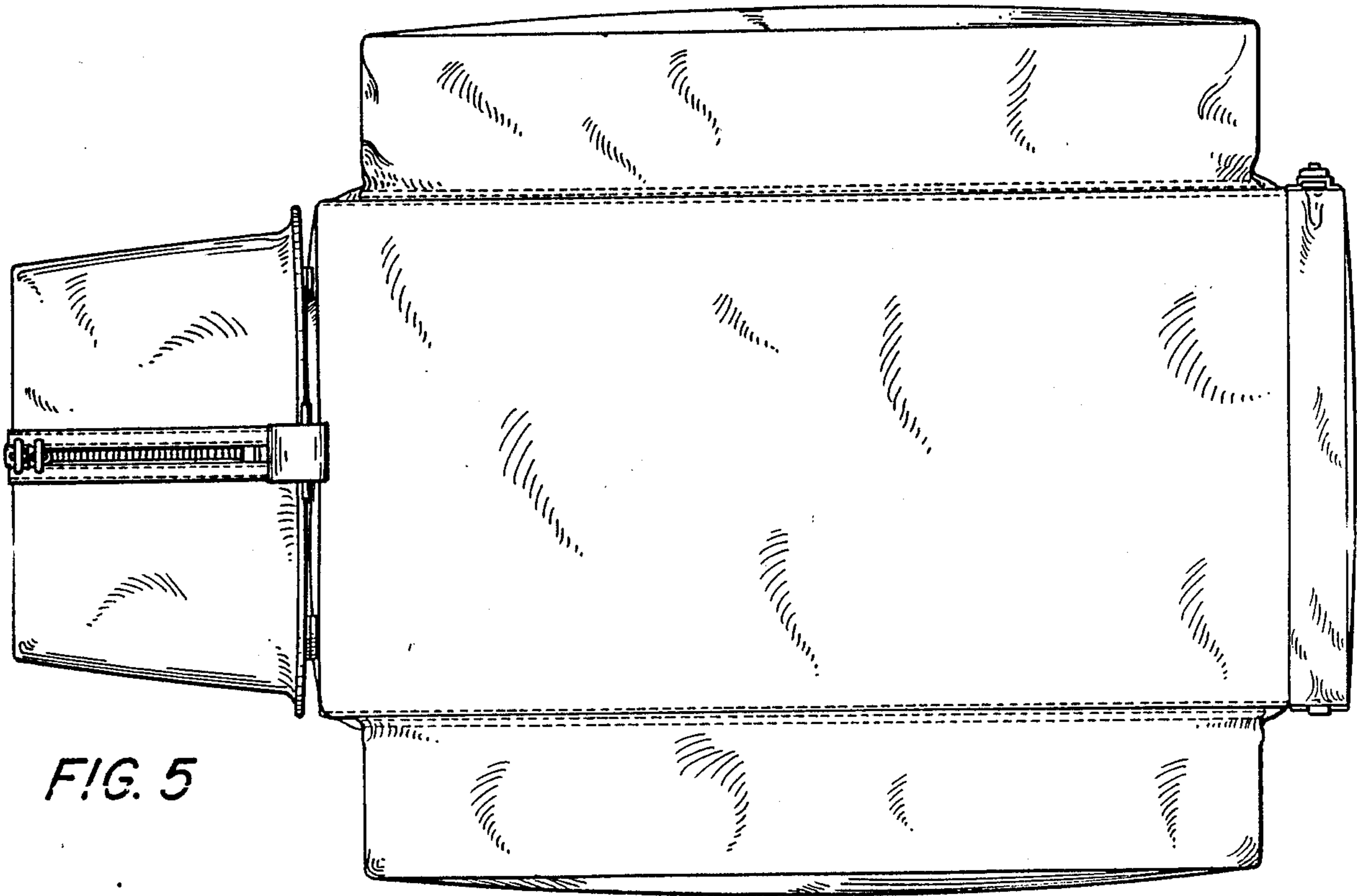


FIG. 5

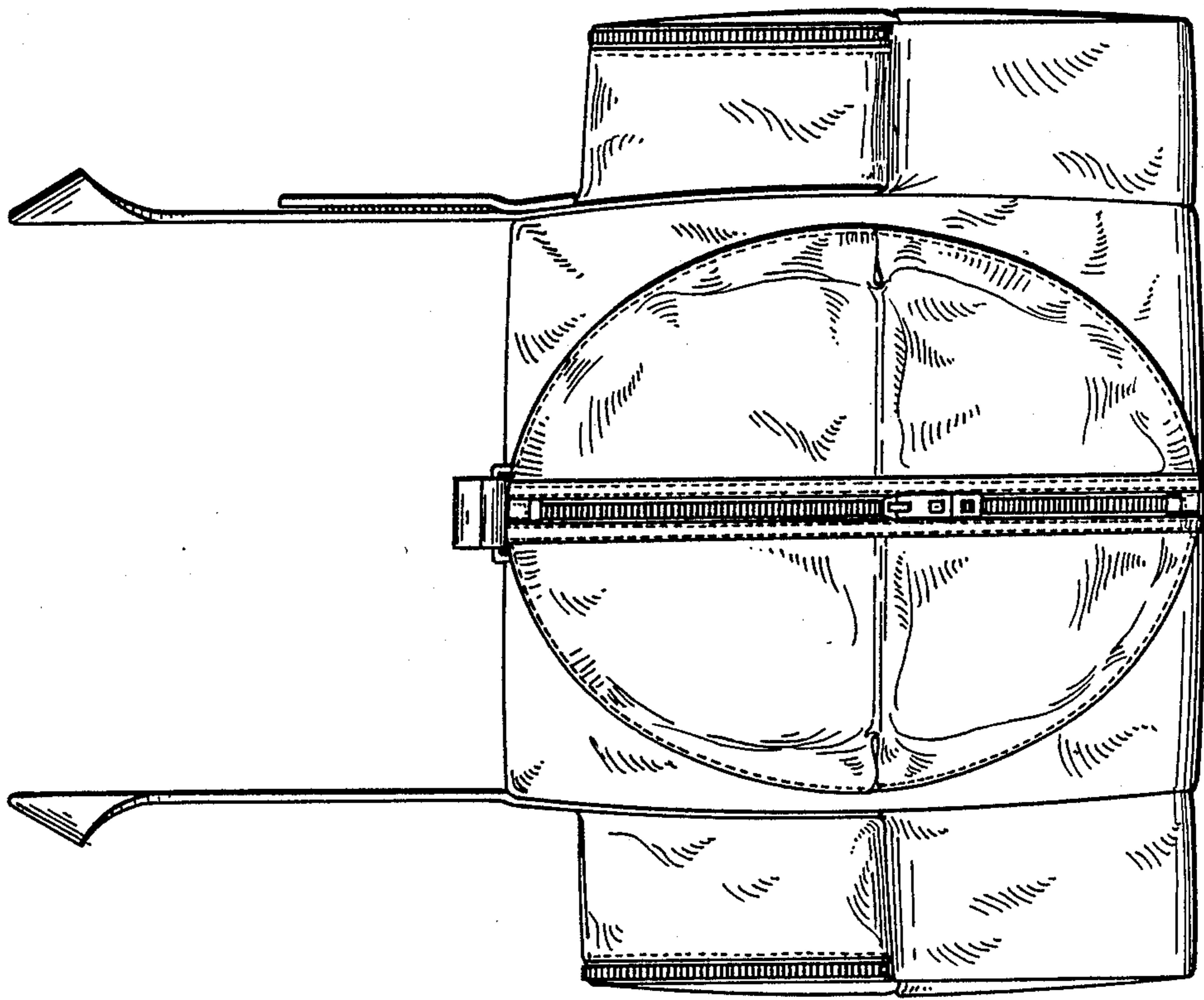


FIG. 7

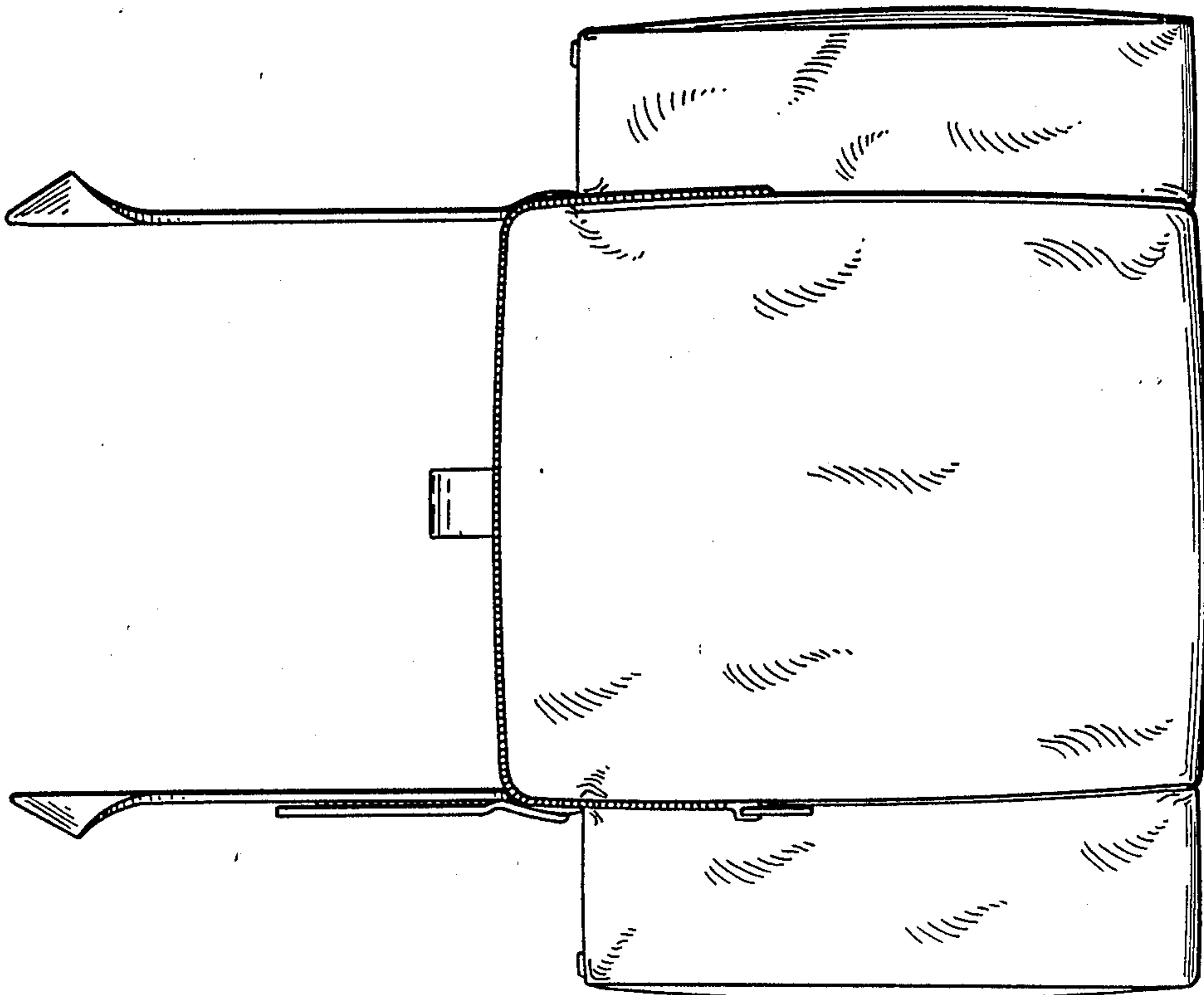


FIG. 6