

[54] KEY HOLDER

[75] Inventor: David Wischnowsky, West Warwick, R.I.

[73] Assignee: Garland Industries, Inc., Coventry, R.I.

[\*\*] Term: 14 Years

[21] Appl. No.: 10,834

[22] Filed: Feb. 4, 1987

[52] U.S. Cl. .... D3/61

[58] Field of Search ..... D3/61-65; 24/3 K, 239, 241 SL, 241 R, 241 S, 234, 314, 230.5 AD; 70/456 R-460, 469

[56] References Cited

U.S. PATENT DOCUMENTS

D. 156,228	11/1948	Gaudriot	.....	D3/62
D. 158,306	4/1950	Modrey	.....	D3/61
D. 271,255	11/1983	Rousseau	.....	D3/61
D. 271,443	11/1983	MacDonald	.....	D3/61
314,028	3/1885	Jones	.....	D3/61
3,363,440	1/1968	Rivers	.....	D3/61

OTHER PUBLICATIONS

Hong Kong Enterprise, 1-1985 catalog, p. 307, located in lower left hand corner, item 402.

Primary Examiner—Louis S. Zarfes  
Assistant Examiner—R. T. Seifert  
Attorney, Agent, or Firm—Salter & Michaelson

[57] CLAIM

The ornamental design for a key holder, as shown and described.

DESCRIPTION

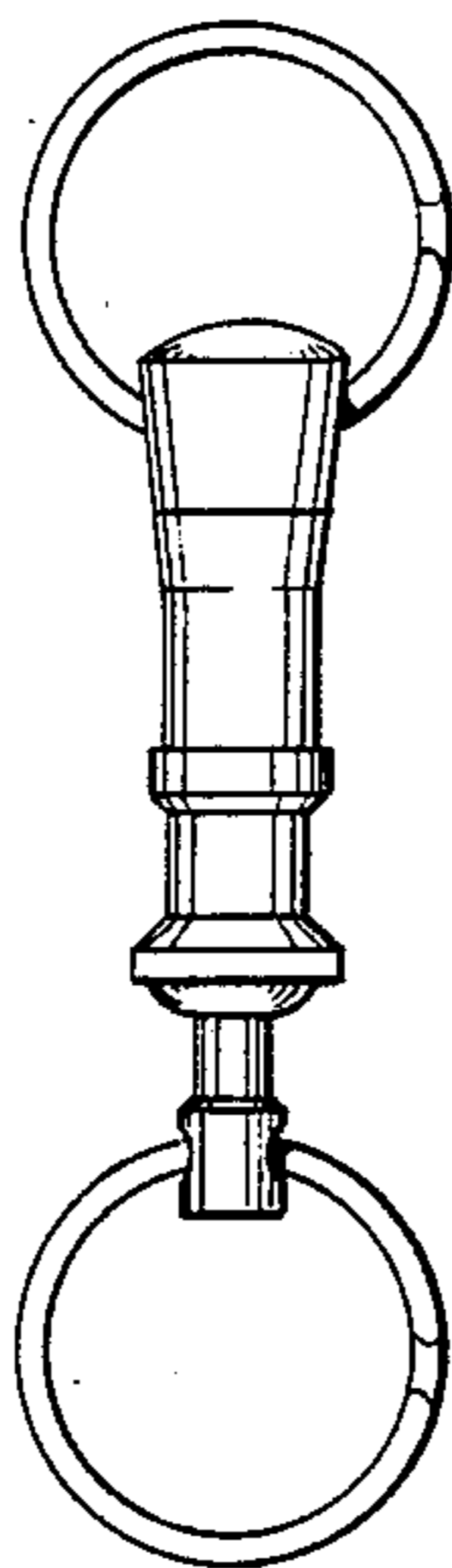
FIG. 1 is a front elevational view of a key holder showing my new design, the rear elevational view being a mirror image thereof;

FIG. 2 is a side elevational view thereof, the opposite side being a mirror image thereof;

FIG. 3 is a top plan view thereof; and

FIG. 4 is a bottom plan view thereof.

A characteristic feature of my design resides in the gentle outward flaring of the body portion of the holder adjacent the top end thereof.



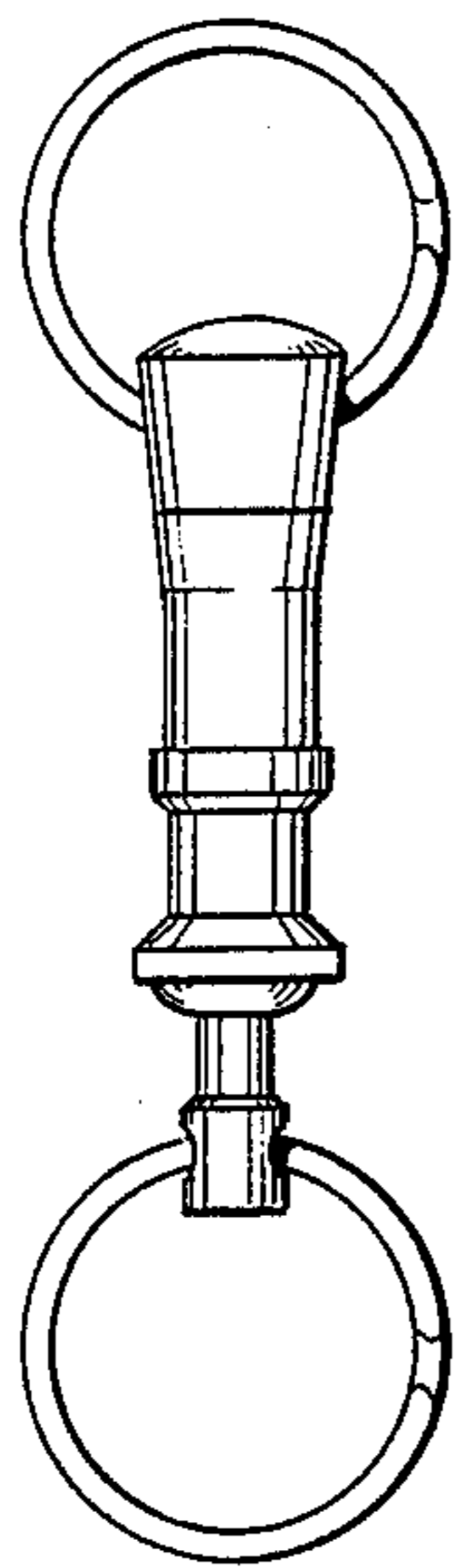


FIG. 1

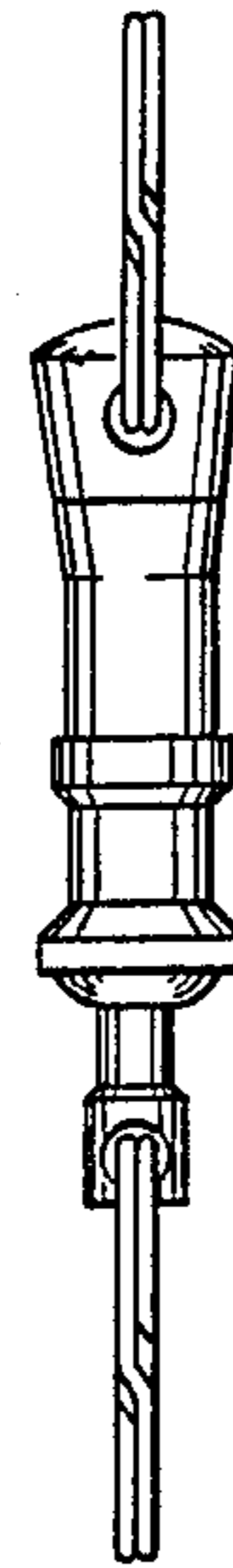


FIG. 2

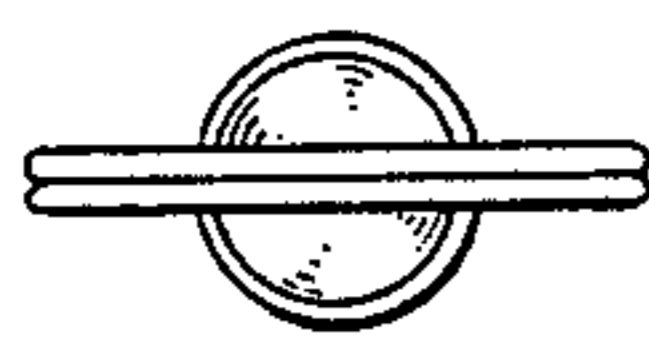


FIG. 3



FIG. 4