

[54] **COMPACT DISC FILE**

[75] **Inventors: Jerry L. Long, Scotts Valley; Peter J. Palmer, Cupertino, both of Calif.**

[73] **Assignee: Creative Point, Inc., Fremont, Calif.**

[\*\*] **Term: 14 Years**

[21] **Appl. No.: 904,262**

[22] **Filed: Sep. 5, 1986**

[52] **U.S. Cl. .... D3/35**

[58] **Field of Search ..... D3/35, 407, 466, 467, D3/74, 76, 78; D6/407; D23/314, 318, 332, 333, 334, 335, 359, 360, 361; D14/11; 206/387**

[56] **References Cited**

**U.S. PATENT DOCUMENTS**

D. 259,676 6/1981 Ackeret ..... D3/35

D. 260,456 9/1981 Davies et al. .... D3/35  
D. 298,287 11/1988 Stravitz ..... D3/35 X  
4,266,834 5/1981 Ackeret ..... D3/35 X

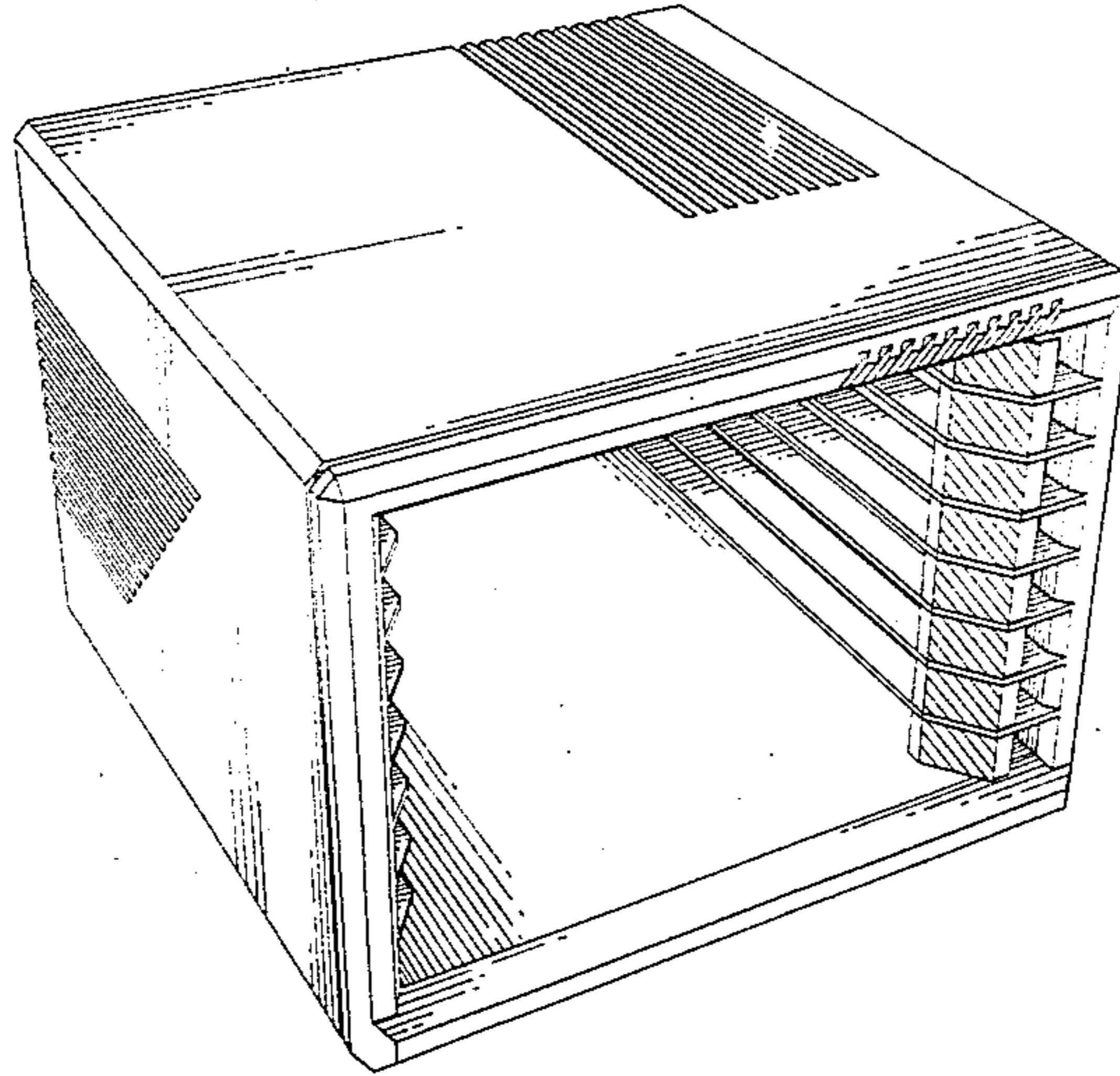
*Primary Examiner*—Nelson C. Holtje  
*Assistant Examiner*—Antoine D. Davis  
*Attorney, Agent, or Firm*—Michael J. Hughes

[57] **CLAIM**

The ornamental design for a compact disc file, as shown and described.

**DESCRIPTION**

FIG. 1 is a top, front and left side perspective view of a compact disc file showing our new design;  
FIG. 2 is a top plan view thereof;  
FIG. 3 is a front elevational view thereof;  
FIG. 4 is a rear elevational view thereof;  
FIG. 5 is a left side elevational view thereof; and  
FIG. 6 is a right side elevational view thereof.



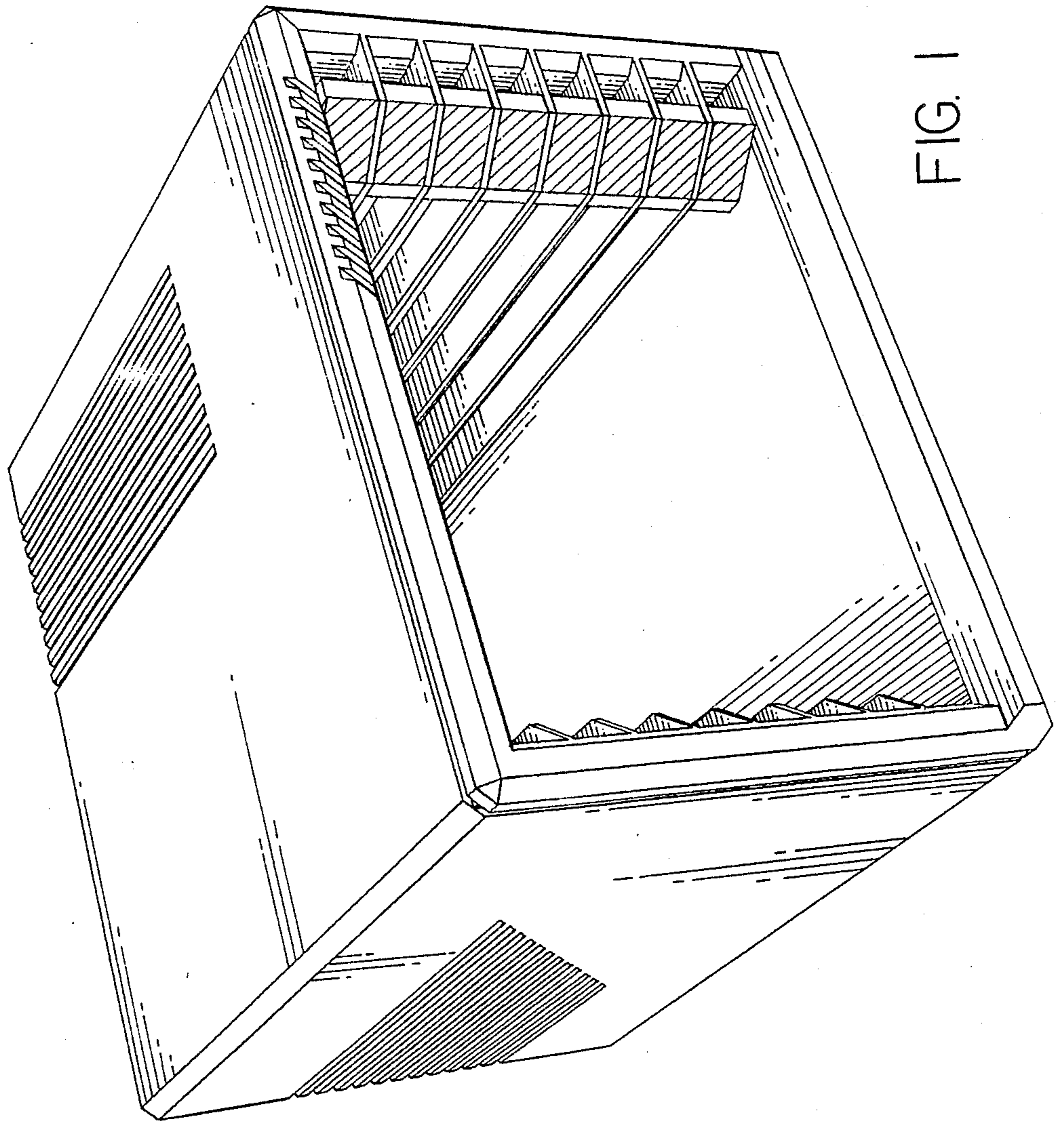


FIG. 1

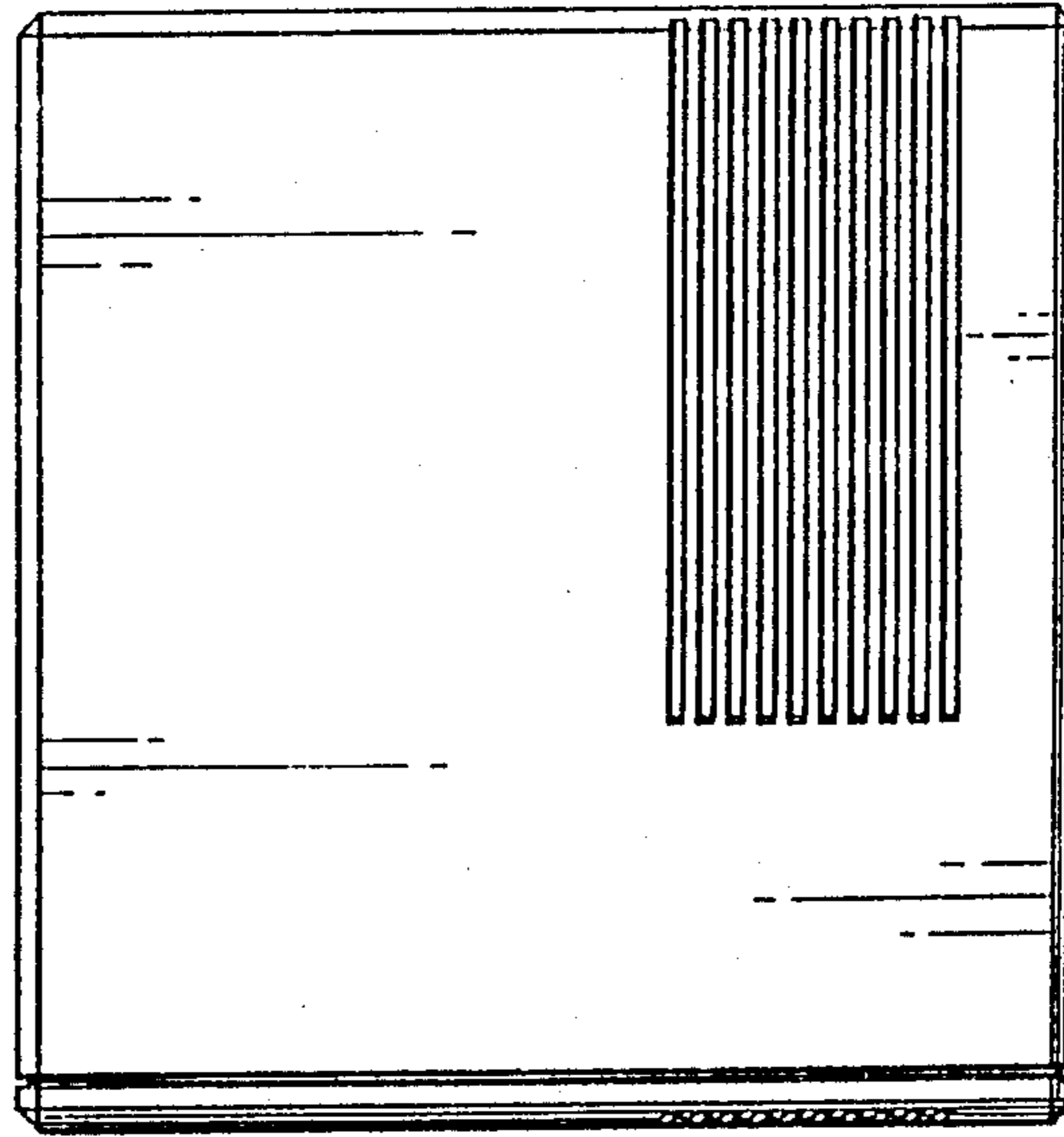


FIG. 2

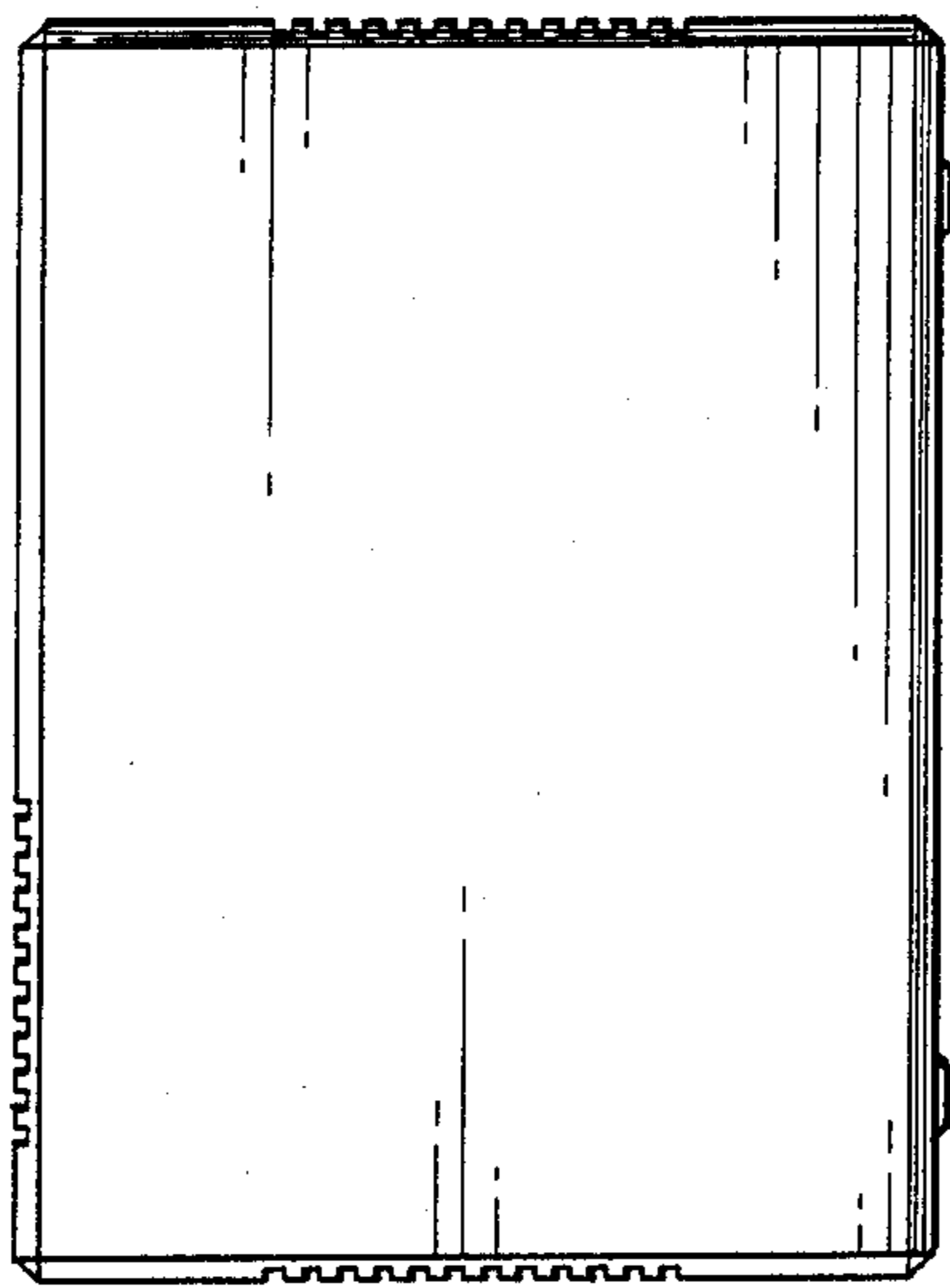


FIG. 4

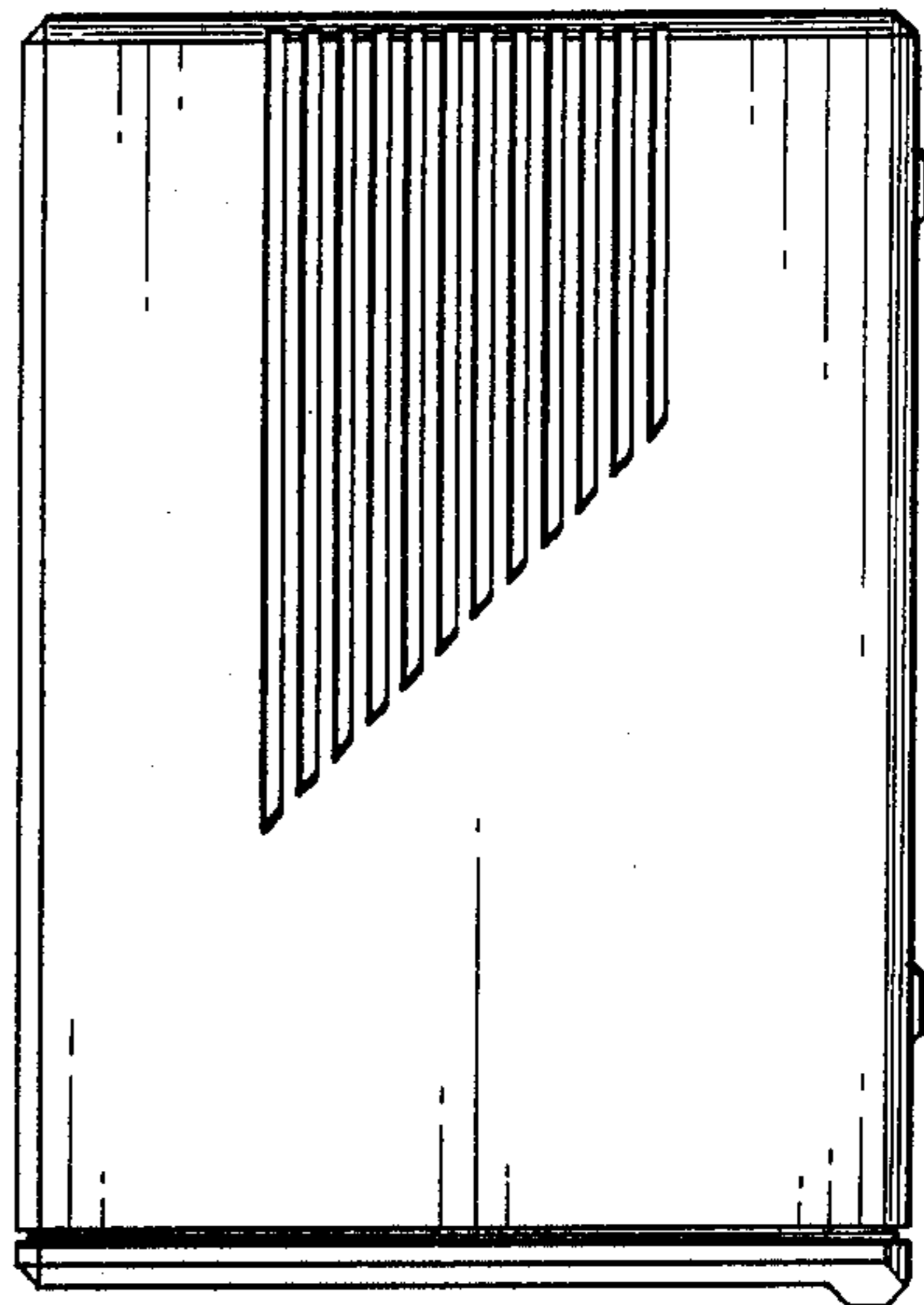


FIG. 6

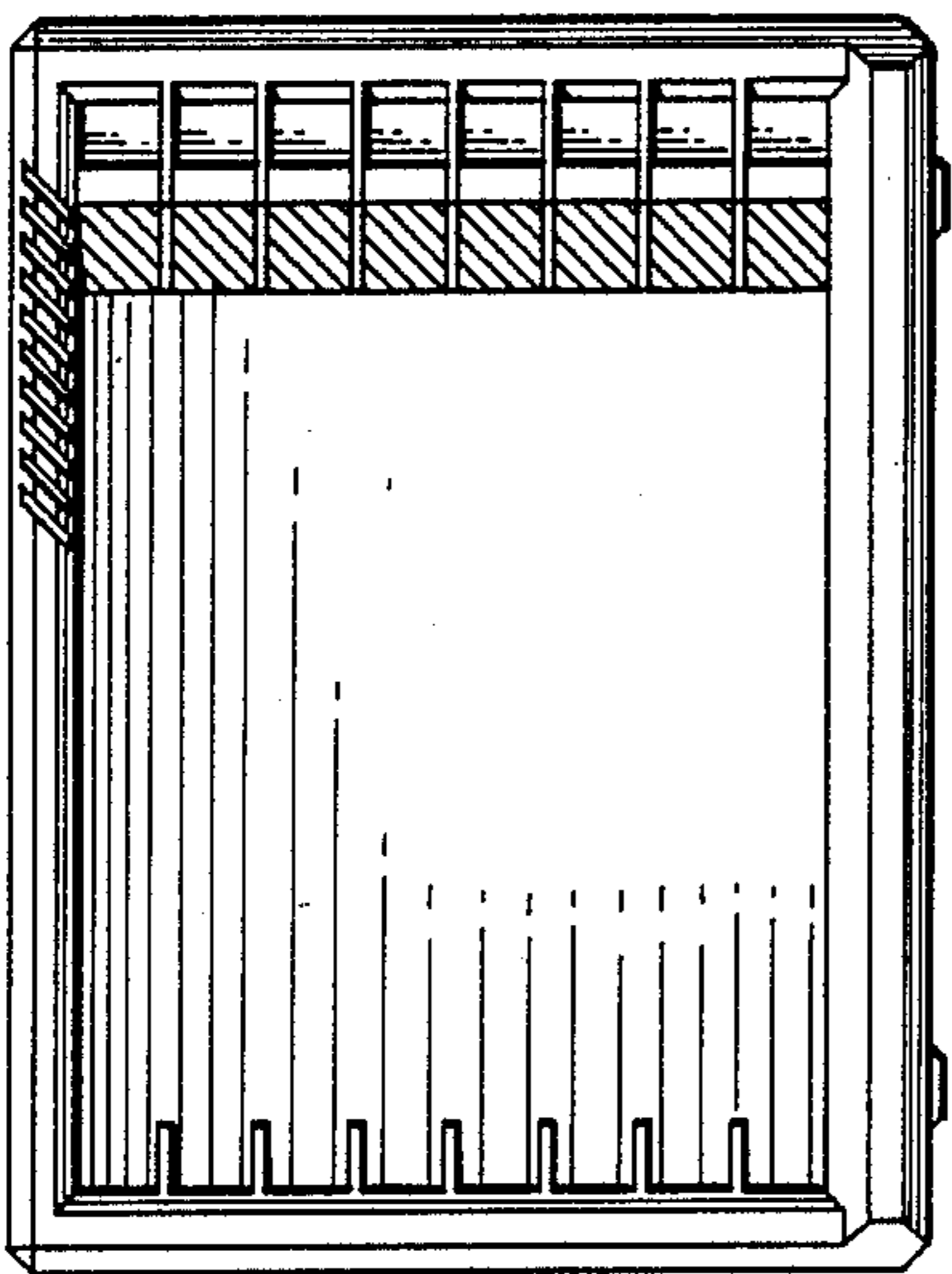


FIG. 3

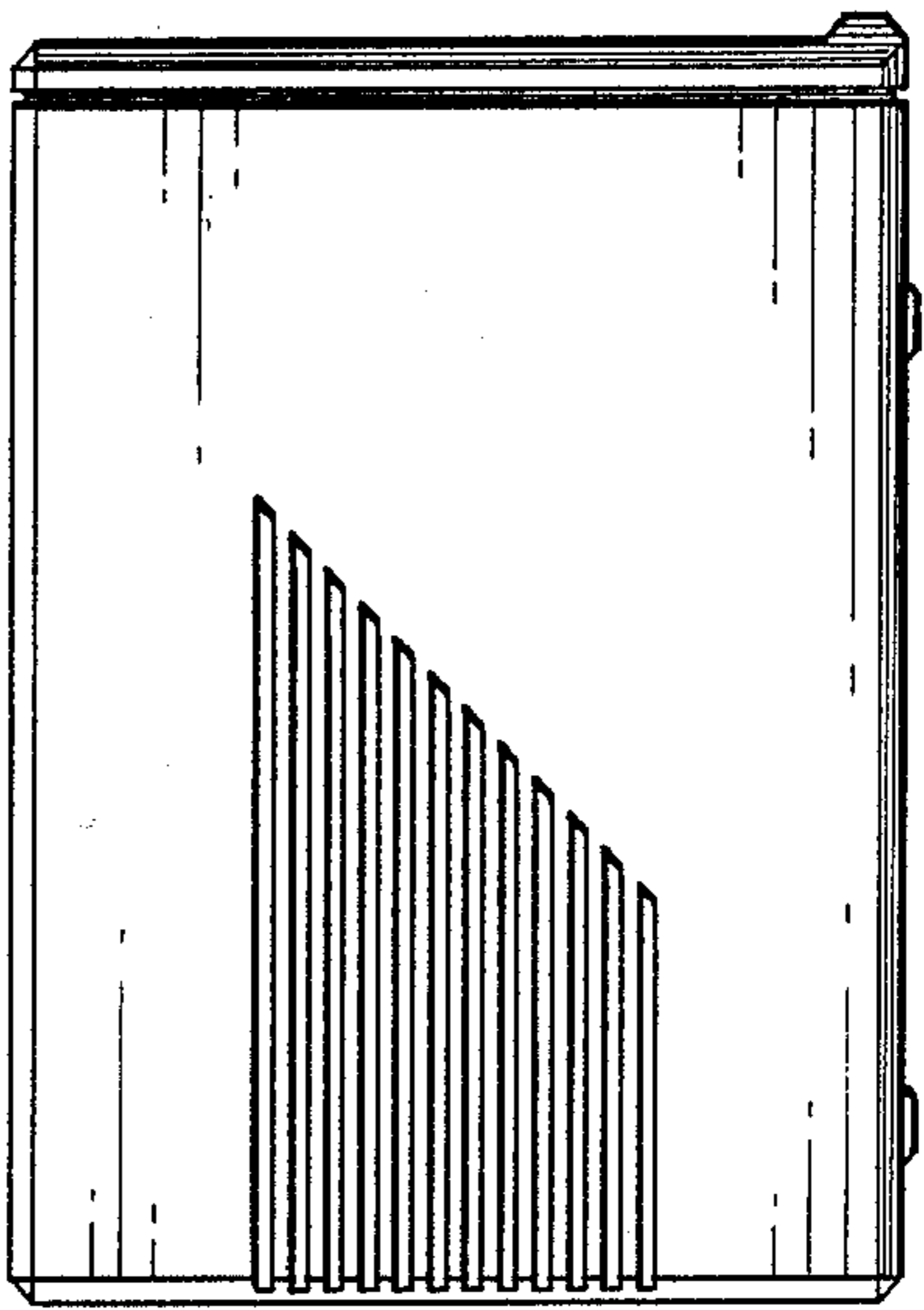


FIG. 5