

[54] **WELDING HELMET**

[76] **Inventor: Dennis A. Van Wyk, 1097 Calvin St., Eugene, Oreg. 97401**

[**] **Term: 14 Years**

[21] **Appl. No.: 80,583**

[22] **Filed: Aug. 3, 1987**

[52] **U.S. Cl. D29/15**

[58] **Field of Search D29/7-10, D29/12, 15-18; 2/8-9; 128/201.22, 201.23**

[56] **References Cited**

U.S. PATENT DOCUMENTS

D. 181,887	1/1958	Stuart et al.	D29/9
D. 220,076	3/1971	Anderson	D29/9
D. 249,827	10/1978	Rieppel et al.	D29/9
D. 267,207	12/1982	Hilton	D29/9

D. 296,832 7/1988 Bachik D29/9

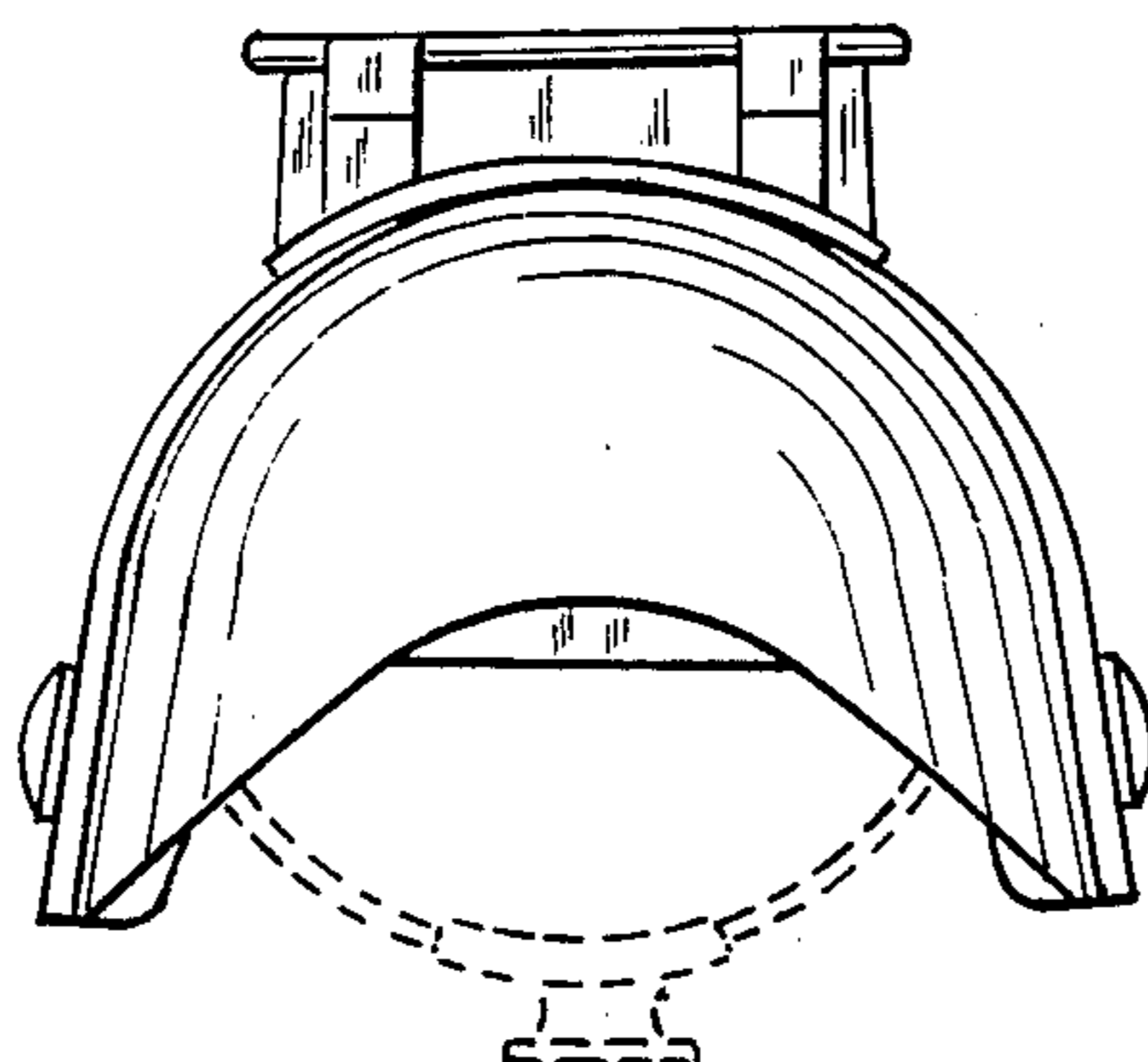
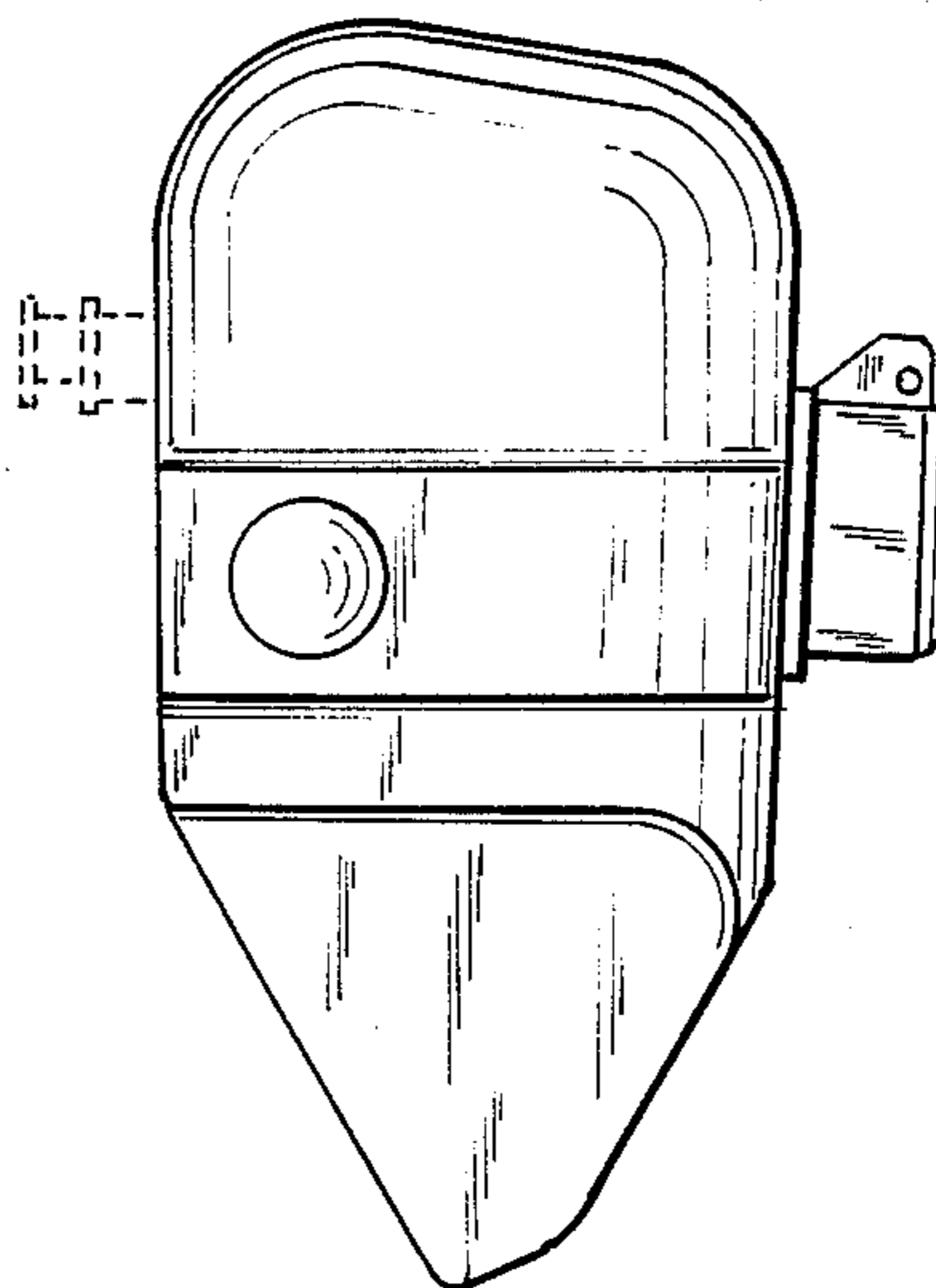
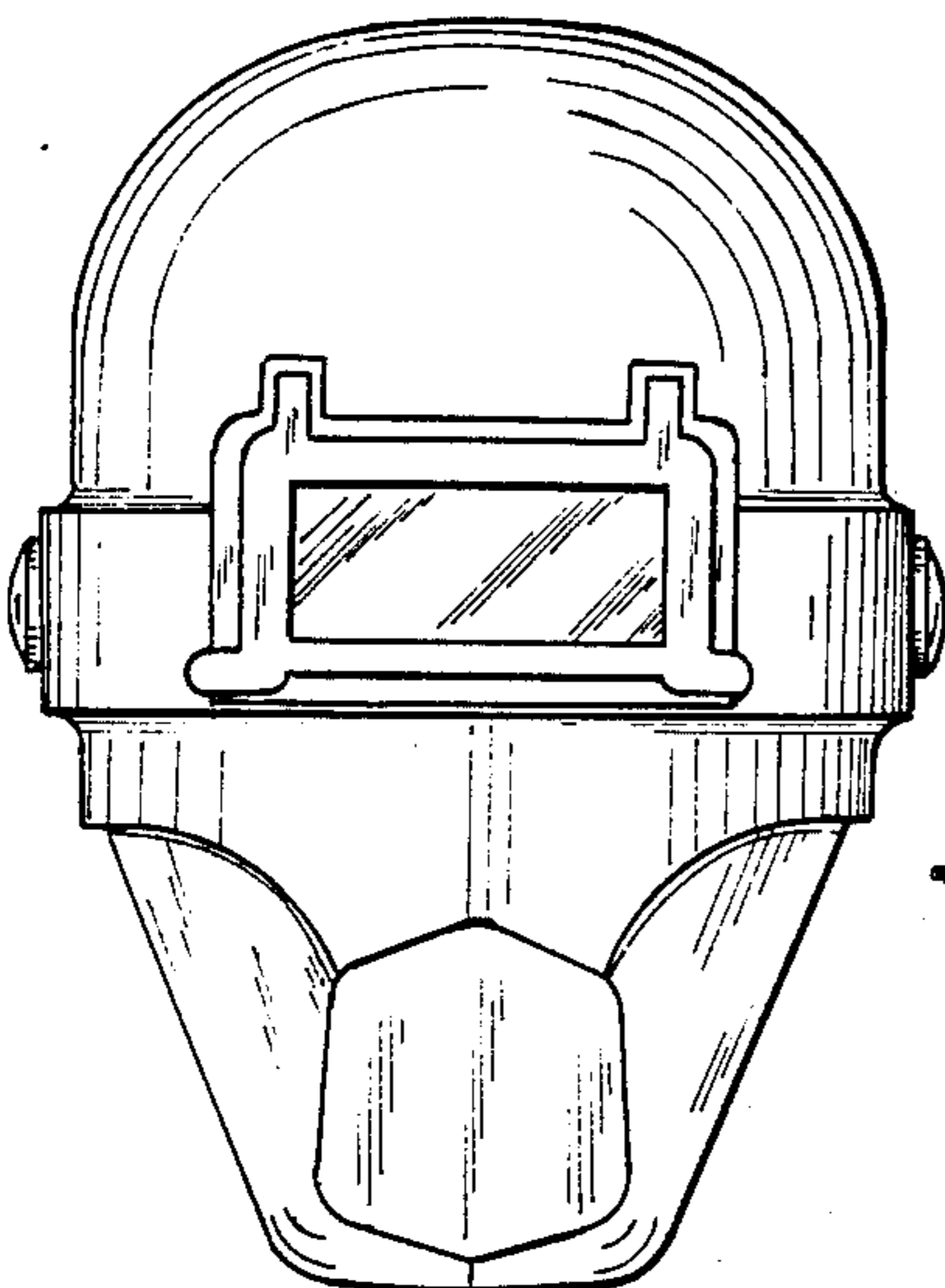
Primary Examiner—A. Hugo Word
Assistant Examiner—Ruth McInroy
Attorney, Agent, or Firm—John F. Ingman

[57] **CLAIM**

The ornamental design for a welding helmet, as shown and described.

DESCRIPTION

FIG. 1 is a front elevational view of a welding helmet showing my new design; FIG. 2 is a rear elevational view thereof; FIG. 3 is a side elevational view thereof; FIG. 4 is a bottom plan view thereof; and FIG. 5 is a top plan view thereof. The headband shown in broken lines in FIGS. 3, 4 and 5 is for illustrative purposes only and forms no part of the claimed design.



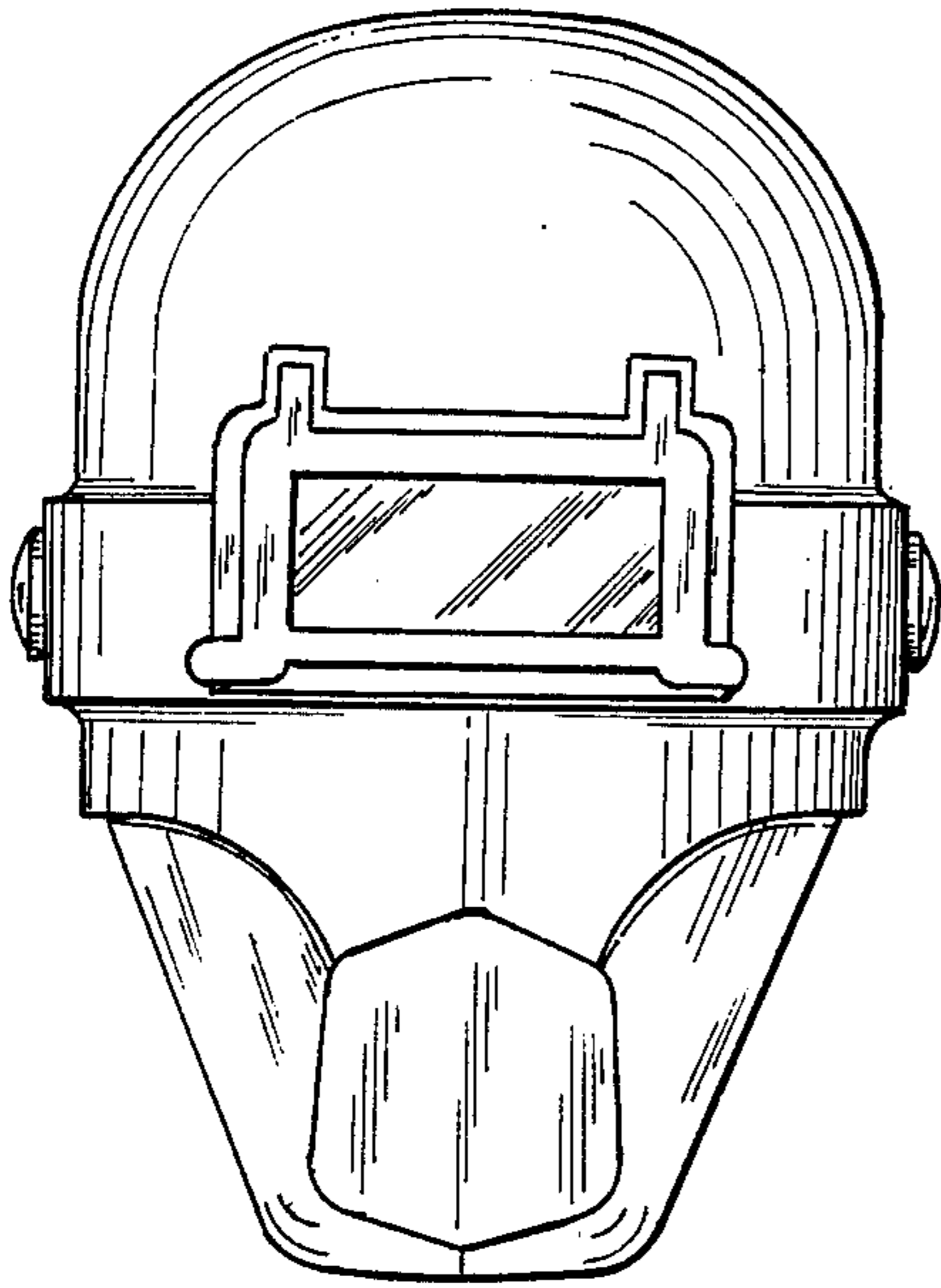


FIG. 1

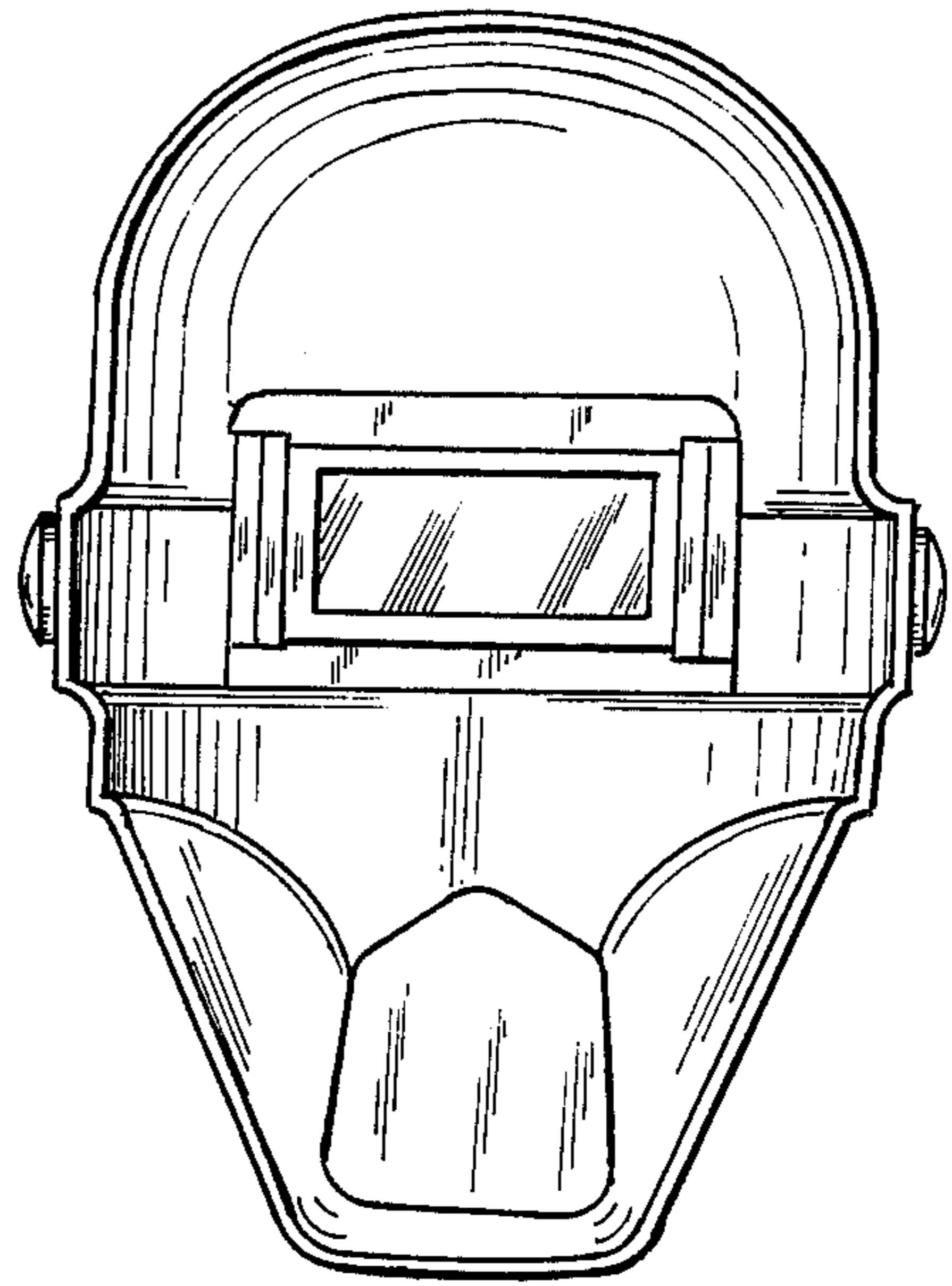


FIG. 2

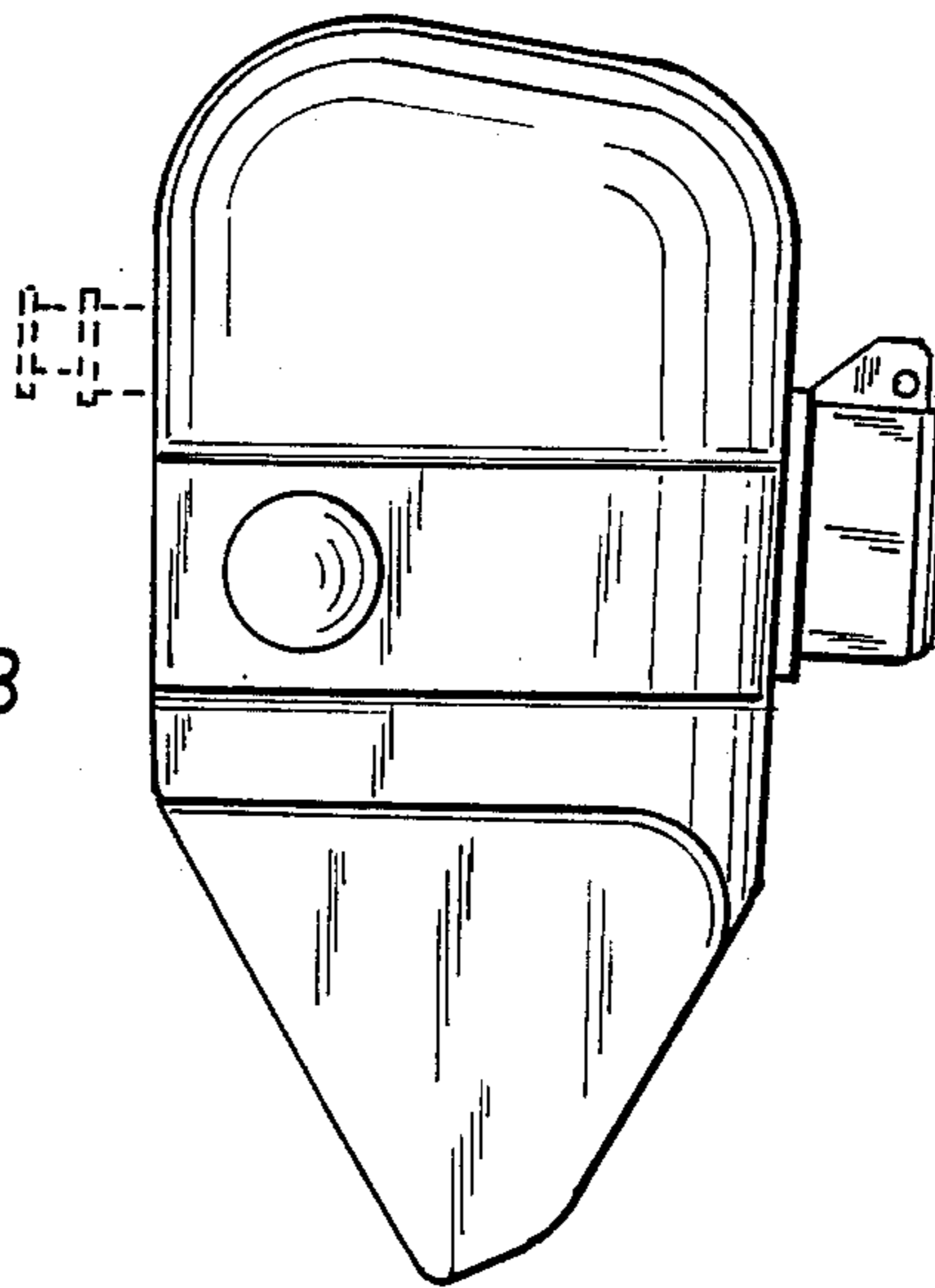


FIG. 3

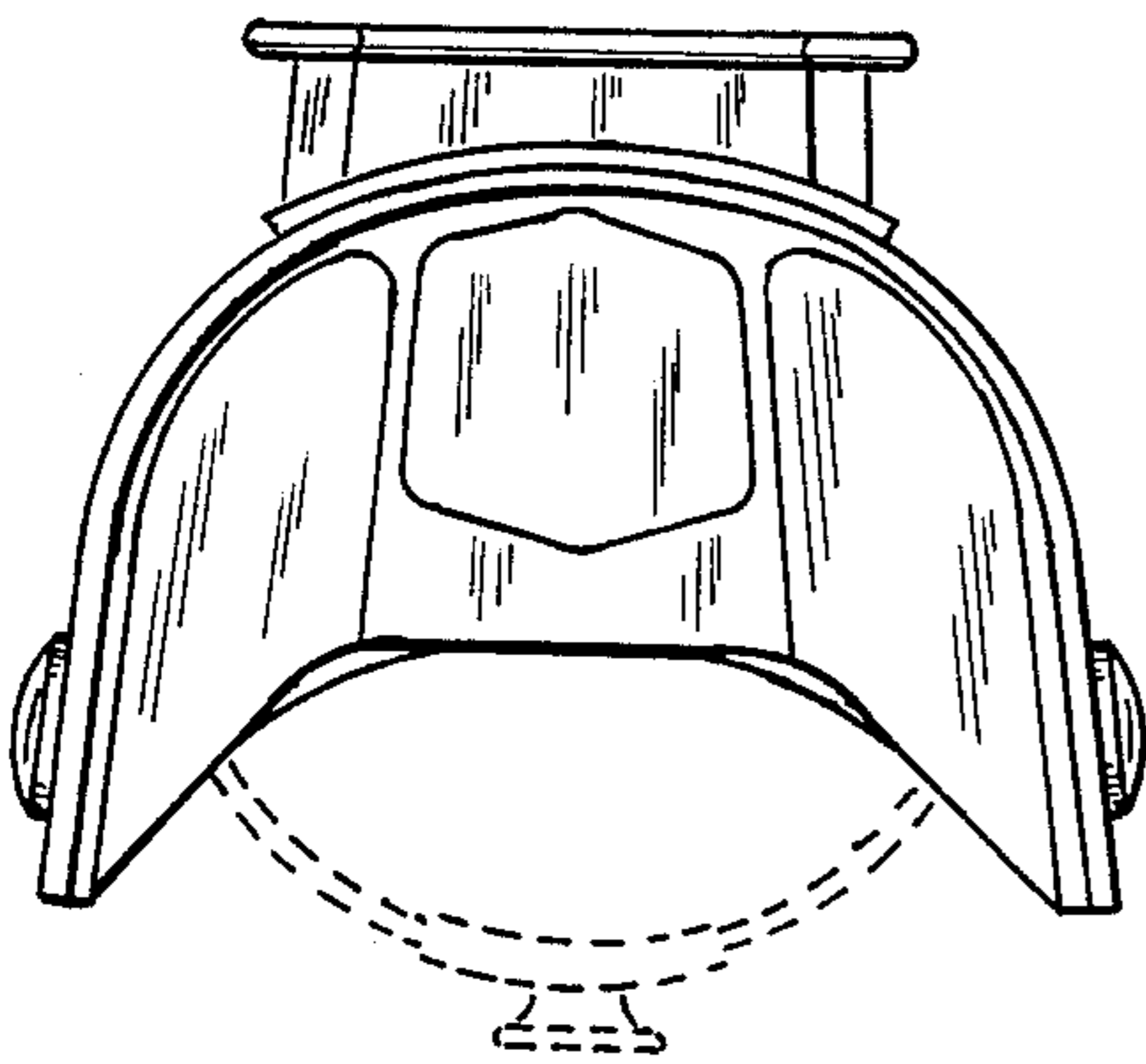


FIG. 4

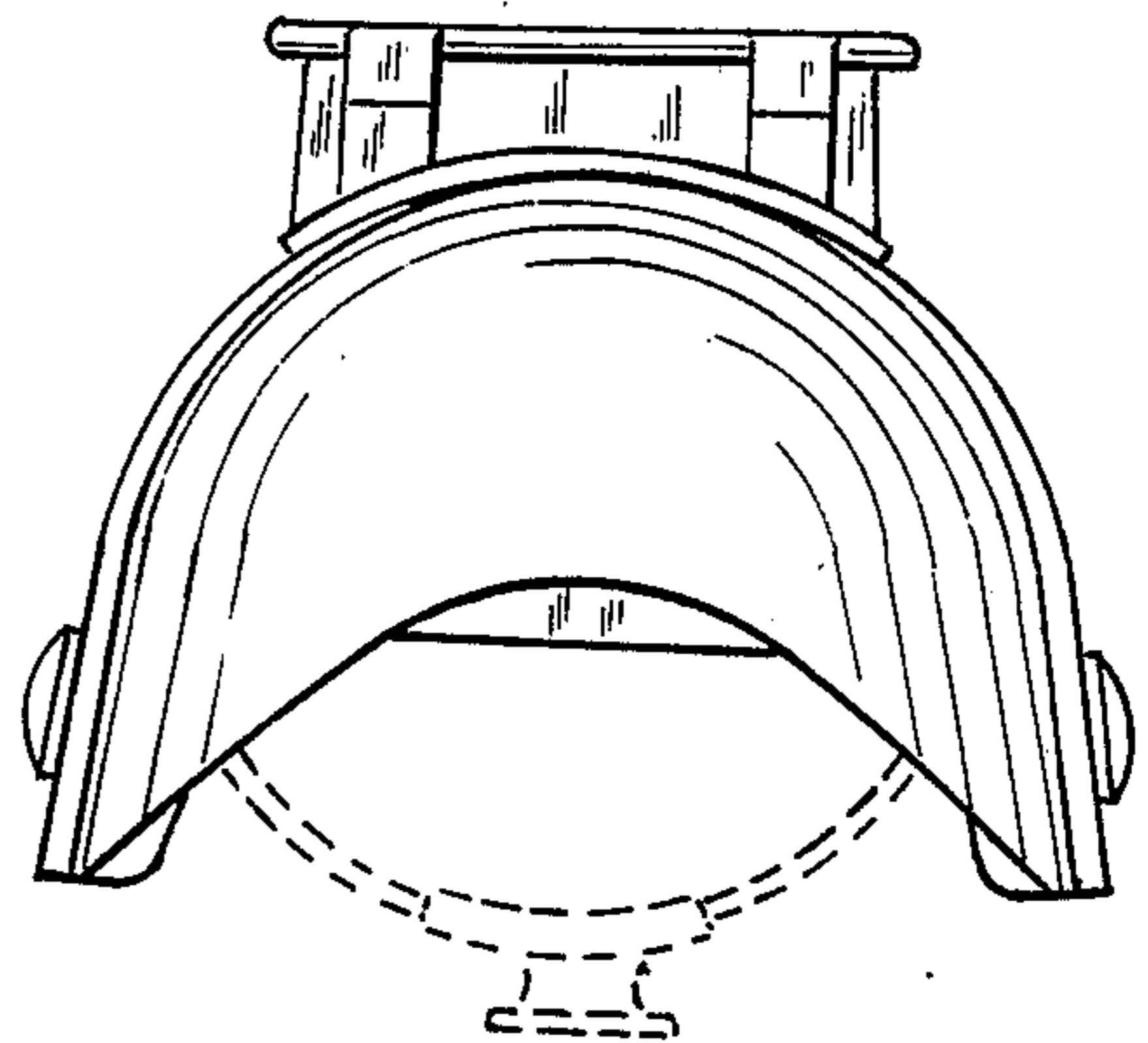


FIG. 5