

[54] COMBINED EYELASH COMB AND CASE

4,513,842 4/1985 Karlsberg 132/219 X

[76] Inventor: Susan J. McCarthy, 46 Randolph Ave., Waterbury, Conn. 06710

Primary Examiner—Bernard Ansher
Assistant Examiner—C. Tuttle
Attorney, Agent, or Firm—Dallett Hoopes

[**] Term: 14 Years

[21] Appl. No.: 171,286

[57] CLAIM

The ornamental design for a combined eyelash comb and case, as shown and described.

[22] Filed: Mar. 21, 1988

[52] U.S. Cl. D28/25

[58] Field of Search D28/9, 21-34, D28/73, 74; D3/30.1, 39; D9/337-340; 132/121, 143, 76.2, 103; 206/39, 39.3, 39.5, 39.6; D4/116-117, 121, 129, 138, 199

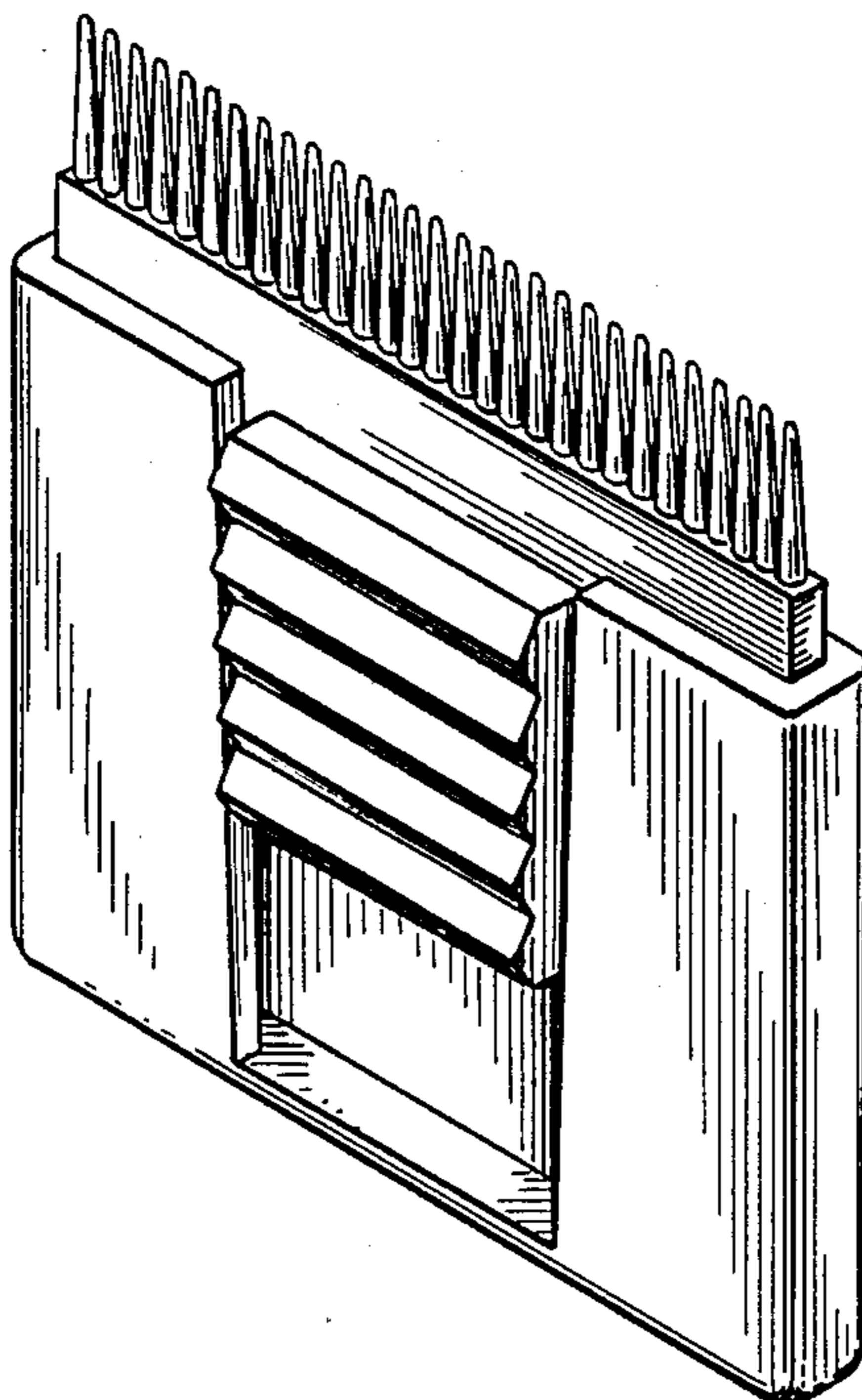
DESCRIPTION

FIG. 1 is a top perspective view of a combined eyelash comb and case showing my new design; FIG. 2 is a front elevational view thereof; FIG. 3 is a side elevational view thereof; FIG. 4 is a rear elevational view thereof, showing a partial portion of the teeth of the comb for ease of illustration; FIG. 5 is a top plan view thereof; FIG. 6 is a bottom plan view thereof; and FIG. 7 is a top perspective view thereof, showing the comb retracted into the case.

[56] References Cited

U.S. PATENT DOCUMENTS

- D. 217,315 4/1970 Brooks D28/25
- D. 276,188 10/1984 Metzner D28/25
- D. 289,335 4/1987 Scofield et al. D28/23
- 2,430,303 11/1947 Ruhl 132/114 X
- 2,477,245 7/1949 Giddings et al. 132/112 X



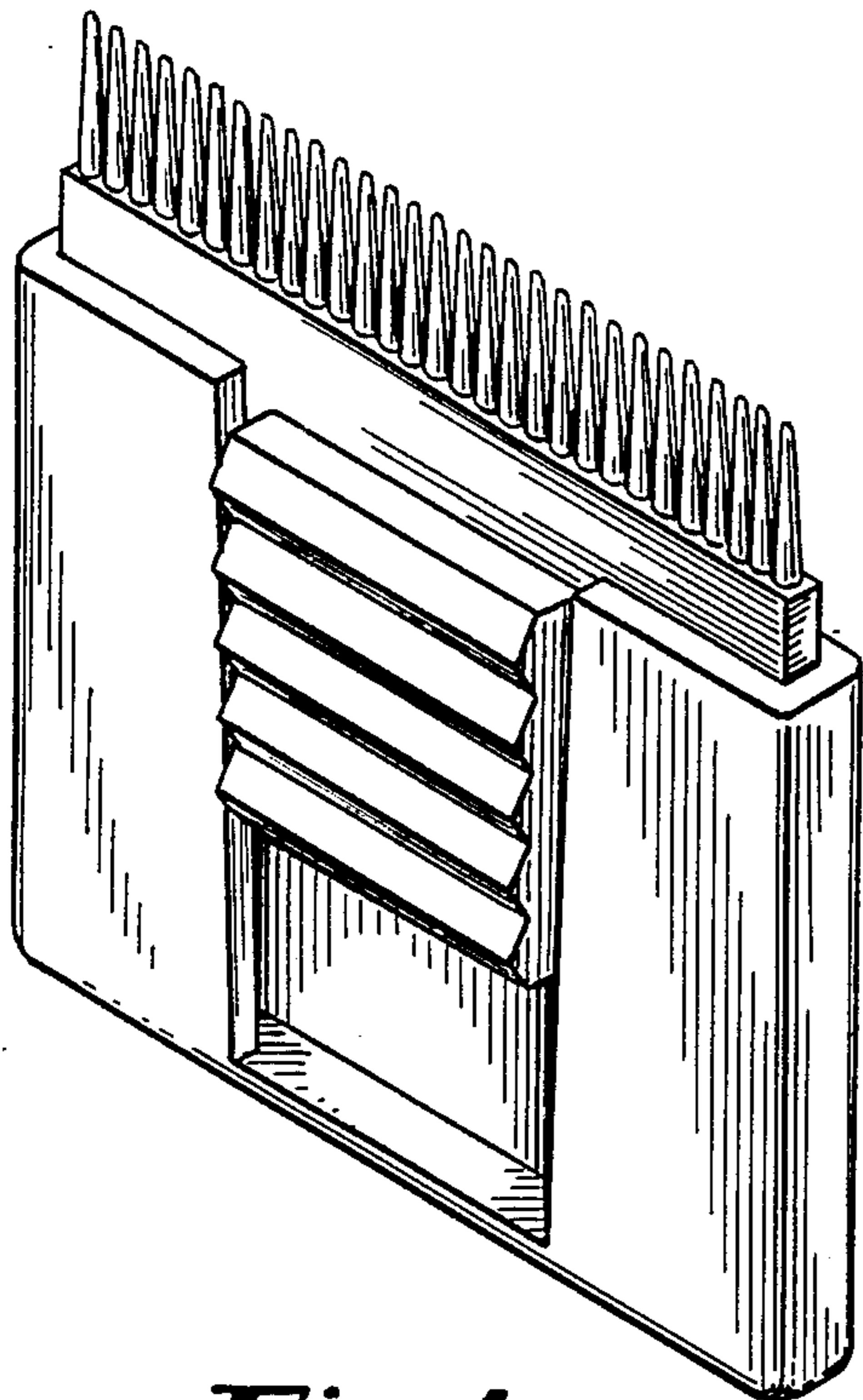


Fig. 1

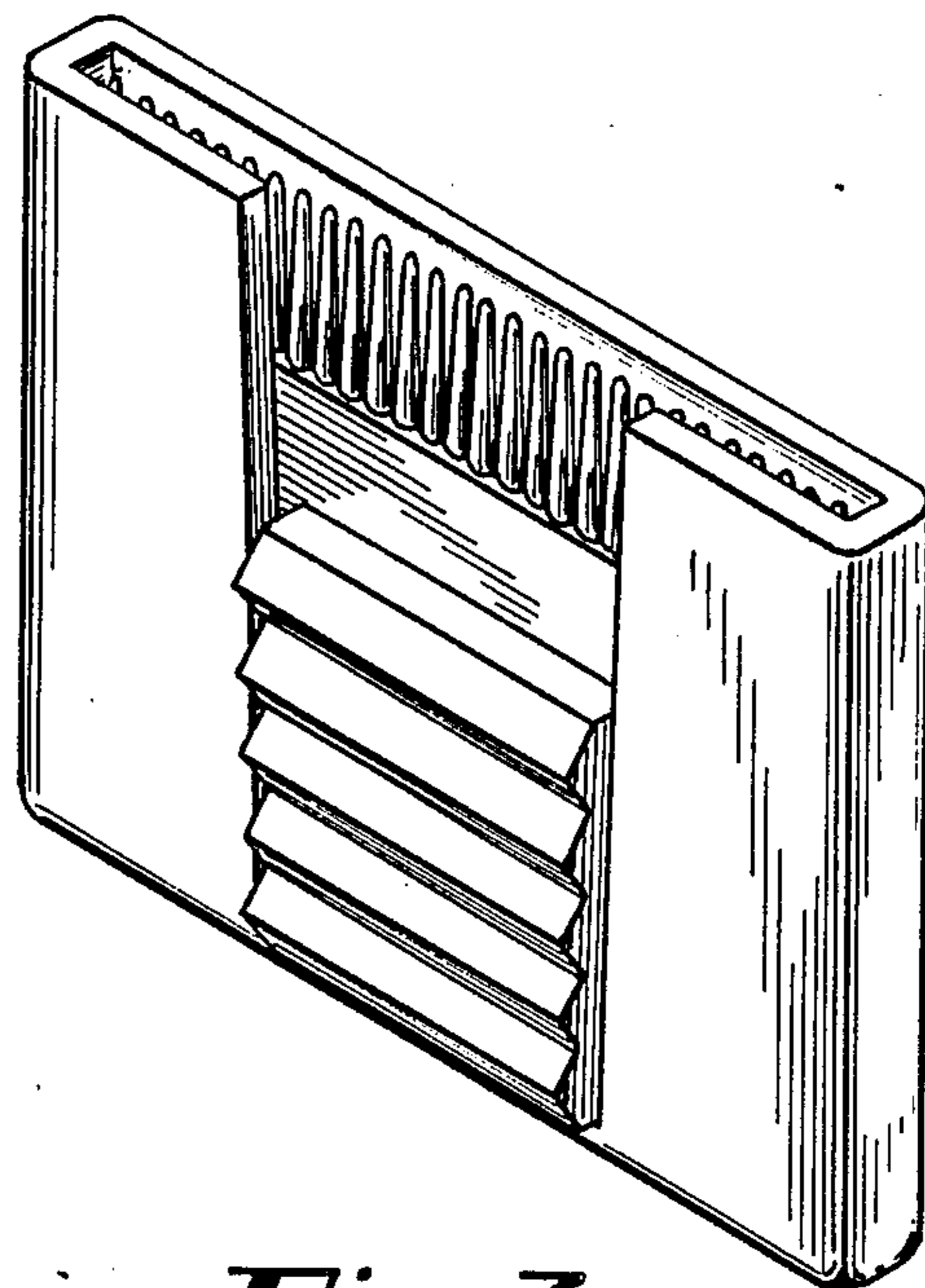


Fig. 7

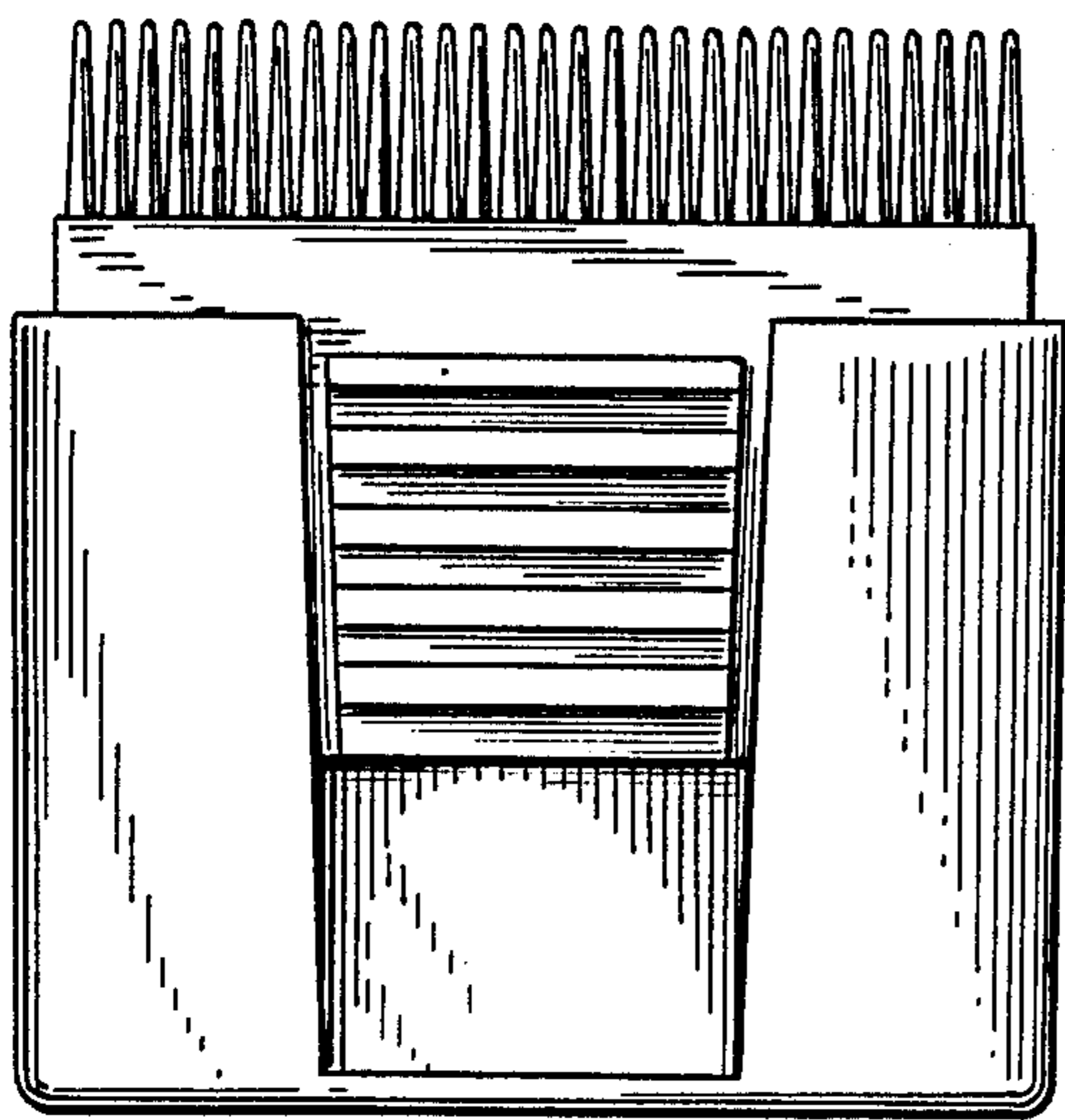


Fig. 2



Fig. 3

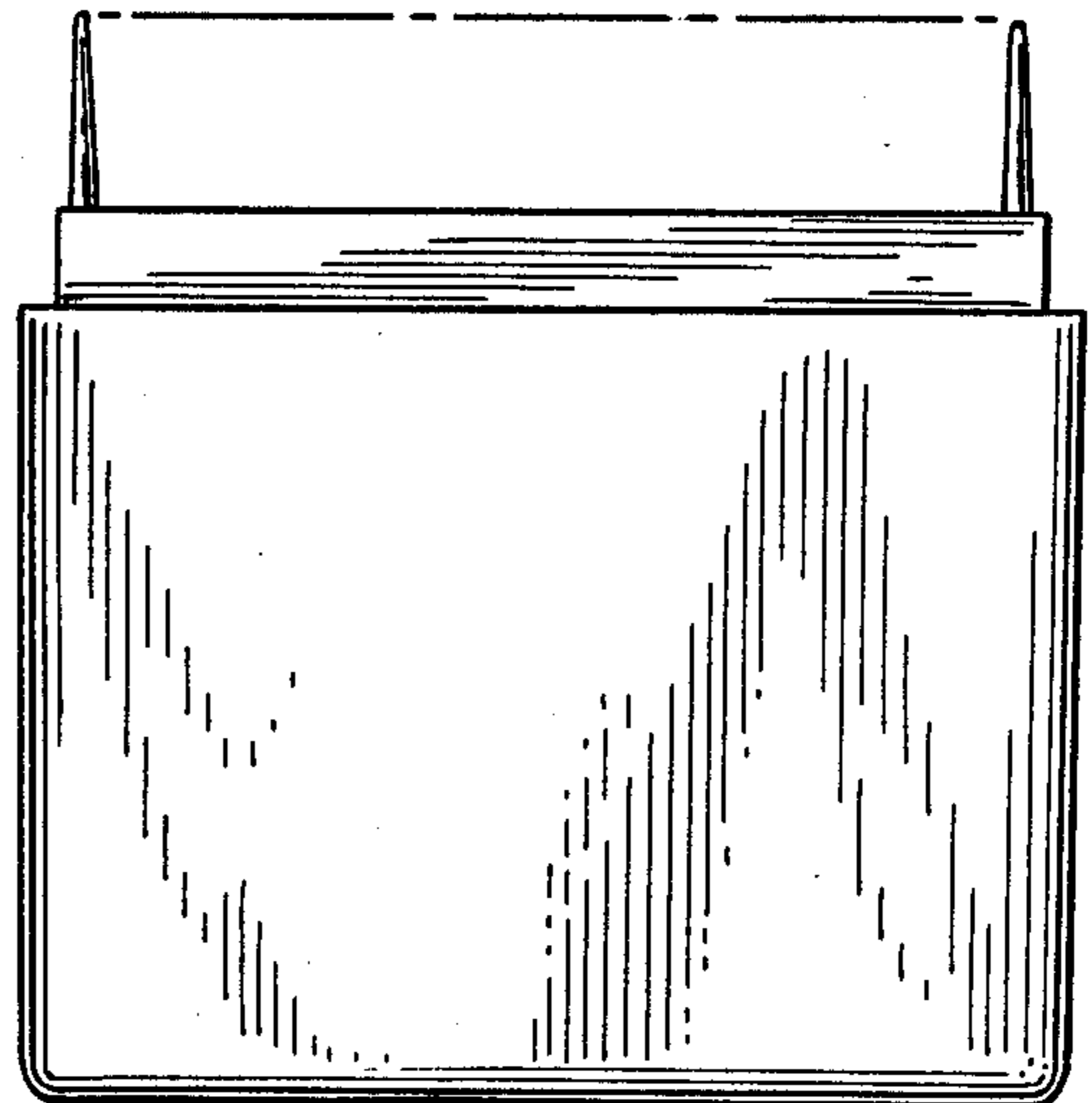


Fig. 4



Fig. 5



Fig. 6