

[54] Y-CONNECTOR OR SIMILAR ARTICLE FOR ENTERAL FEEDING TUBES

4,781,704 11/1988 Potter 604/270
4,874,365 10/1989 Frederick et al. 604/165 X

[75] Inventor: Kent E. Iversen, Columbus, Ohio

Primary Examiner—A. Hugo Word
Assistant Examiner—Stella M. Reid
Attorney, Agent, or Firm—Donald O. Nickey; E. H. Gorman, Jr.; Martin Katz

[73] Assignee: Abbott Laboratories, Abbott Park, Ill.

[**] Term: 14 Years

[57] CLAIM

[21] Appl. No.: 118,685

The ornamental design for a Y-connector or similar article for enteral feeding tubes, as shown and described.

[22] Filed: Nov. 6, 1987

[52] U.S. Cl. D24/53

DESCRIPTION

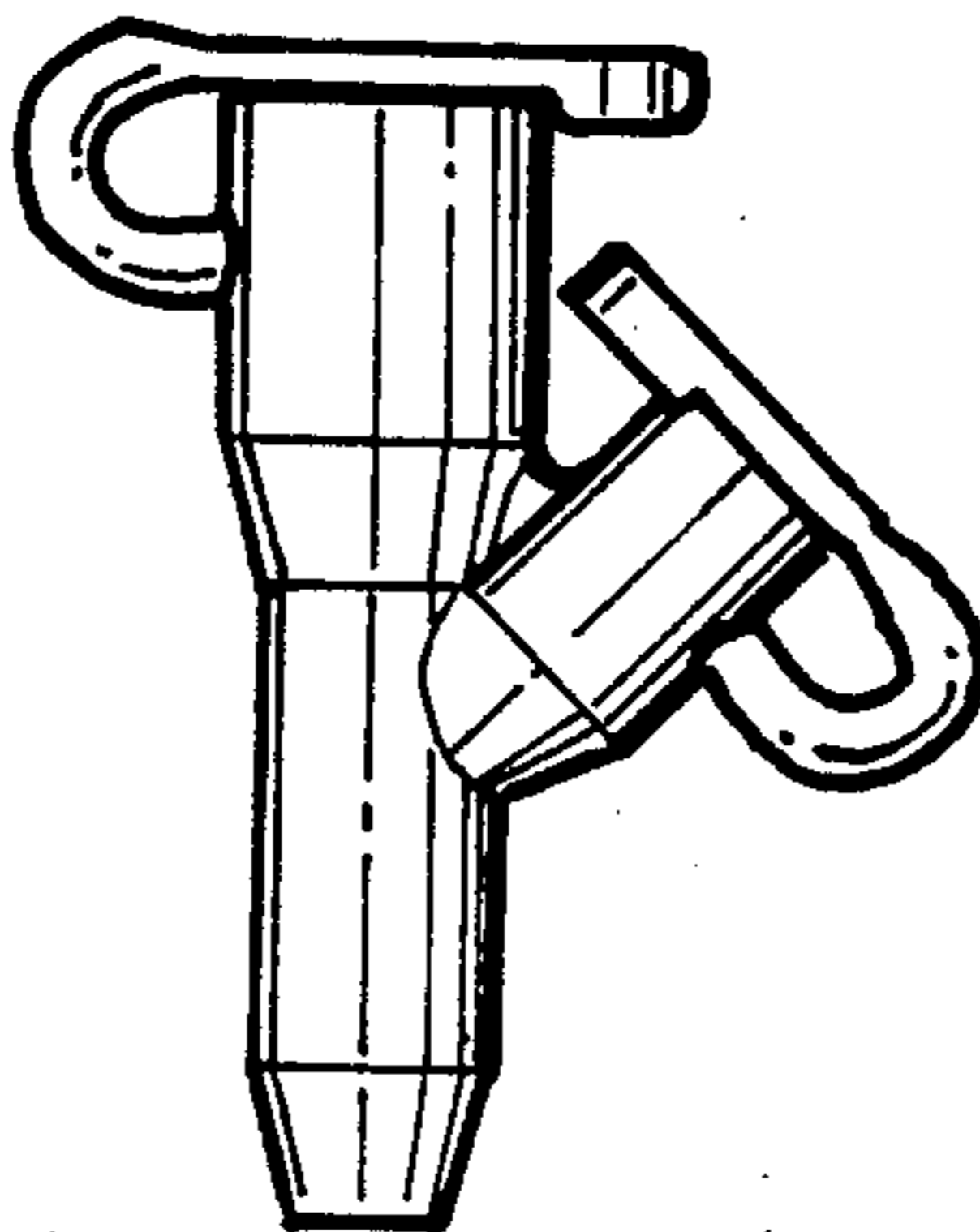
[58] Field of Search D24/53; 604/165, 167, 604/96, 103, 256, 283, 250, 251, 54, 80, 82, 83, 281, 264, 270, 257; 128/658, 673

FIG. 1 is a front elevational view of a Y-connector or similar article for enteral feeding tubes showing my new design with the two entry ports uncapped; FIG. 2 is a top plan view thereof; FIG. 3 is a right side elevational view thereof; FIG. 4 is a left side elevational view thereof; FIG. 5 is a bottom plan view thereof; FIG. 6 is a rear elevational view thereof; and FIG. 7 is a front elevational view similar to FIG. 1 but with the two entry ports capped.

[56] References Cited

U.S. PATENT DOCUMENTS

3,741,217 6/1973 Ciarico 604/256
4,560,378 12/1985 Weiland 604/83
4,661,110 4/1987 Fortier et al. 604/256
4,668,225 5/1987 Russo et al. 604/270



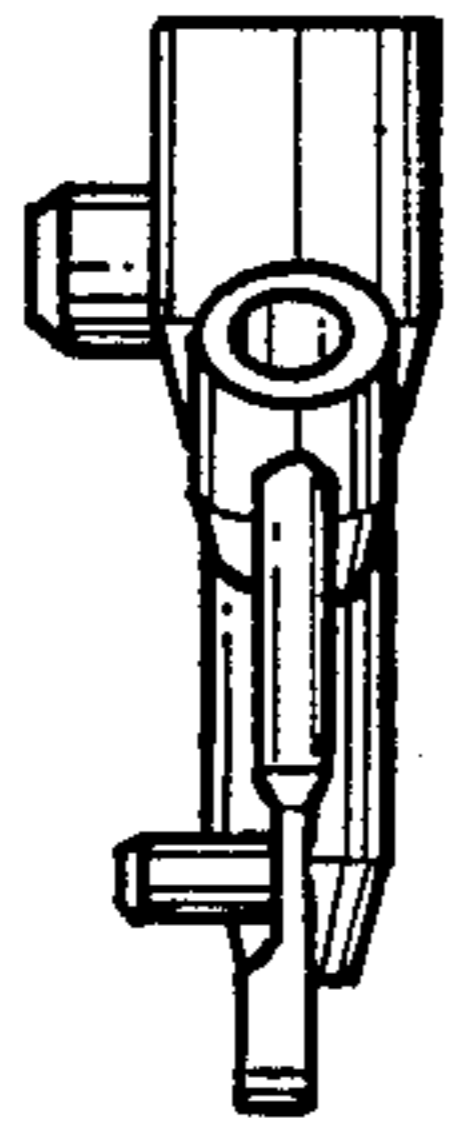


FIG. 3

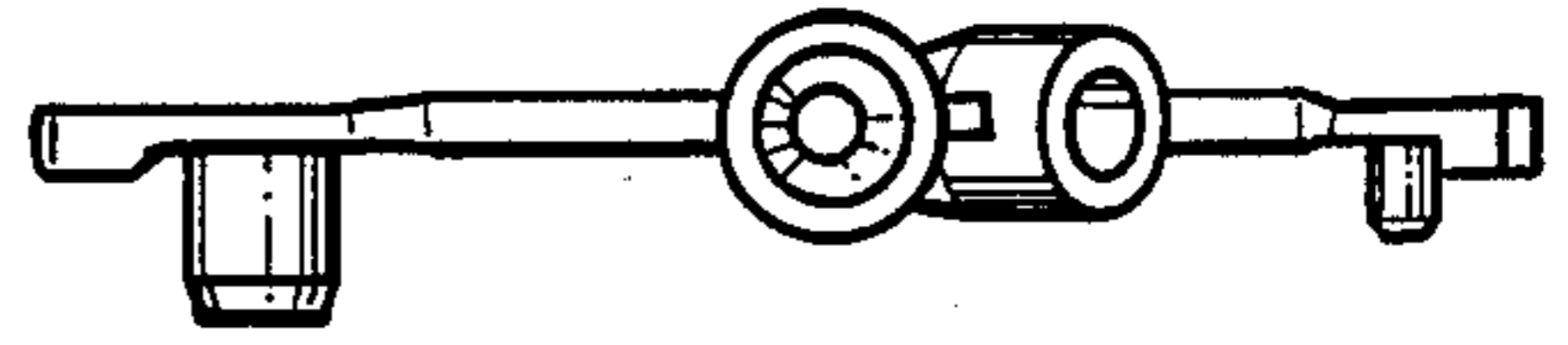


FIG. 2

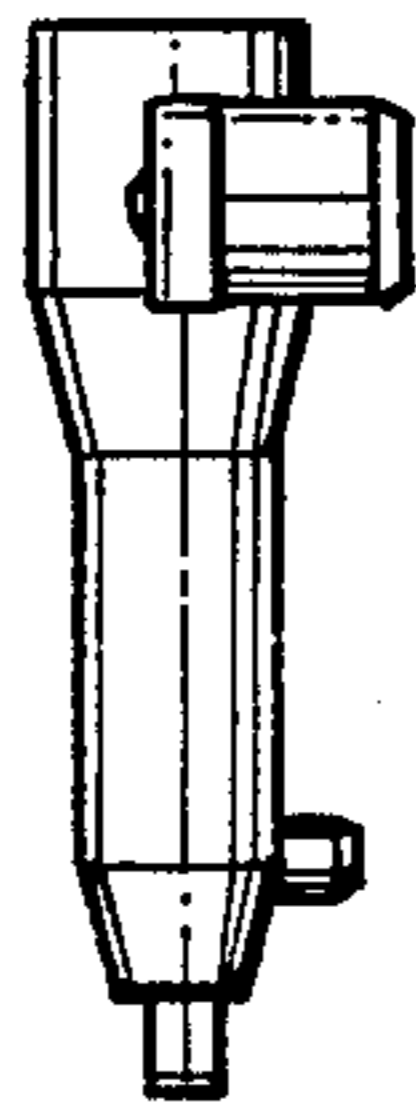


FIG. 4

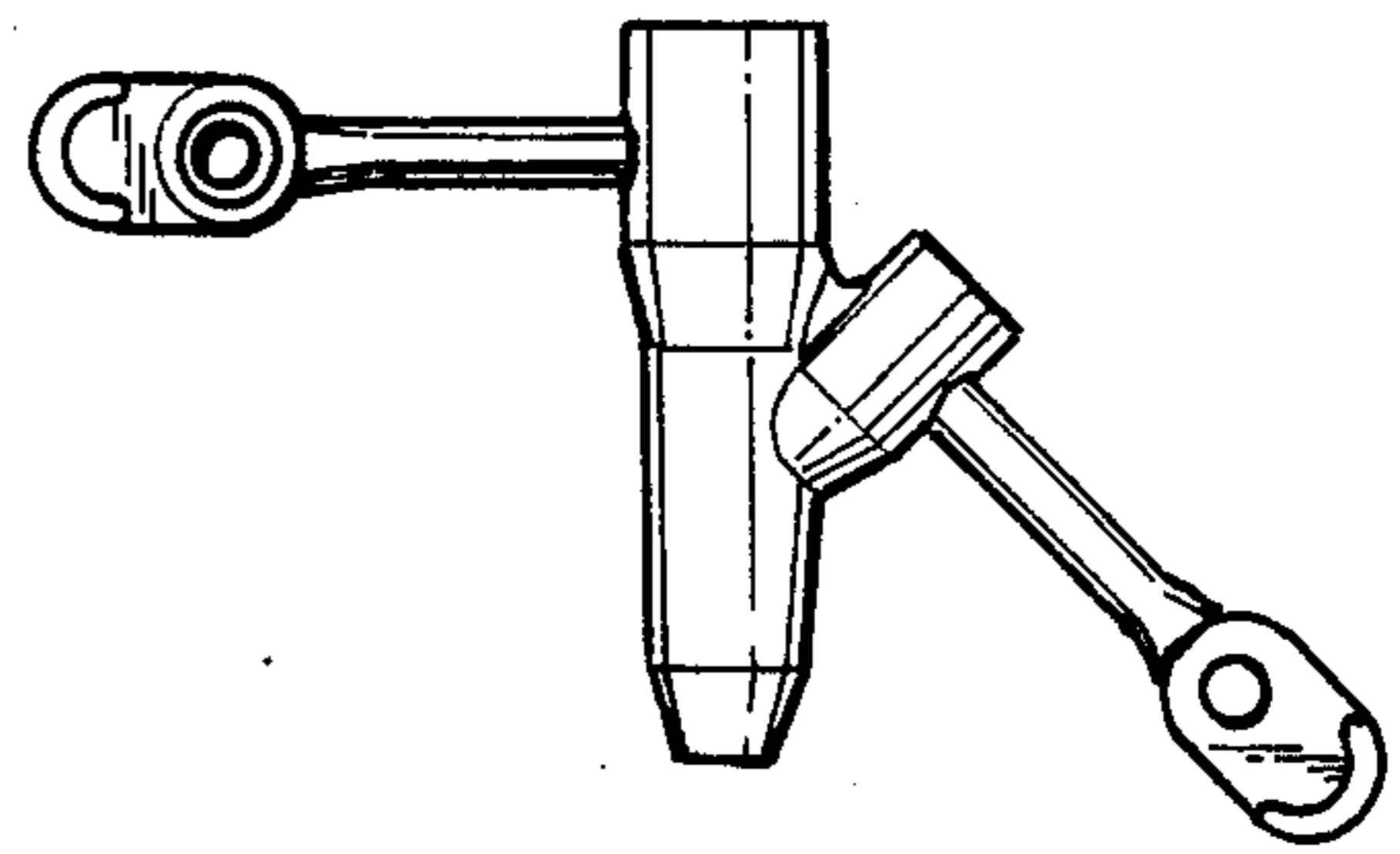


FIG. 1

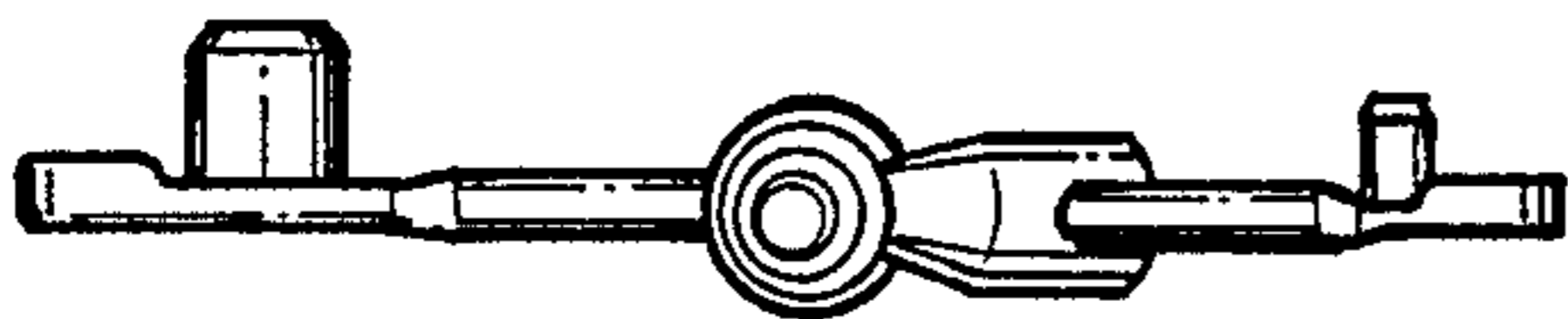


FIG. 5

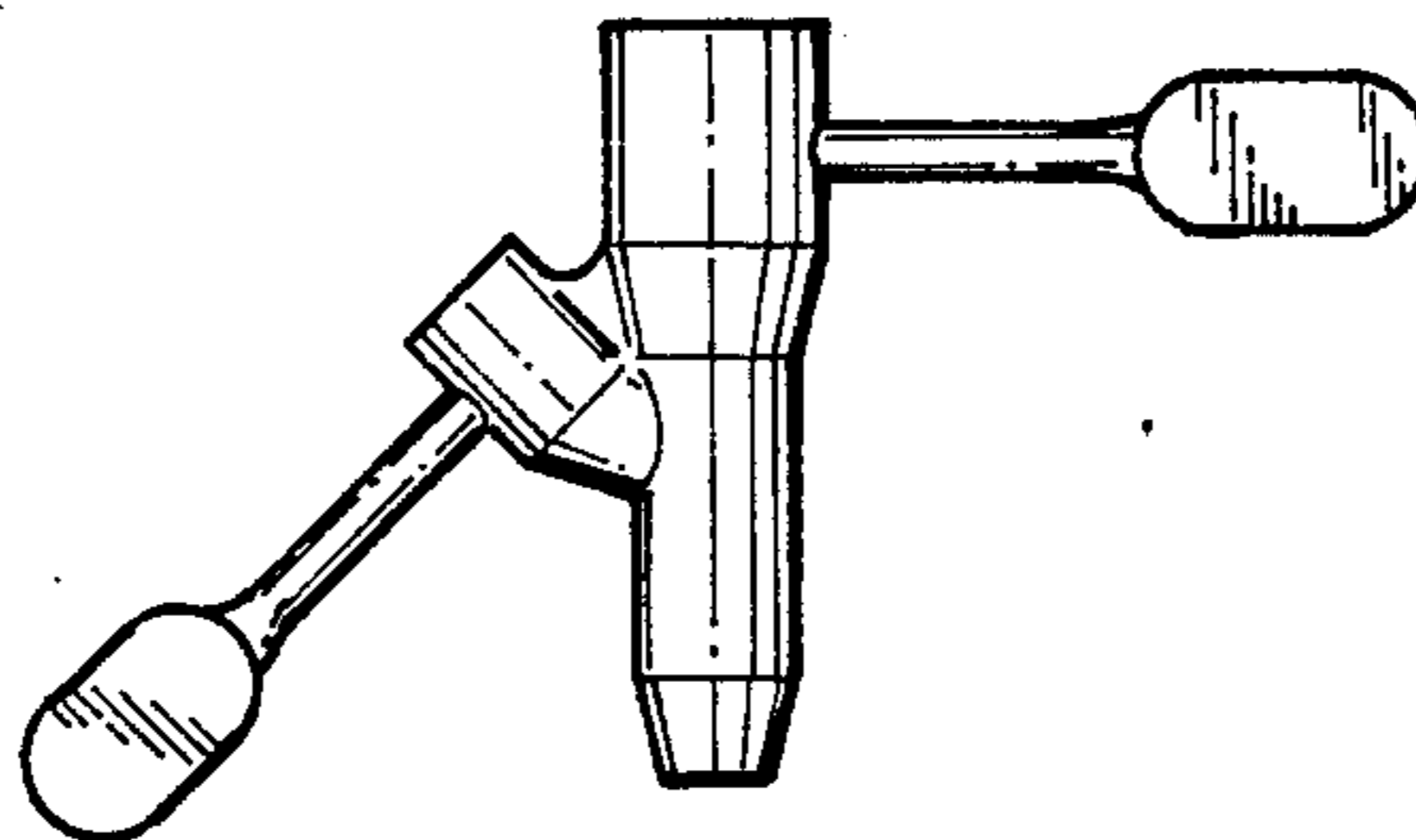


FIG. 6

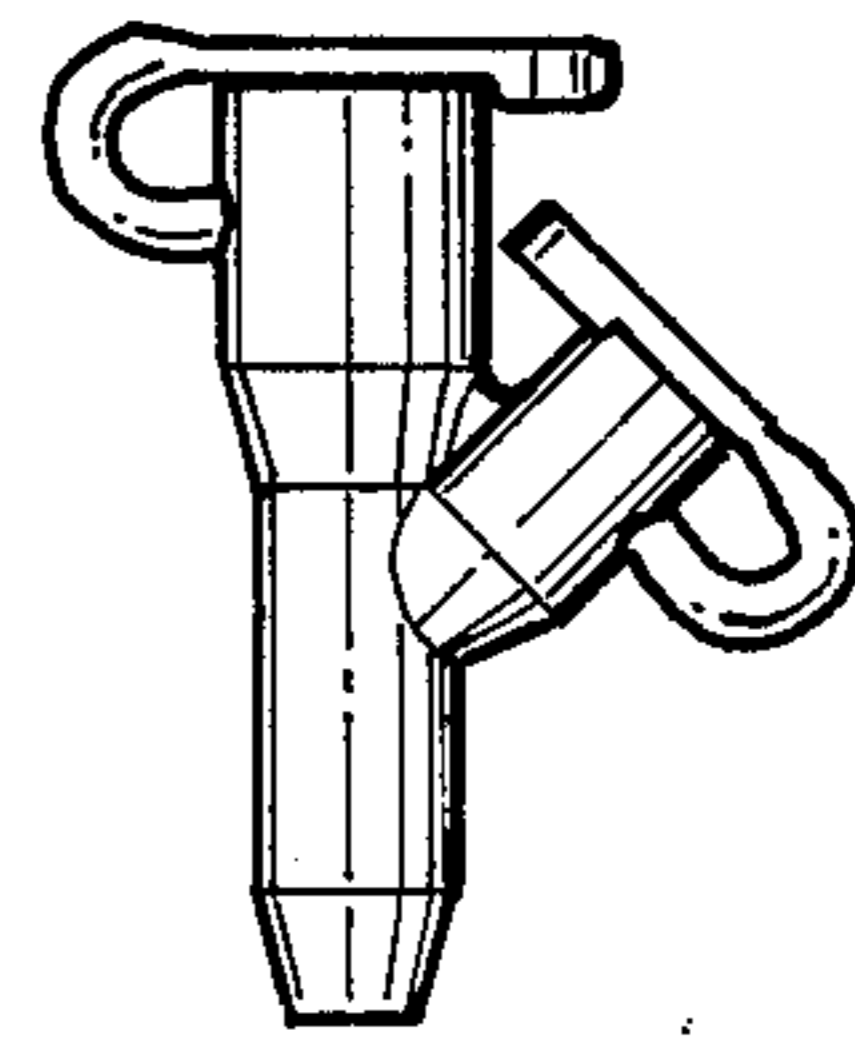


FIG. 7