

[54] WHIRLPOOL BATH TUB

[75] Inventors: **Ralph D'Innocente**, Pittsburg; **Peter K. Pruscha**, Oakley; **Roy A. Jacuzzi**, Moraga, all of Calif.

[73] Assignee: **Jacuzzi Inc.**, Little Rock, Ark.

[**] Term: **14 Years**

[21] Appl. No.: **237,565**

[22] Filed: **Aug. 29, 1988**

[52] U.S. Cl. **D24/38**

[58] Field of Search **D24/38; 4/506, 513, 4/542, 541, 590, 592, 538, 539; D23/277, 280**

[56] **References Cited**

U.S. PATENT DOCUMENTS

D. 226,405	2/1973	Jacuzzi et al.	D83/1 C
D. 237,709	11/1975	Jacuzzi et al.	D24/38
D. 265,922	8/1982	Jasperson	D23/2
D. 286,568	11/1986	Kingsley	D24/38
3,736,924	6/1973	Jacuzzi et al.	128/66
4,586,204	5/1986	Daniels	4/542

OTHER PUBLICATIONS

Americh Corp., "Introducing Our Whirlpool Bathtub Collection", 1984, p. 1.

Jacuzzi Whirlpool Baths, "Jacuzzi Whirlpool Baths", 1985, pp. 6-7 and 10-11.

Primary Examiner—A. Hugo Word

Assistant Examiner—Stella M. Reid

Attorney, Agent, or Firm—Limbach, Limbach & Sutton

[57] **CLAIM**

The ornamental design for a whirlpool bath tub, as shown.

DESCRIPTION

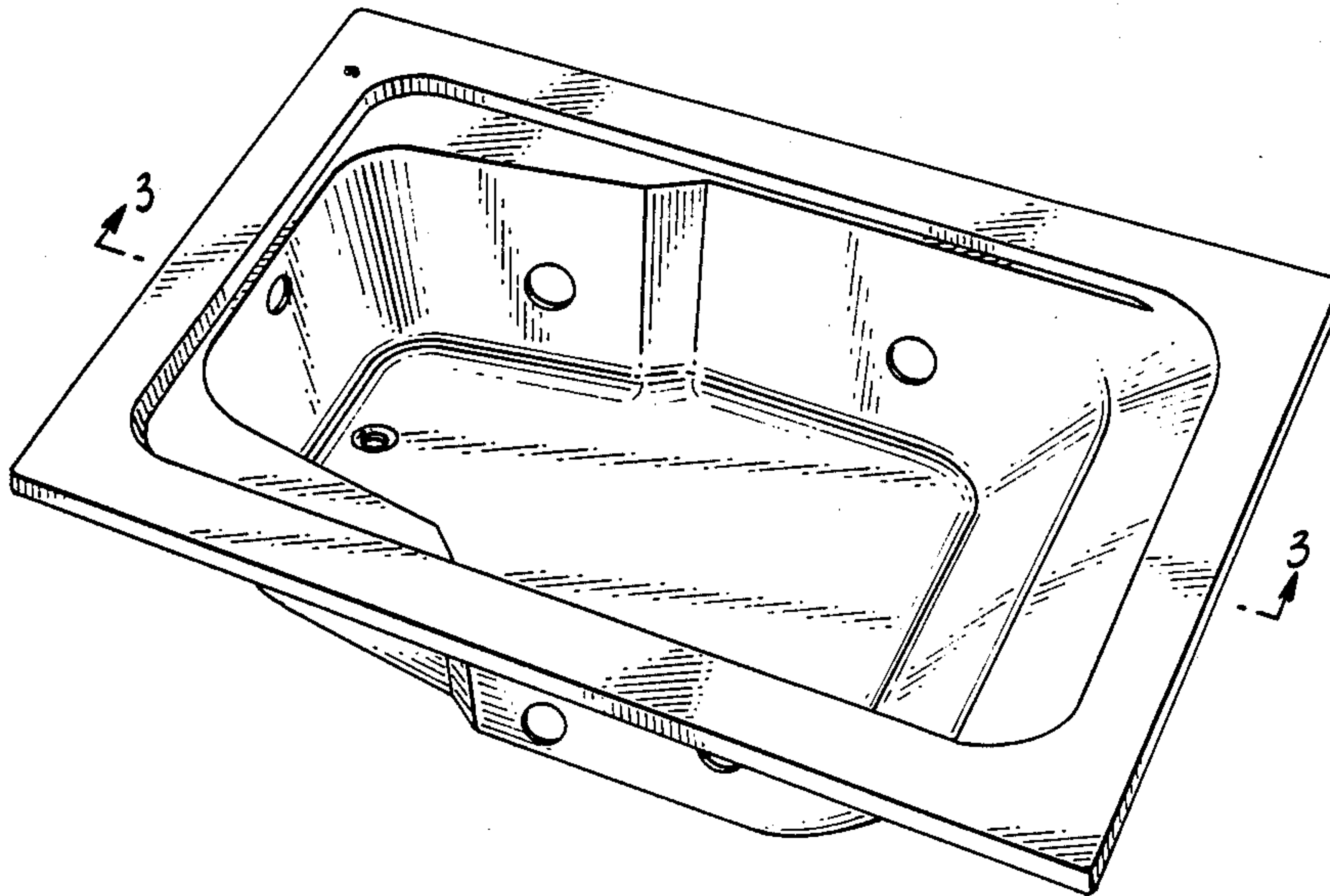
FIG. 1 is a perspective view of a whirlpool bath tub showing our new design;

FIG. 2 is a top plan view thereof;

FIG. 3 is a cross-sectional view, taken on line 3—3 of FIG. 1;

FIG. 4 is a cross-sectional view, taken on line 4—4 of FIG. 3; and,

FIG. 5 is a cross-sectional view, taken on line 5—5 of FIG. 3.



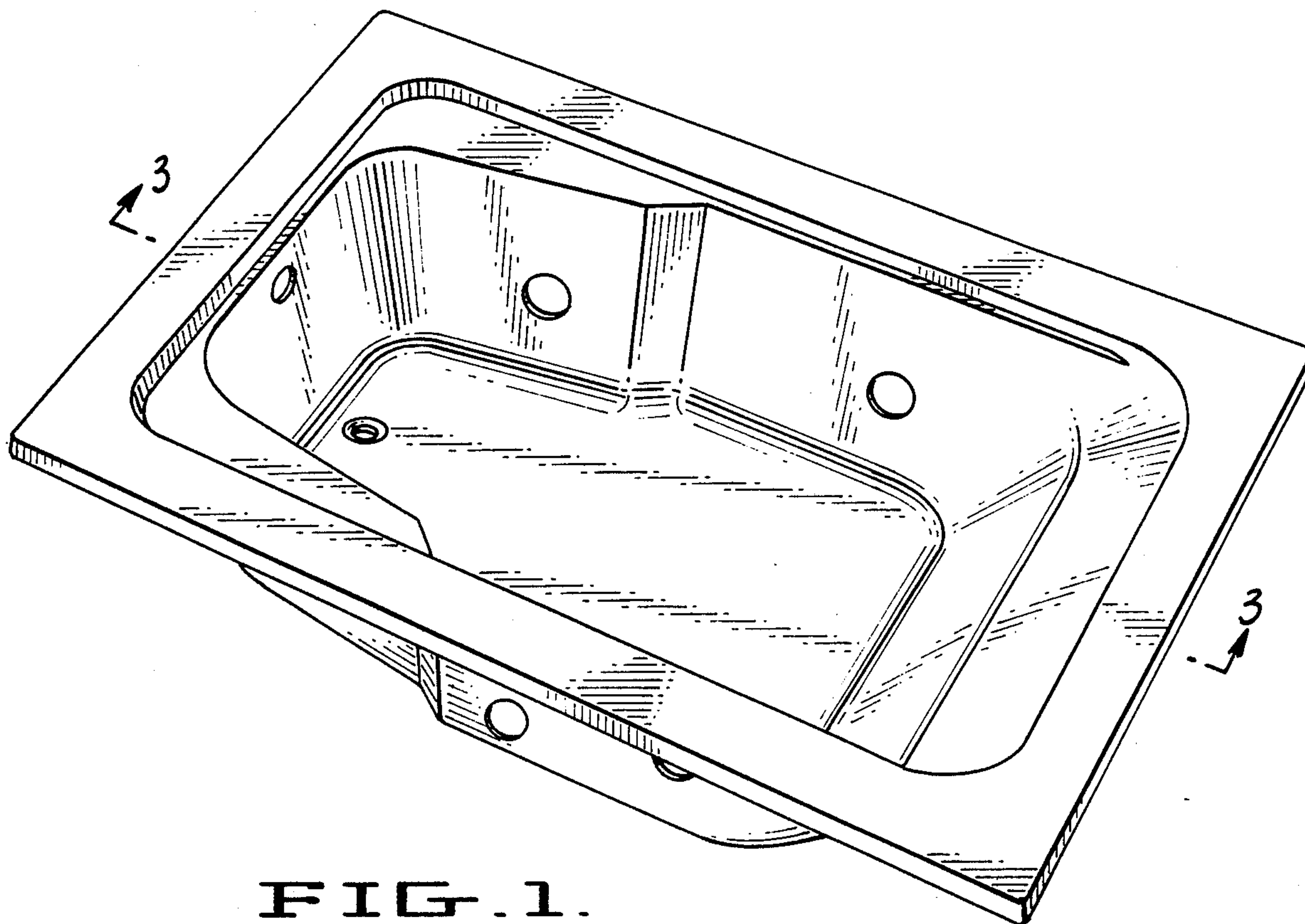


FIG. 1.

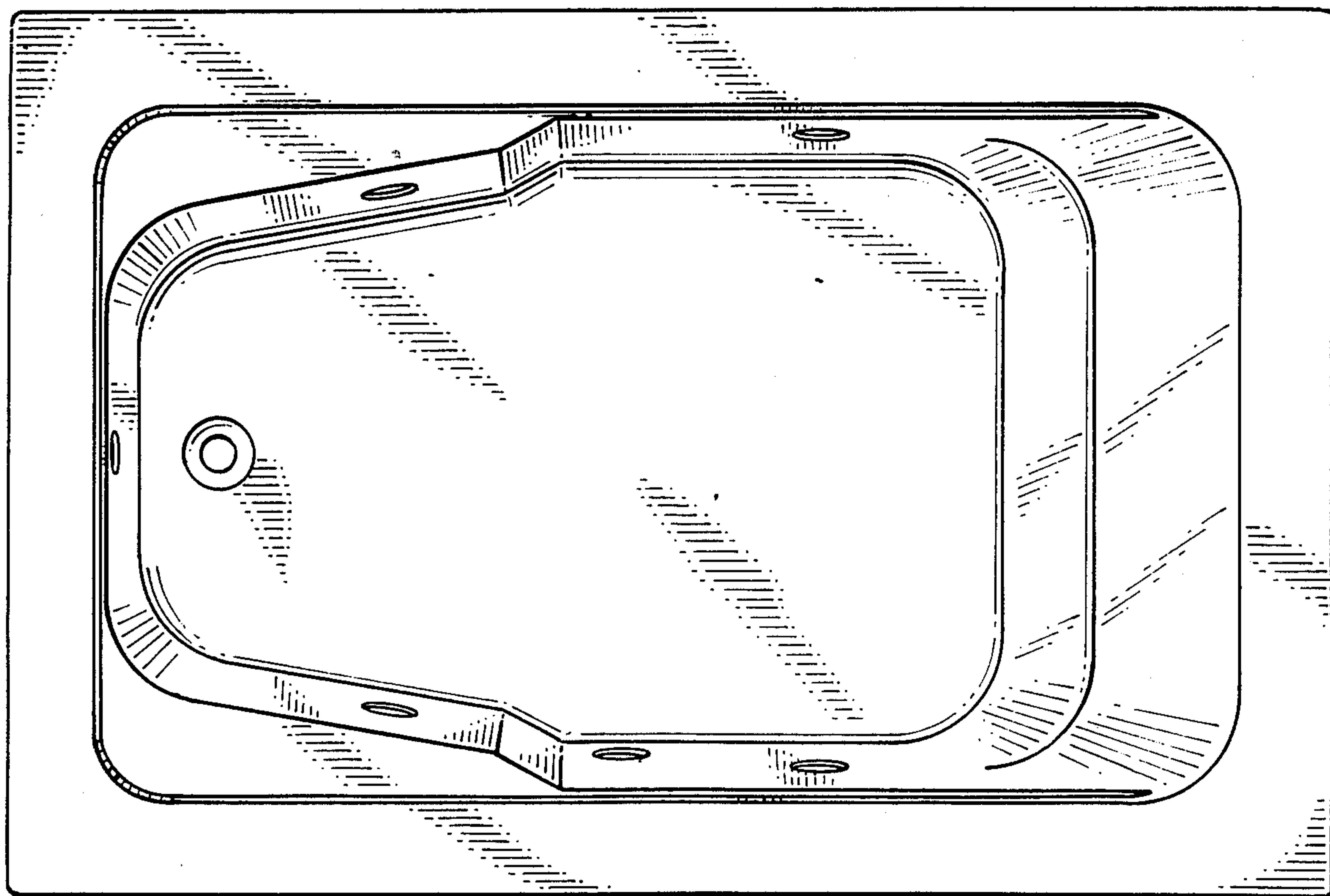


FIG. 2.

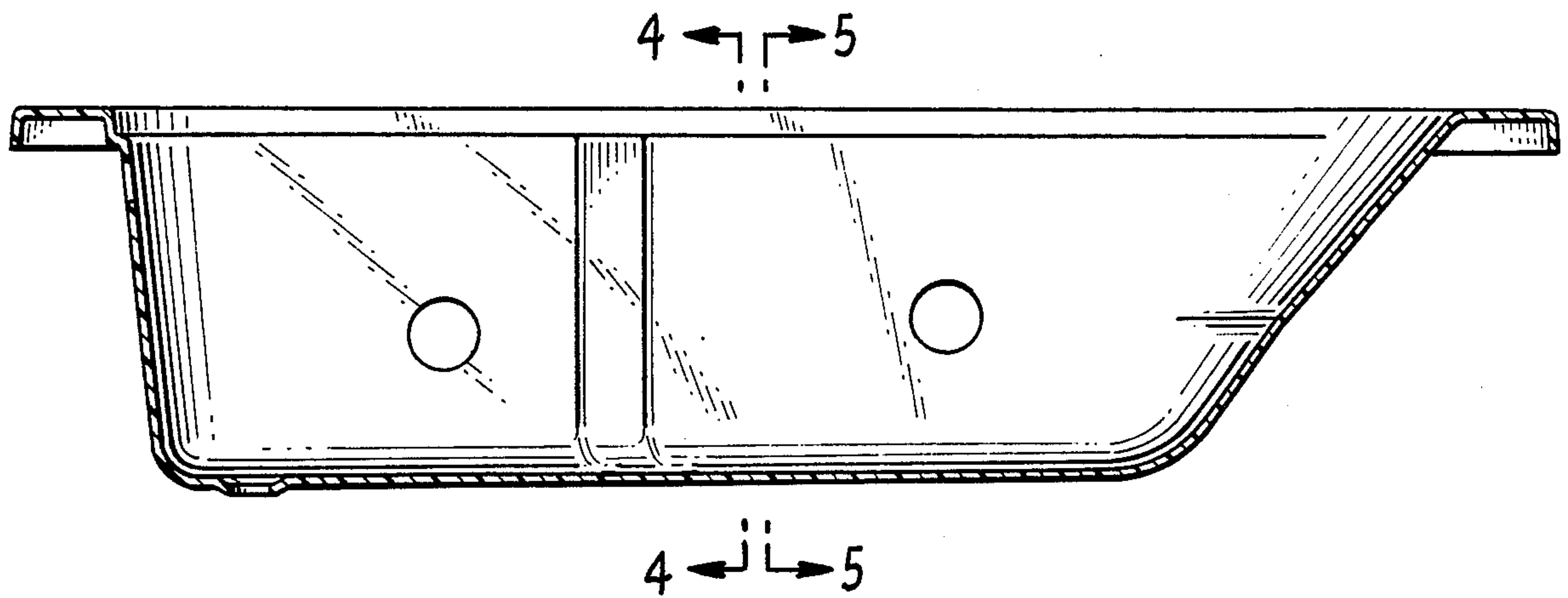


FIG. 3.

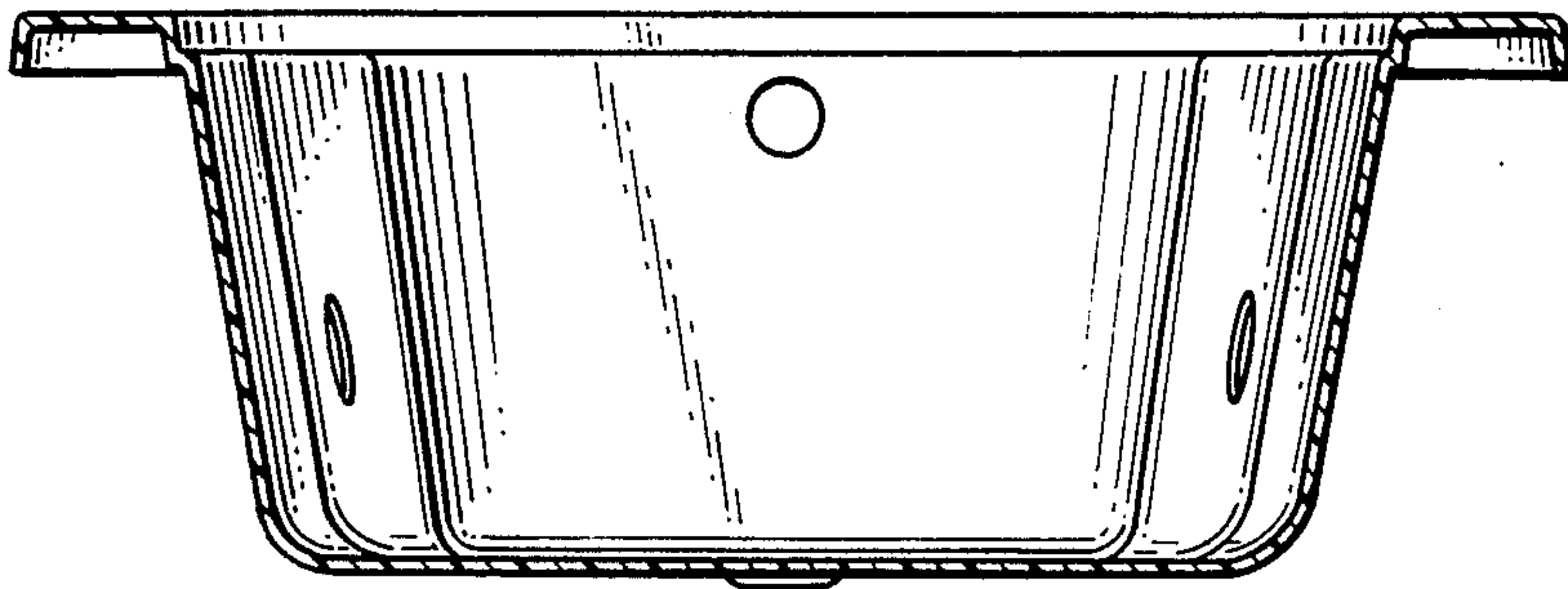


FIG. 4.

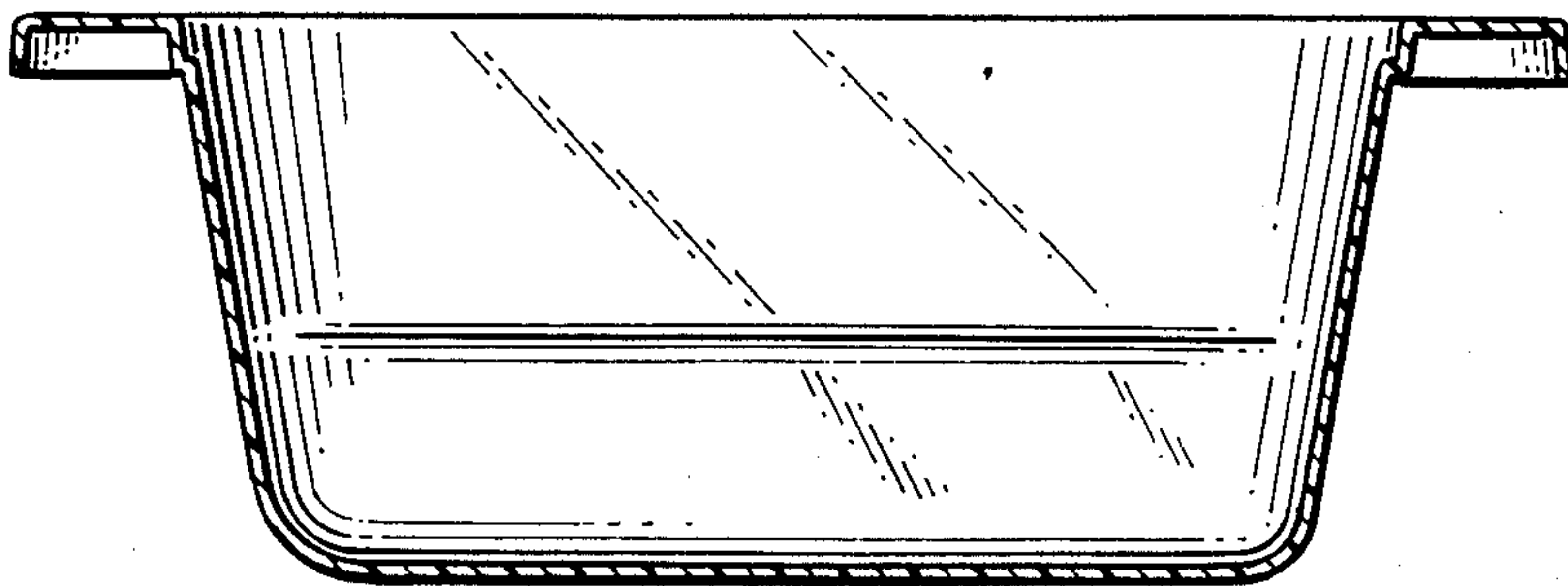


FIG. 5.