

[54] **CHILD'S TRAINING CHAIR**

[76] **Inventors: James M. Kain, 6475 Country Estates Dr., Tipp City, Ohio 45371; Sid Tepper, 24 Edgewood Ter., Millburn, N.J. 07041**

[\*\*] **Term: 14 Years**

[21] **Appl. No.: 264,303**

[22] **Filed: Oct. 27, 1988**

[52] **U.S. Cl. .... D23/296**

[58] **Field of Search ..... D23/296, 297, 311, 312; 4/449, 476, 479, 483, DIG. 5**

[56] **References Cited**

**U.S. PATENT DOCUMENTS**

- D. 157,111 1/1950 Wenkster ..... D23/296
- D. 168,463 12/1952 La Hue ..... D23/296
- D. 197,949 4/1964 Forsman ..... D23/296
- D. 209,568 12/1967 De Castro ..... D23/296
- D. 212,472 10/1968 Von Heek ..... D23/296
- D. 225,224 11/1972 Benjamin ..... D23/296

- D. 231,832 6/1974 Panicci ..... D23/296
- D. 236,205 8/1975 Powell ..... D23/296
- D. 260,423 8/1981 Helkama-Ragard ..... D23/296
- 2,719,305 10/1955 La Hue ..... D23/296 X
- 3,343,179 9/1967 Sellars, Jr. et al. .... D23/296 X

*Primary Examiner*—James R. Largen  
*Attorney, Agent, or Firm*—Donald R. Bahr

[57] **CLAIM**

The ornamental design for a child's training chair, as shown and described.

**DESCRIPTION**

FIG. 1 is a perspective view taken from the top, front and left side of a child's training chair showing our new design;

FIG. 2 is a front elevational view thereof;

FIG. 3 is a right side elevation view thereof;

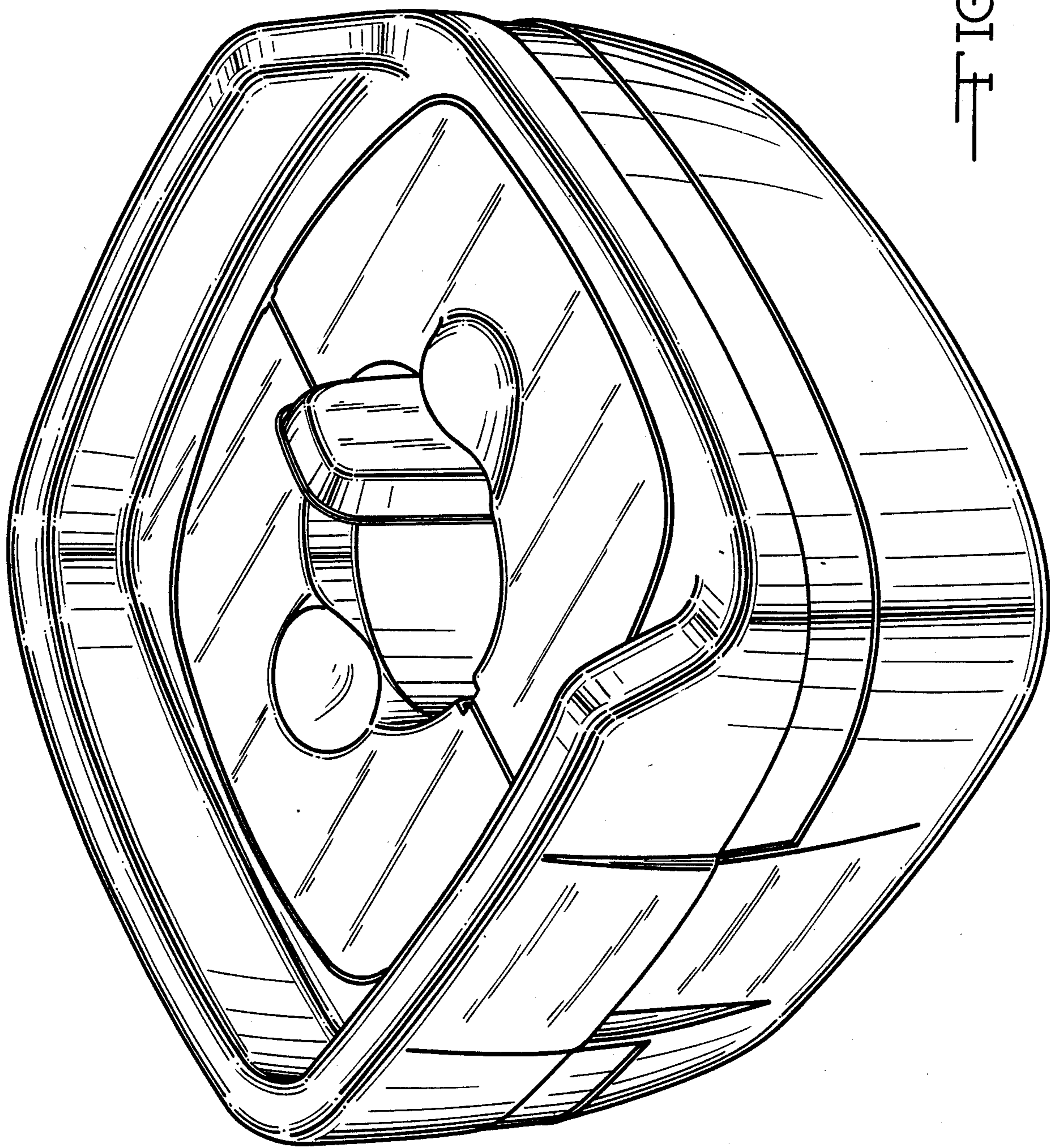
FIG. 4 is a left side elevational view thereof;

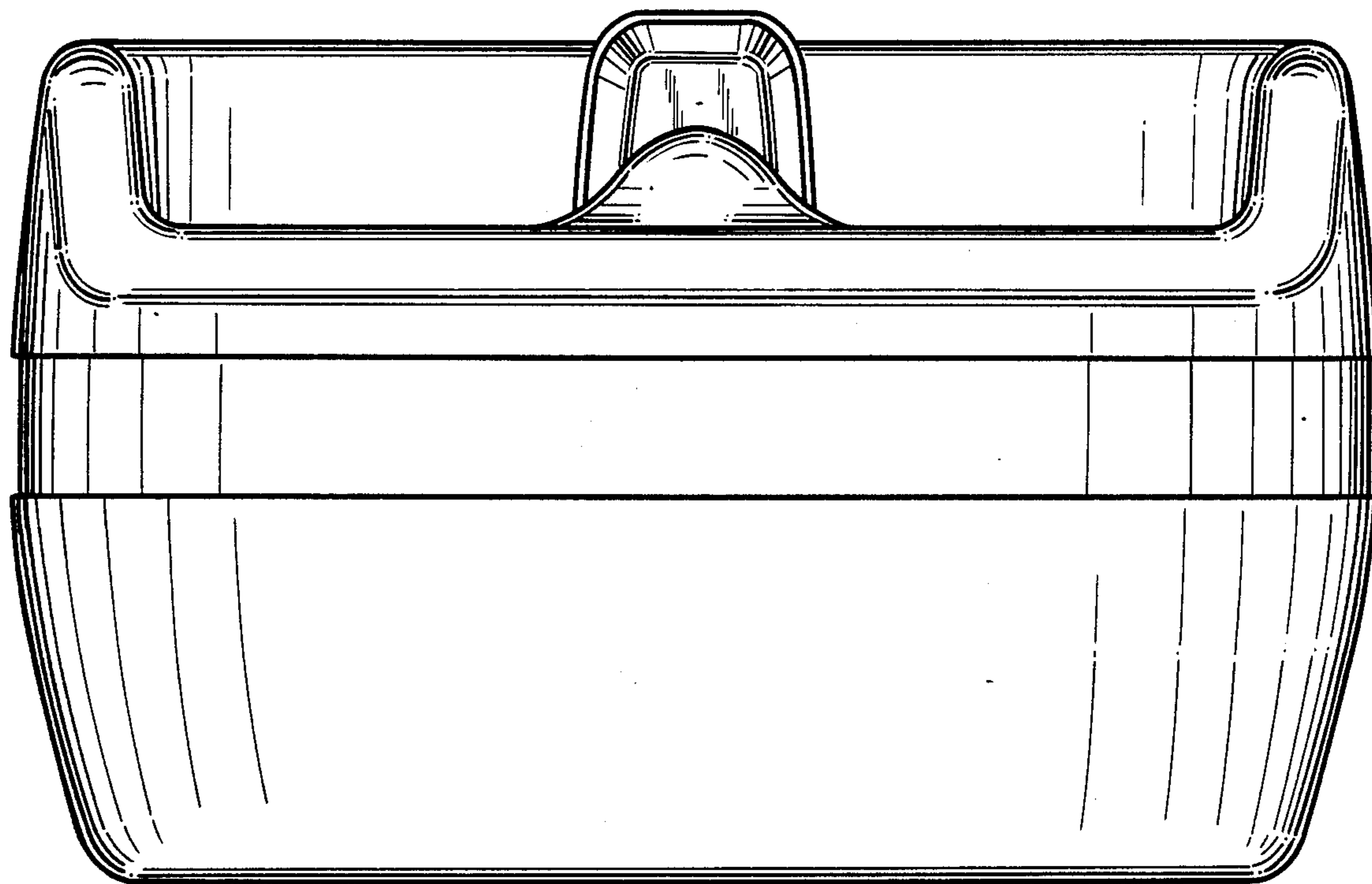
FIG. 5 is a rear elevational view thereof;

FIG. 6 is a top plan view thereof; and

FIG. 7 is a bottom plan view thereof.

FIG. 1





—FIG. 2

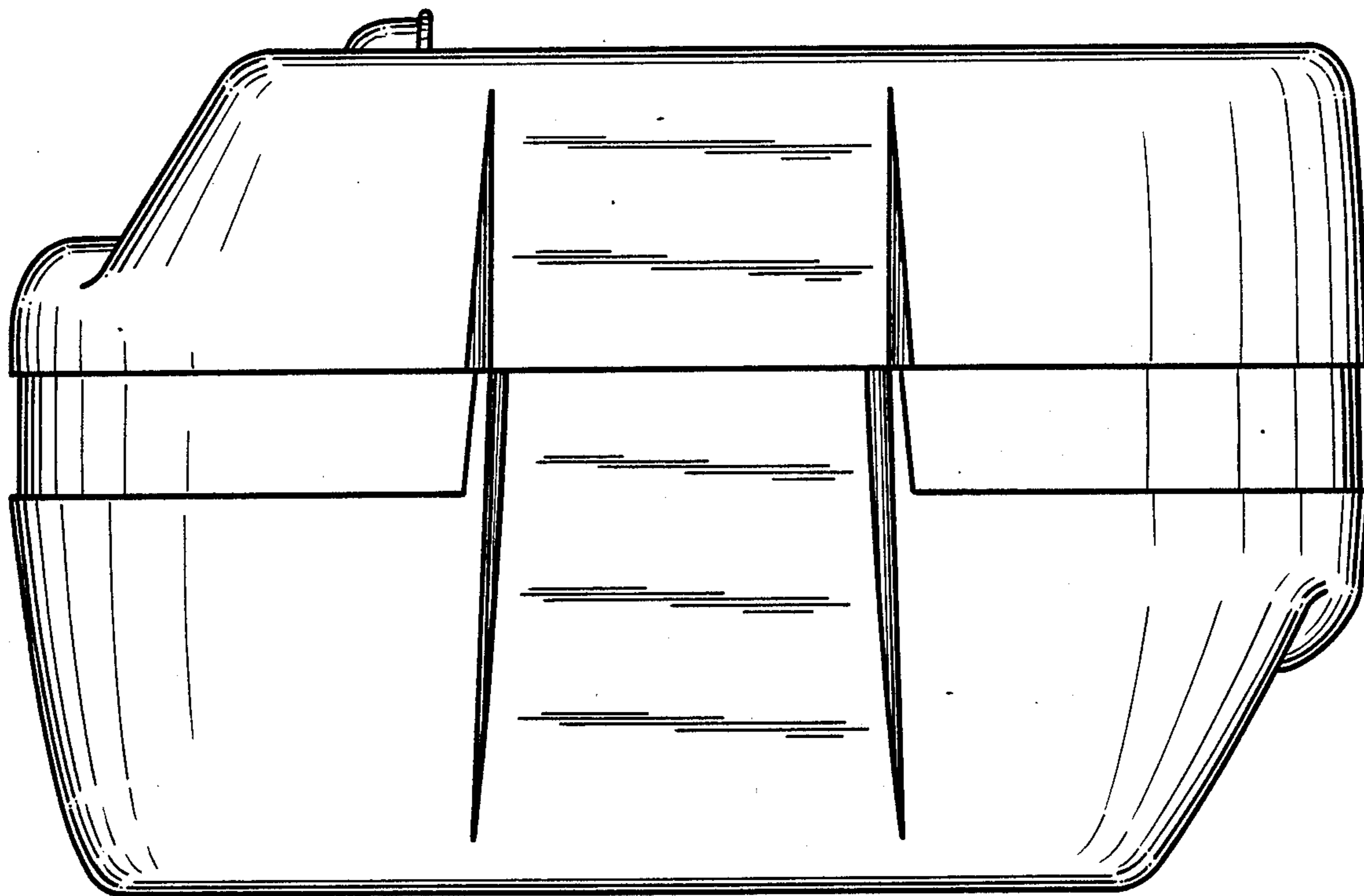
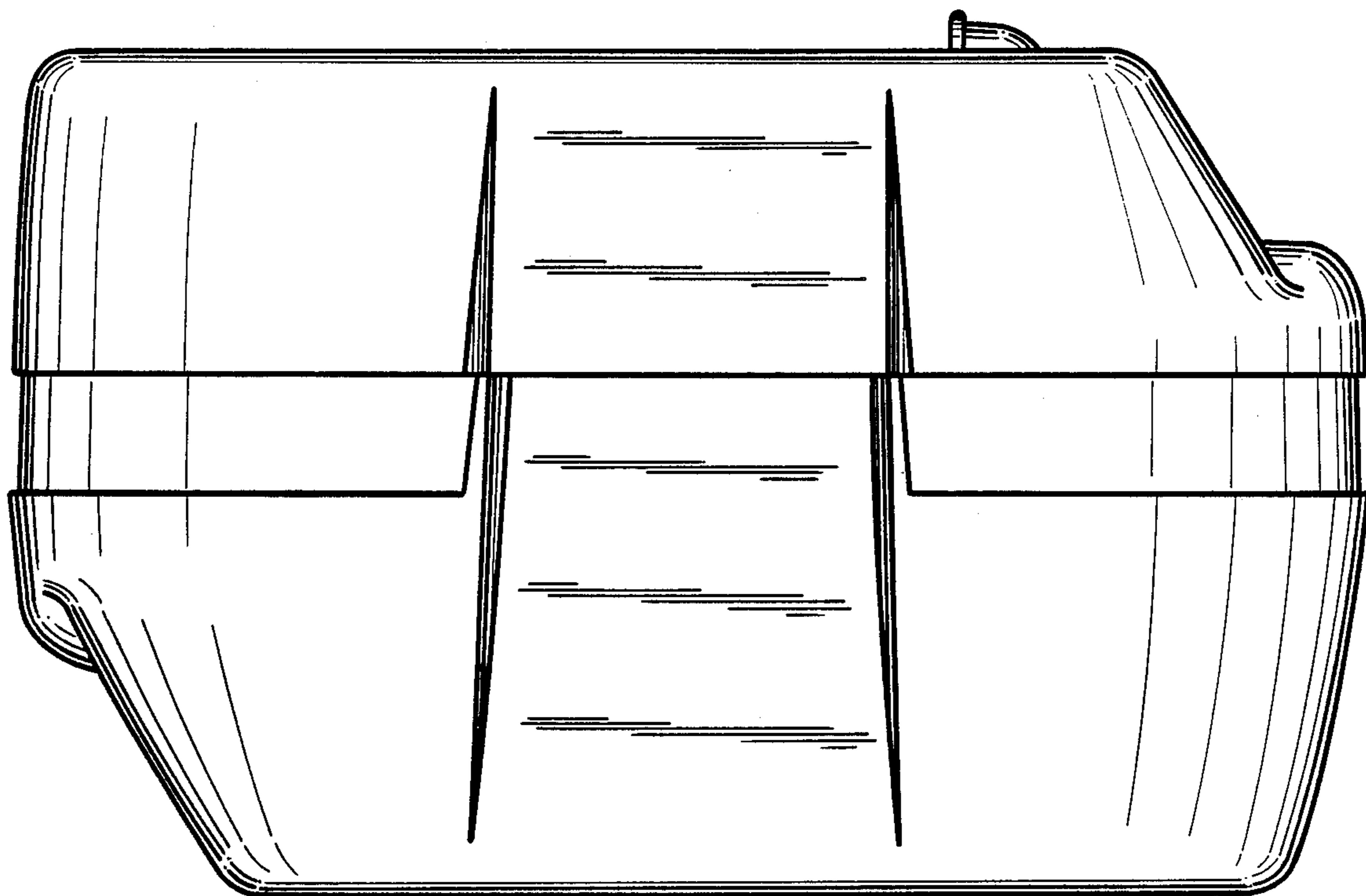
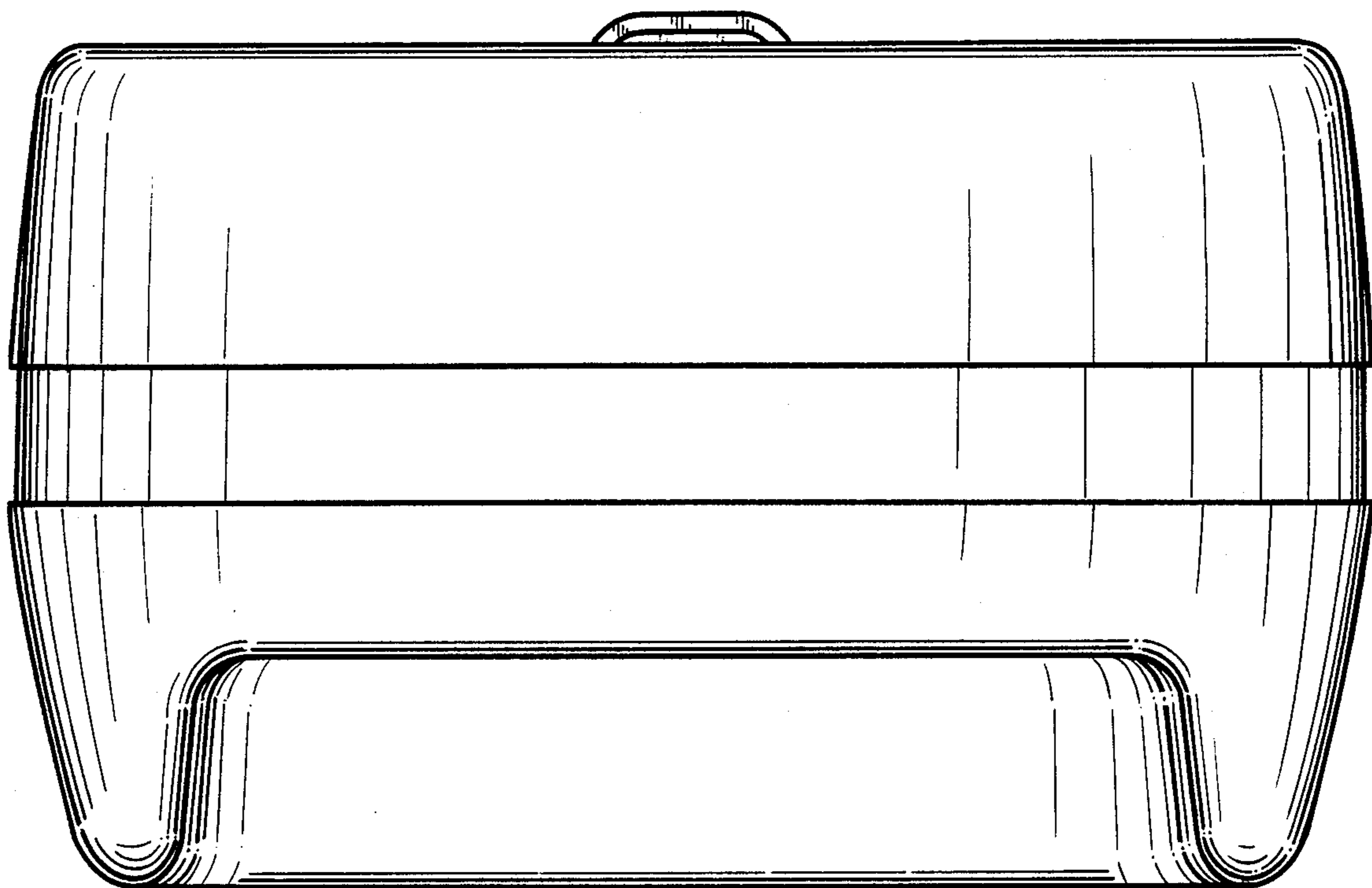


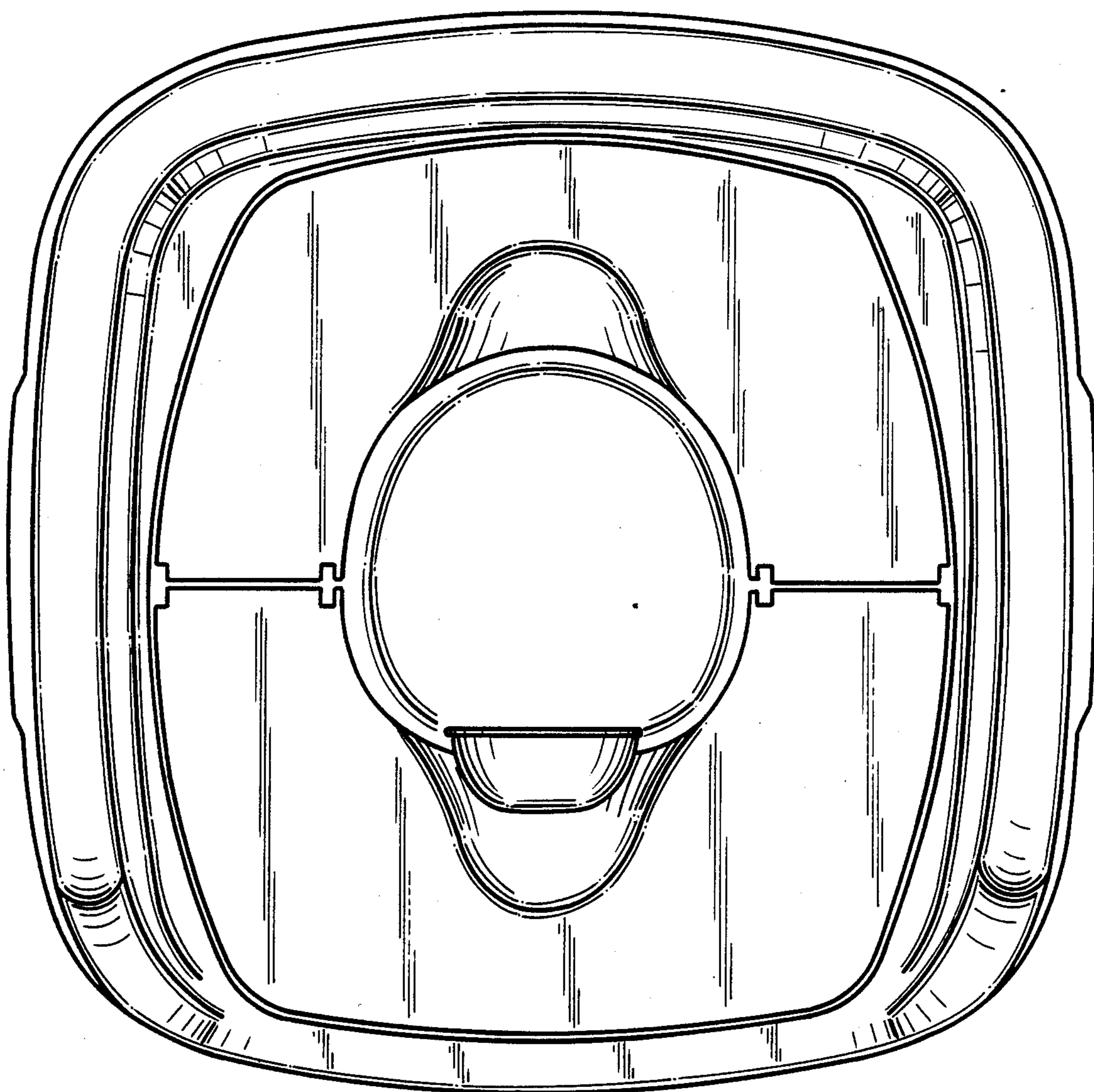
FIG. 3



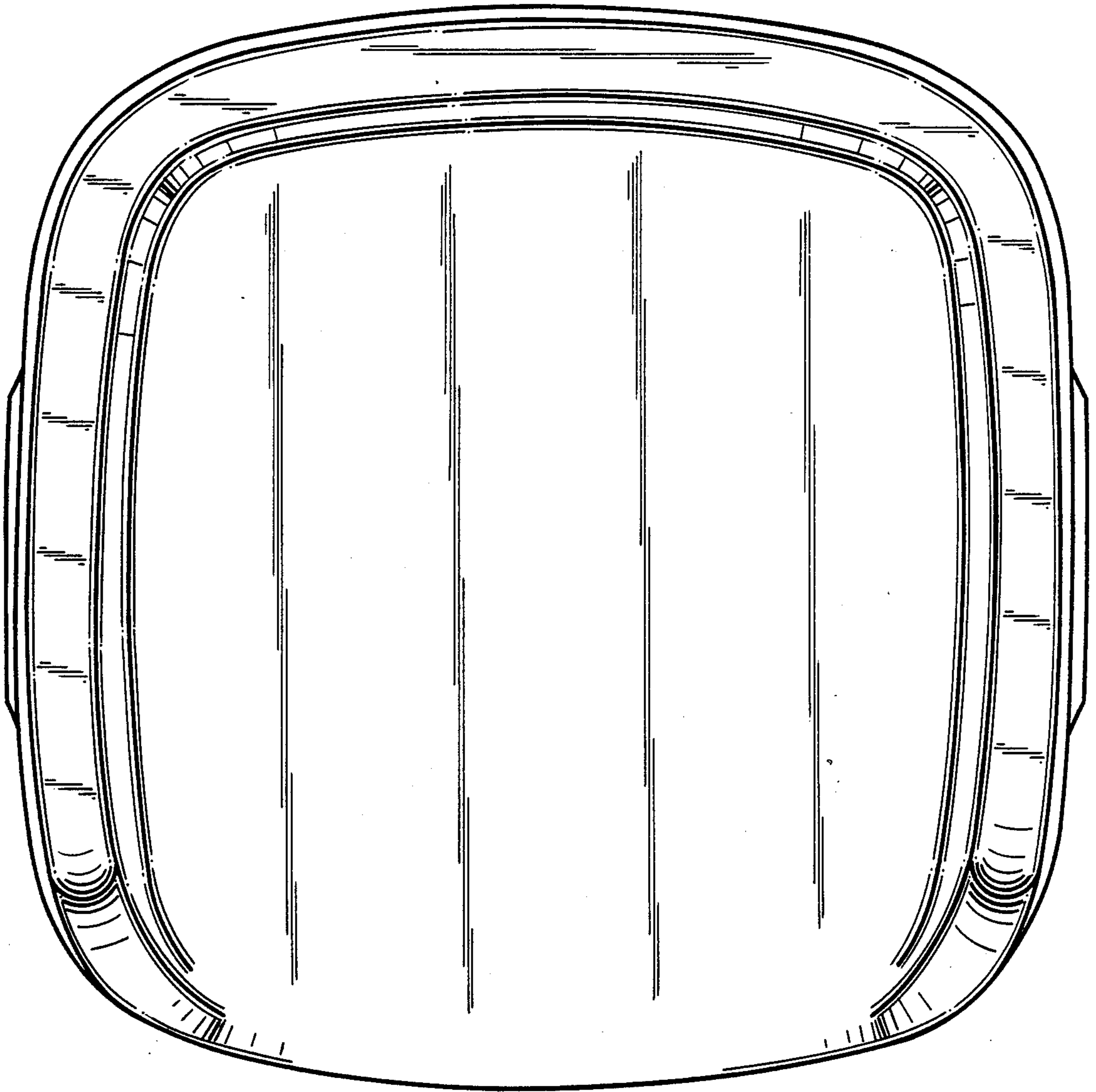
—FIG 4



—FIG. 5



—FIG. 6



—FIG. 7