

[54] COMBINED FILTER, REGULATOR, AND LUBRICATOR FOR THE FLOW OF COMPRESSED AIR

D. 295,674 5/1988 Ogasawara et al. D23/365
4,714,552 12/1987 Tabor 210/488

[75] Inventors: Adriano Albertini, Villa Carcina; Fausto Rodella, Collebeato, both of Italy

[73] Assignee: Metal Work S.p.A., Concesio, Italy

[**] Term: 14 Years

[21] Appl. No.: 20,316

[22] Filed: Feb. 27, 1987

[30] Foreign Application Priority Data

Sep. 19, 1986 [IT] Italy 23148/86[U]

[52] U.S. Cl. D23/365

[58] Field of Search D23/355, 364, 365; 210/488

[56] References Cited

U.S. PATENT DOCUMENTS

- D. 121,574 7/1940 Roselund D23/364
- D. 160,010 9/1950 Peeps D23/364
- D. 234,848 4/1975 Vander Horst D23/364
- D. 293,604 1/1988 Andersson D23/365

OTHER PUBLICATIONS

Black and Decker Advertising Flyer, front side of page, Air Line Package—Air Filter+Air Regulator+Air Lubricator, middle of page.

Primary Examiner—James M. Gandy
Assistant Examiner—Lisa Lichtenstein
Attorney, Agent, or Firm—Finnegan, Henderson, Farabow, Garrett & Dunner

[57] CLAIM

The ornamental design for combined filter, regulator, and lubricator for the flow of compressed air, as shown and described.

DESCRIPTION

FIG. 1 is a side elevation view of a combined filter, regulator, and lubricator for the flow of compressed air, showing our new design, the opposite side being a mirror image of that shown; FIG. 2 is a top plan view thereof; FIG. 3 is a bottom plan view thereof; FIG. 4 is a right end elevation view thereof; and FIG. 5 is a left end elevation view thereof.

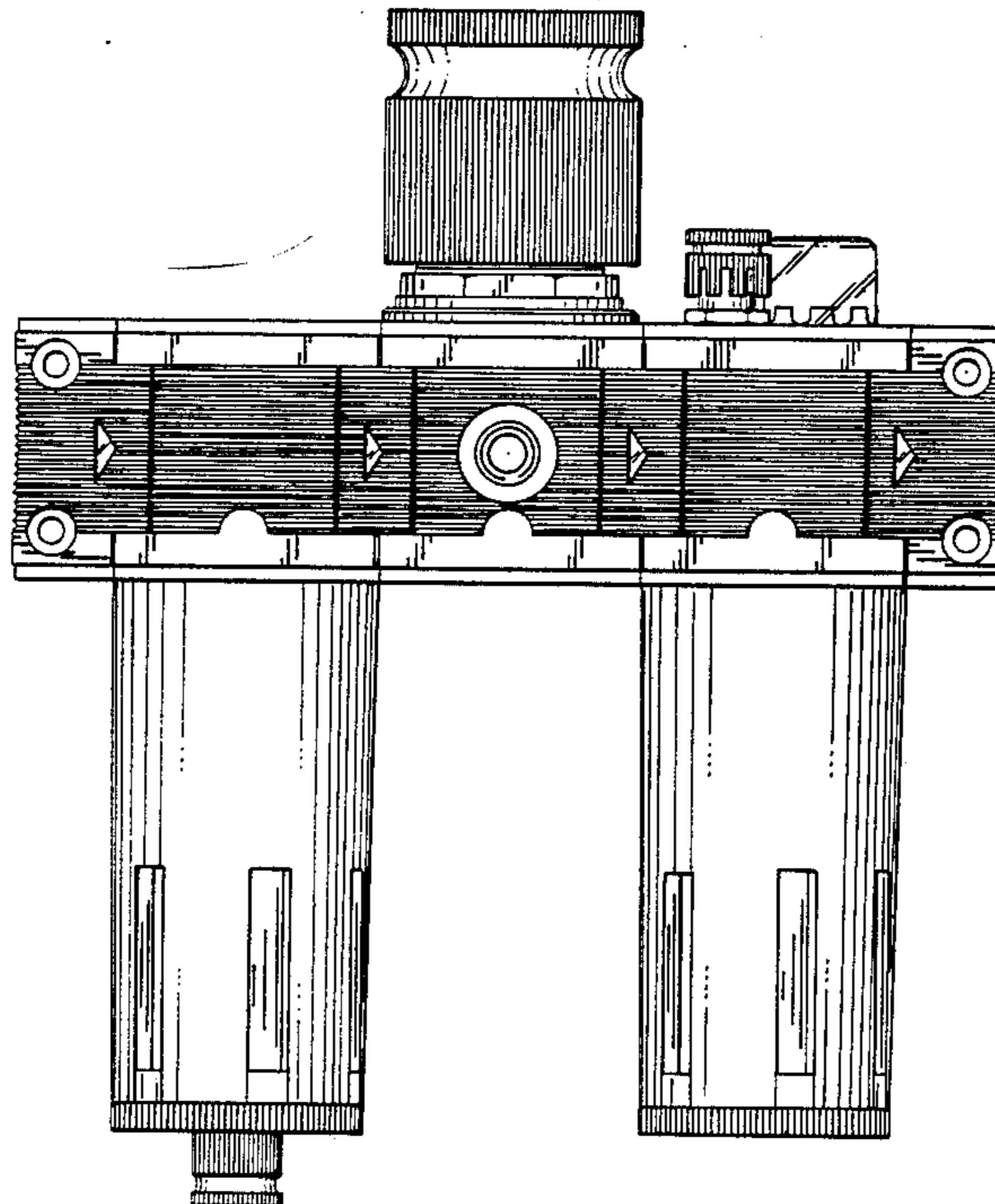


Fig.1

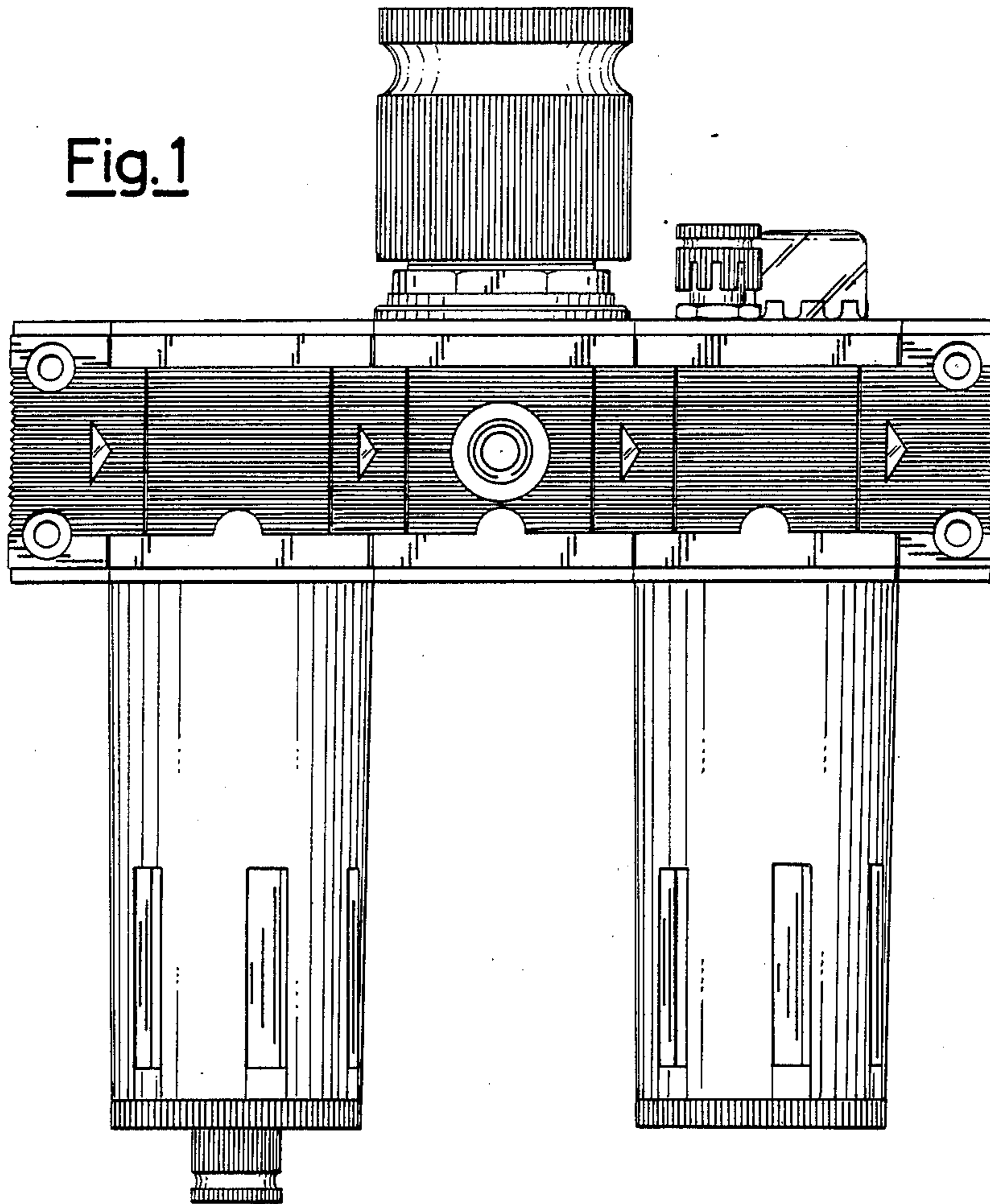


Fig.2

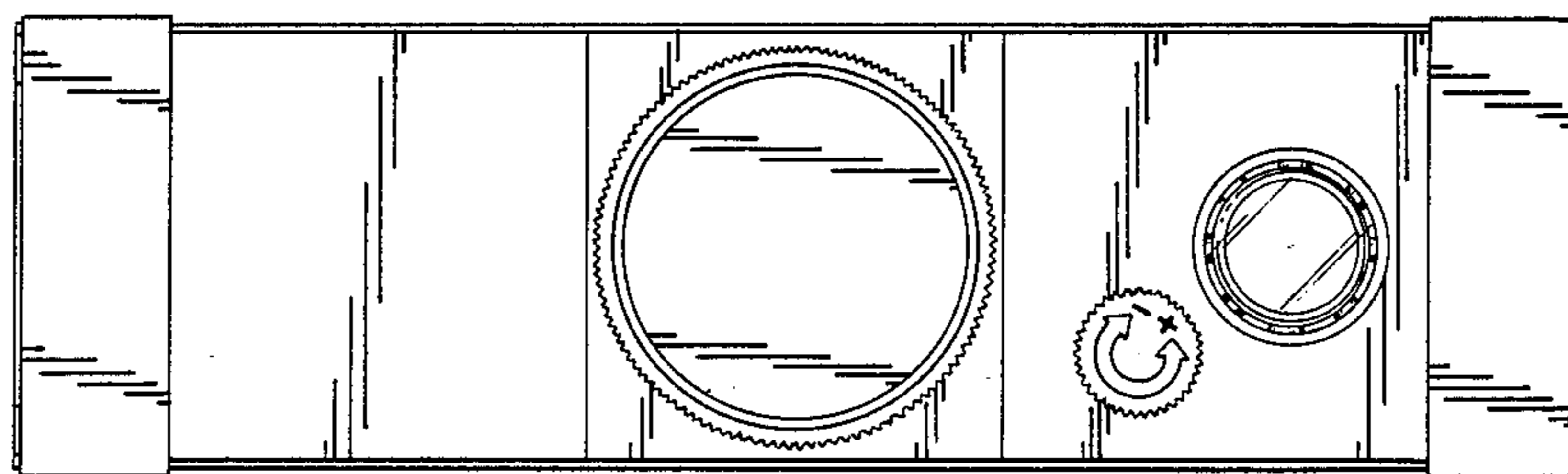


Fig. 3

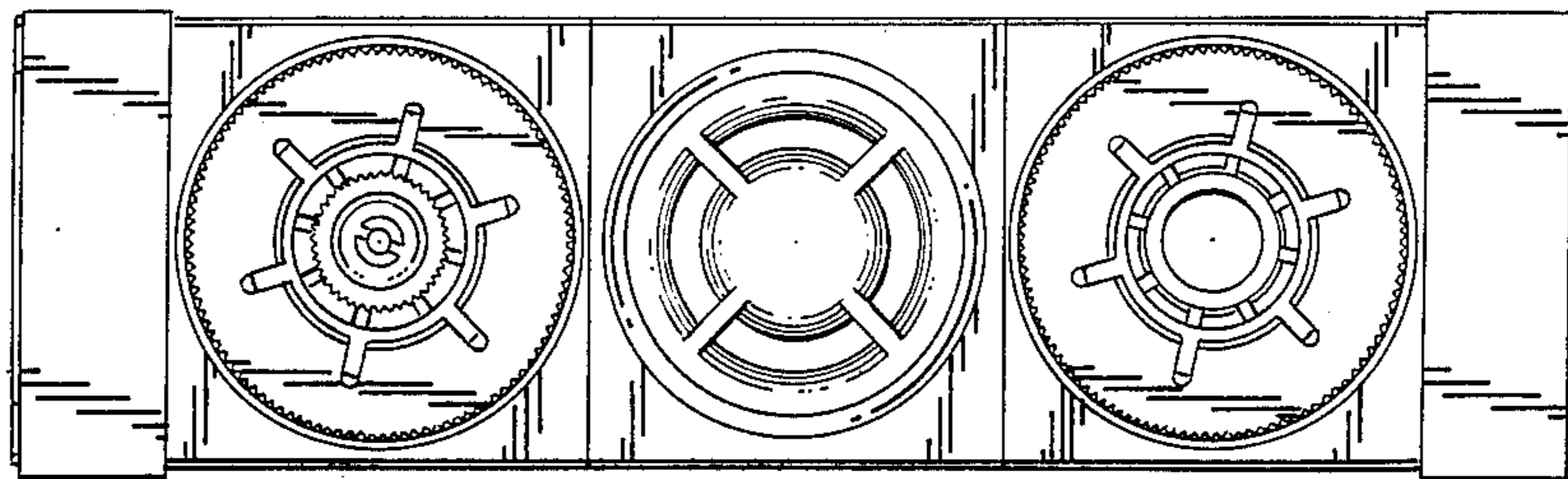


Fig. 5

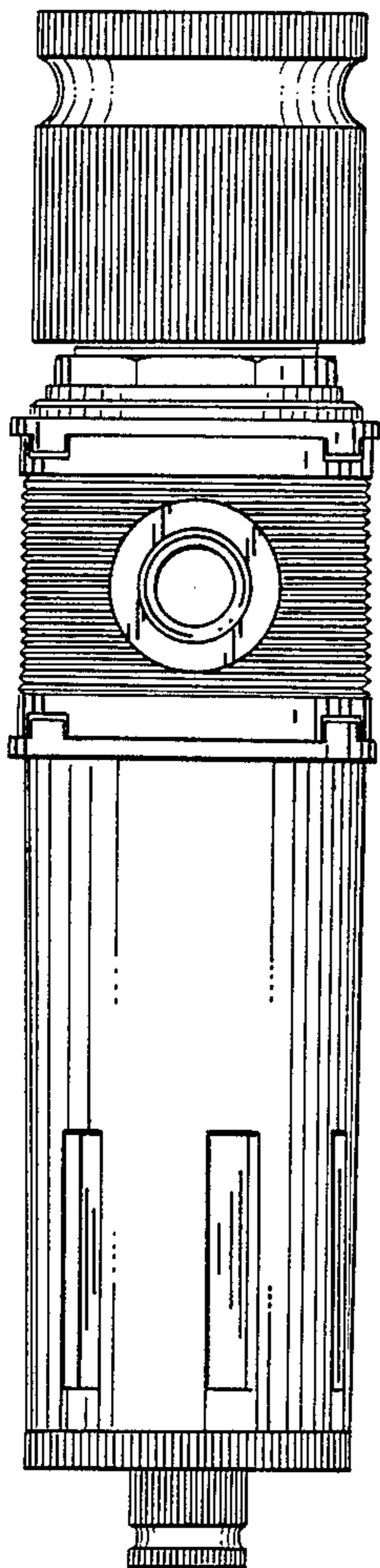


Fig. 4

