

[54] MODULAR GRILL FOR AIR CONDITIONING UNITS

[76] Inventor: Israel Twito, 20 Weitzman Street, Herzlia, Israel

[**] Term: 14 Years

[21] Appl. No.: 39,481

[22] Filed: Apr. 17, 1987

[52] U.S. Cl. D23/354

[58] Field of Search D23/351, 352, 353, 333, D23/411, 412, 354; 415/208.1, 119; 416/247 R; 62/DIG. 16; 98/40.2, 39.1, 94.2, 121.1

[56] References Cited

U.S. PATENT DOCUMENTS

D. 171,238	12/1953	Trometer	D23/354
D. 177,645	5/1956	Schumb	D23/411
4,203,302	5/1980	Lapeyre	62/DIG. 16
4,341,151	7/1982	Sakamoto	416/247 R
4,576,331	3/1986	Harwell	98/39.1

FOREIGN PATENT DOCUMENTS

487982	11/1952	Canada	98/40.2
135792	10/1981	Japan	416/247 R

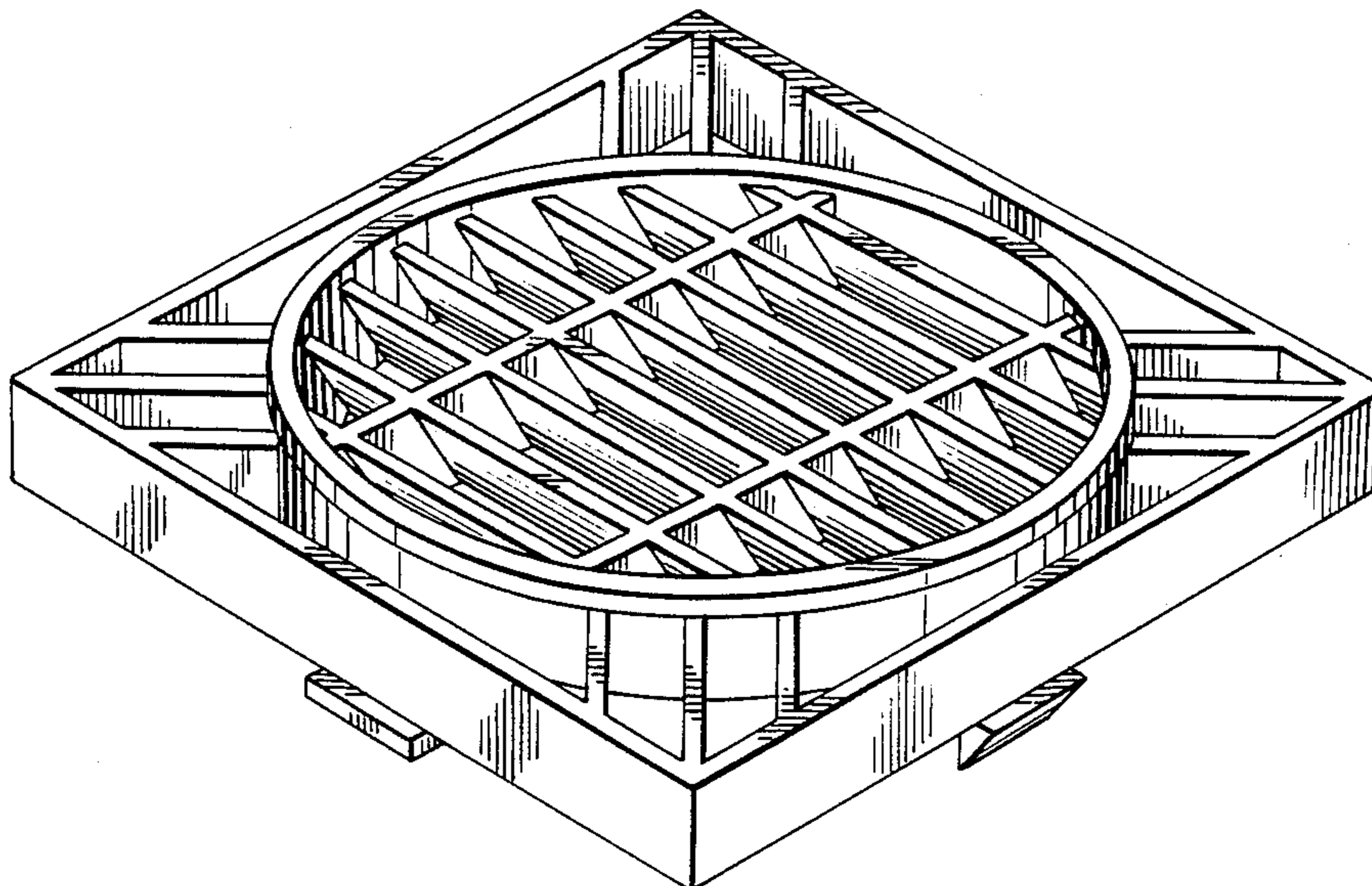
Primary Examiner—James M. Gandy
Assistant Examiner—Lisa Lichtenstein
Attorney, Agent, or Firm—Fleit, Jacobson, Cohn, Price, Holman & Stern

[57] CLAIM

The ornamental design for a modular grill for air conditioning units, as shown and described.

DESCRIPTION

FIG. 1 is a top perspective view of a modular grill for air conditioning units showing my new design; FIG. 2 is a top plan view thereof; FIG. 3 is a right side elevation view thereof, the left side being a mirror image of that shown; FIG. 4 is a bottom plan view thereof; and FIG. 5 is a front elevation view thereof, the rear being a mirror image of that shown.



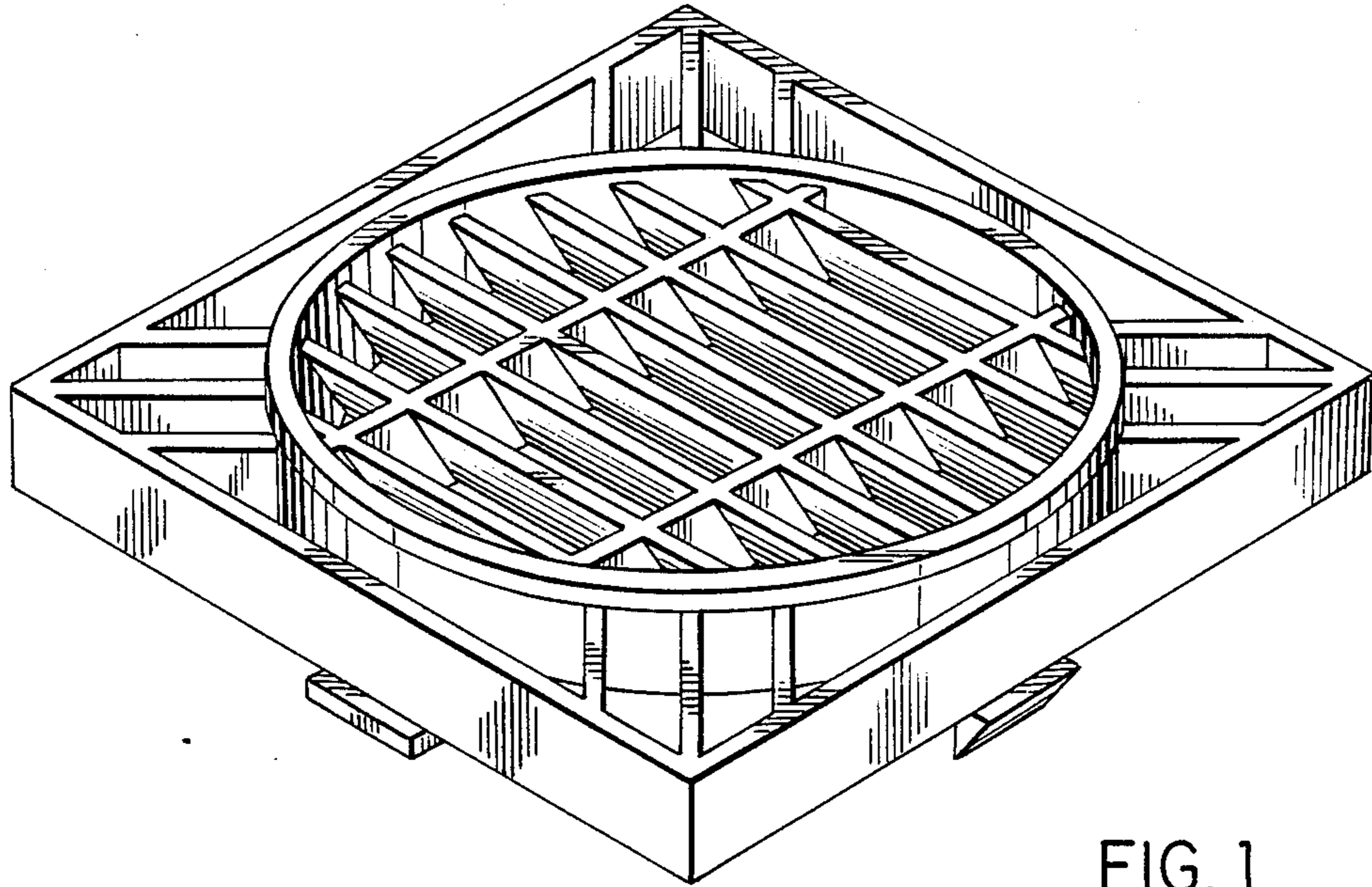


FIG. 1

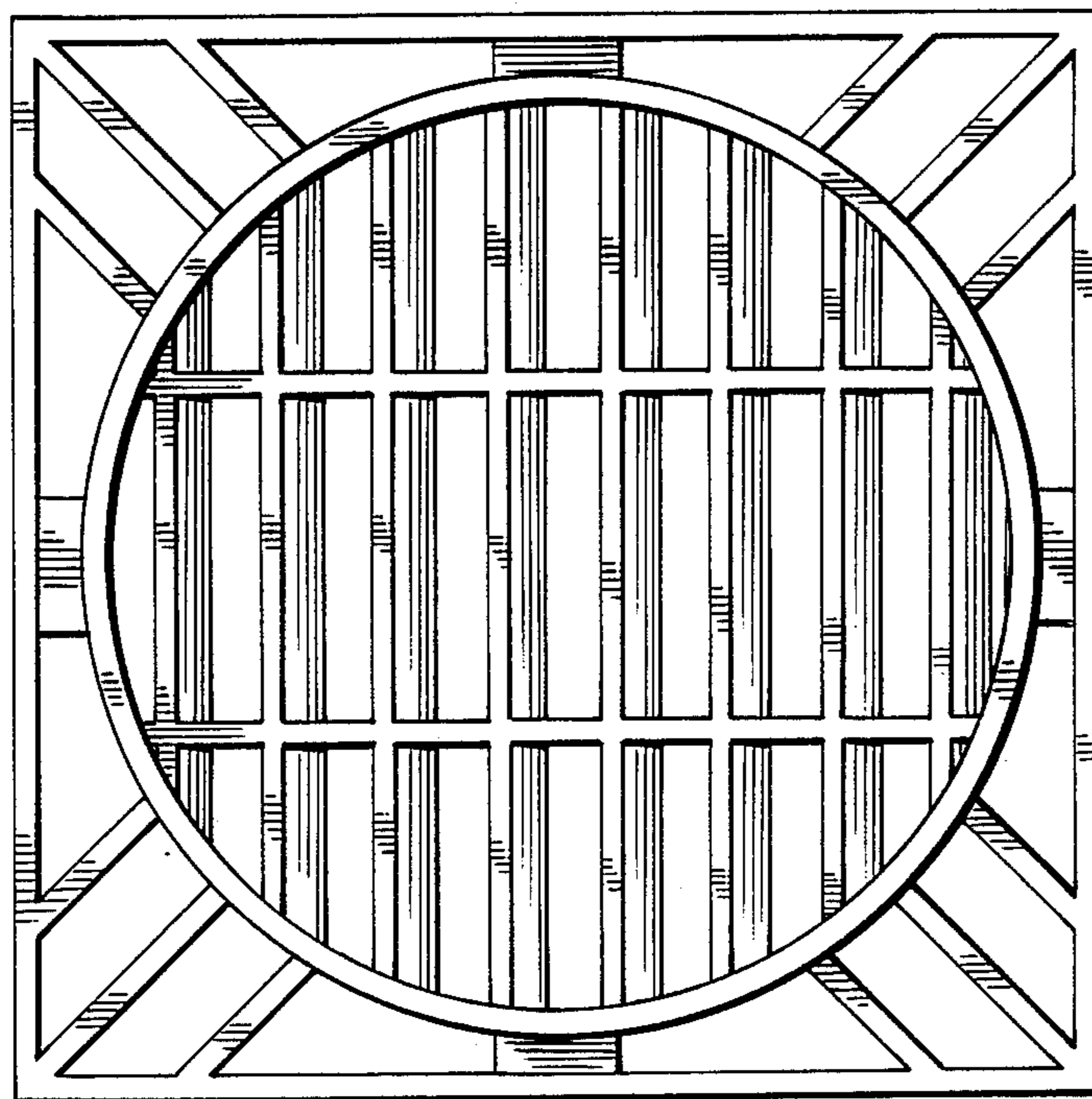


FIG. 2



FIG. 3

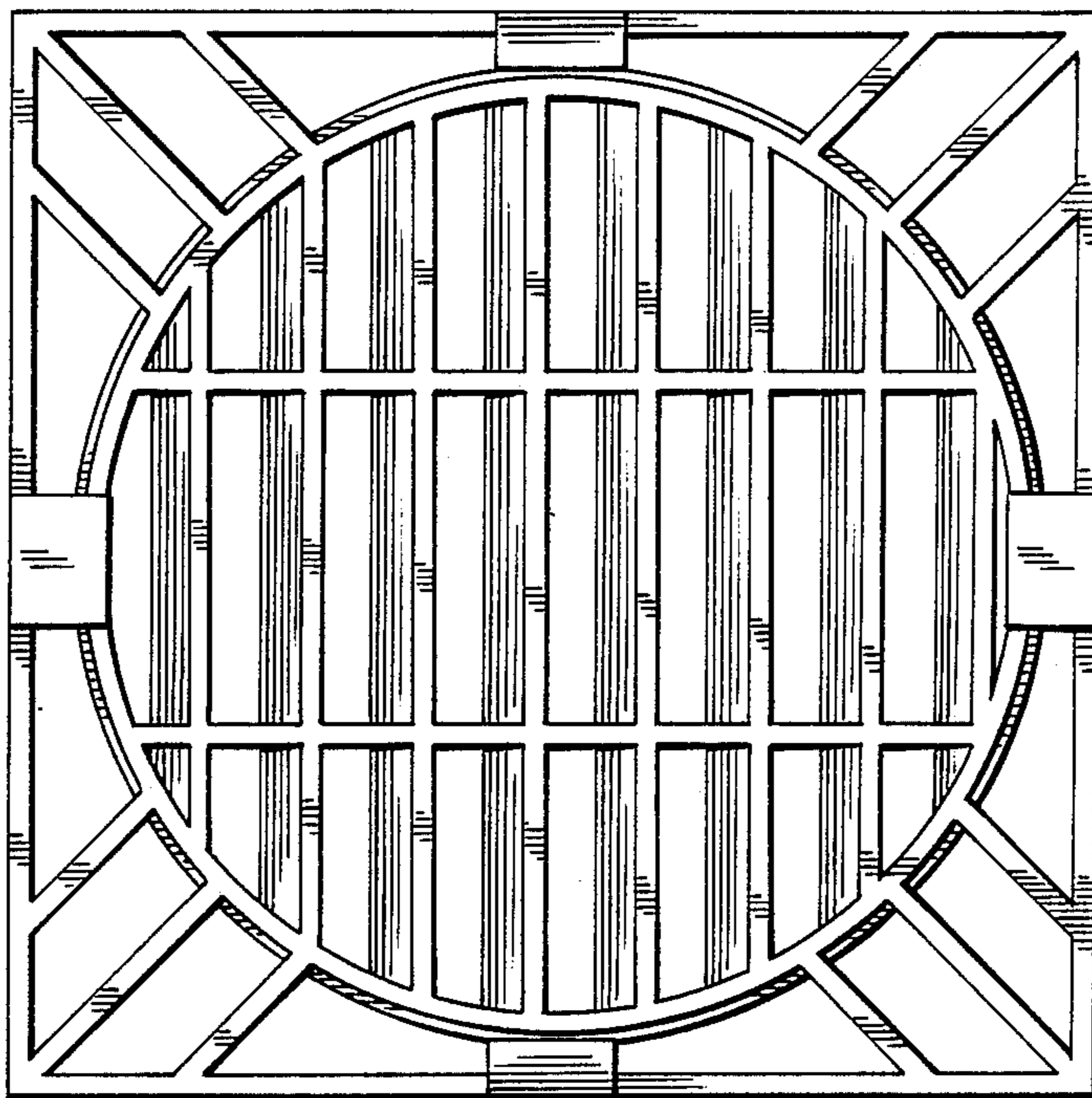


FIG. 4

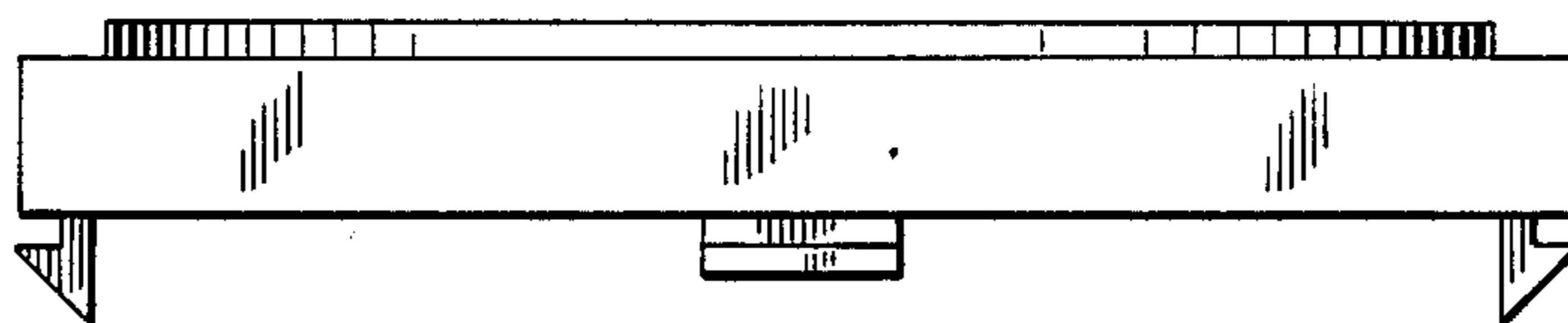


FIG. 5