

United States Patent [19]

Russold et al.

[11] Patent Number: **Des. 308,567**

[45] Date of Patent: **** Jun. 12, 1990**

[54] **PISTON HAND PUMP FOR FUEL, OIL AND CHEMICALS**

[75] Inventors: **Frank J. Russold; Fred L. Laqua,**
both of Wichita, Kans.

[73] Assignee: **Great Plains Industries, Inc.,**
Wichita, Kans.

[**] Term: **14 Years**

[21] Appl. No.: **119,322**

[22] Filed: **Nov. 10, 1987**

[52] U.S. Cl. **D23/231**

[58] Field of Search **D23/231-232;**
D15/7; 417/536, 234, 541-544, 535, 537

[56] **References Cited**

U.S. PATENT DOCUMENTS

D. 224,594 8/1972 Eves et al. D23/232

D. 253,297 10/1979 Digney et al. D23/232
2,784,676 3/1957 Woodward 417/536
3,034,450 5/1962 Kruckeberg D23/232 X

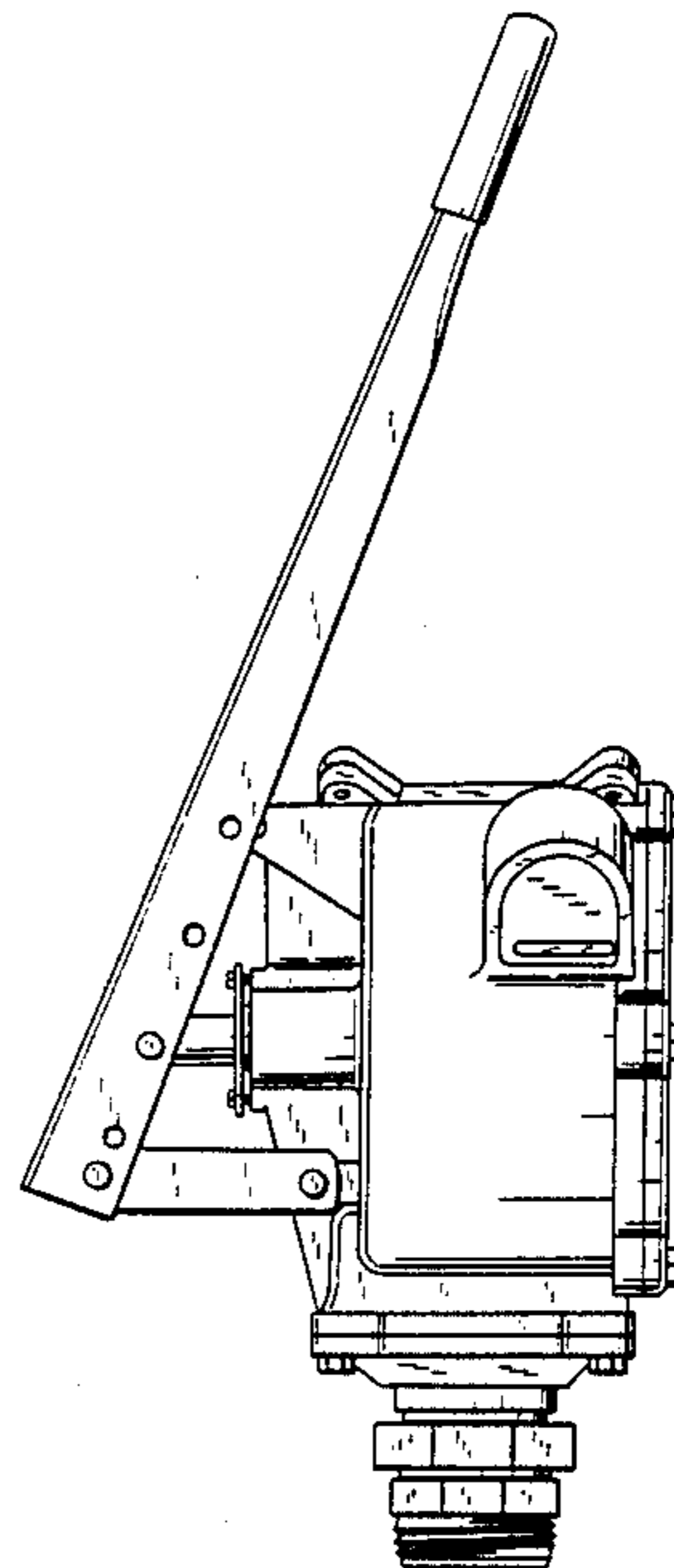
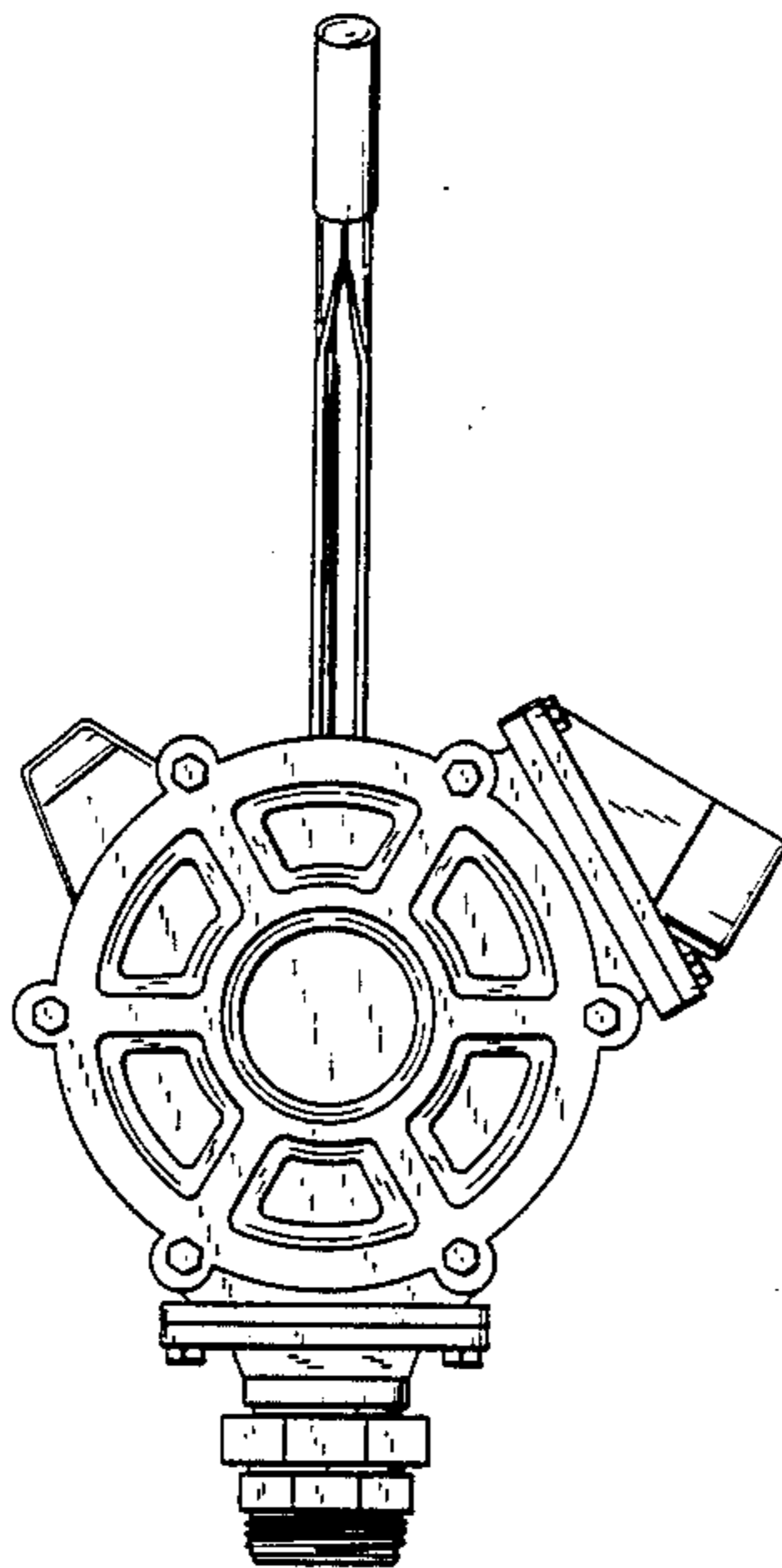
Primary Examiner—Susan J. Lucas
Assistant Examiner—M. H. Tung
Attorney, Agent, or Firm—Bill D. McCarthy

[57] **CLAIM**

The ornamental design for a piston hand pump for fuel, oil and chemicals, as shown and described.

DESCRIPTION

FIG. 1 is a front elevational view of a piston hand pump for fuel, oil and chemicals showing our new design; FIG. 2 is a rear elevational view thereof; FIG. 3 is a top plan view thereof; FIG. 4 is an elevational view of one side thereof; FIG. 5 is an elevational view of the other side thereof; and FIG. 6 is a bottom plan view thereof.



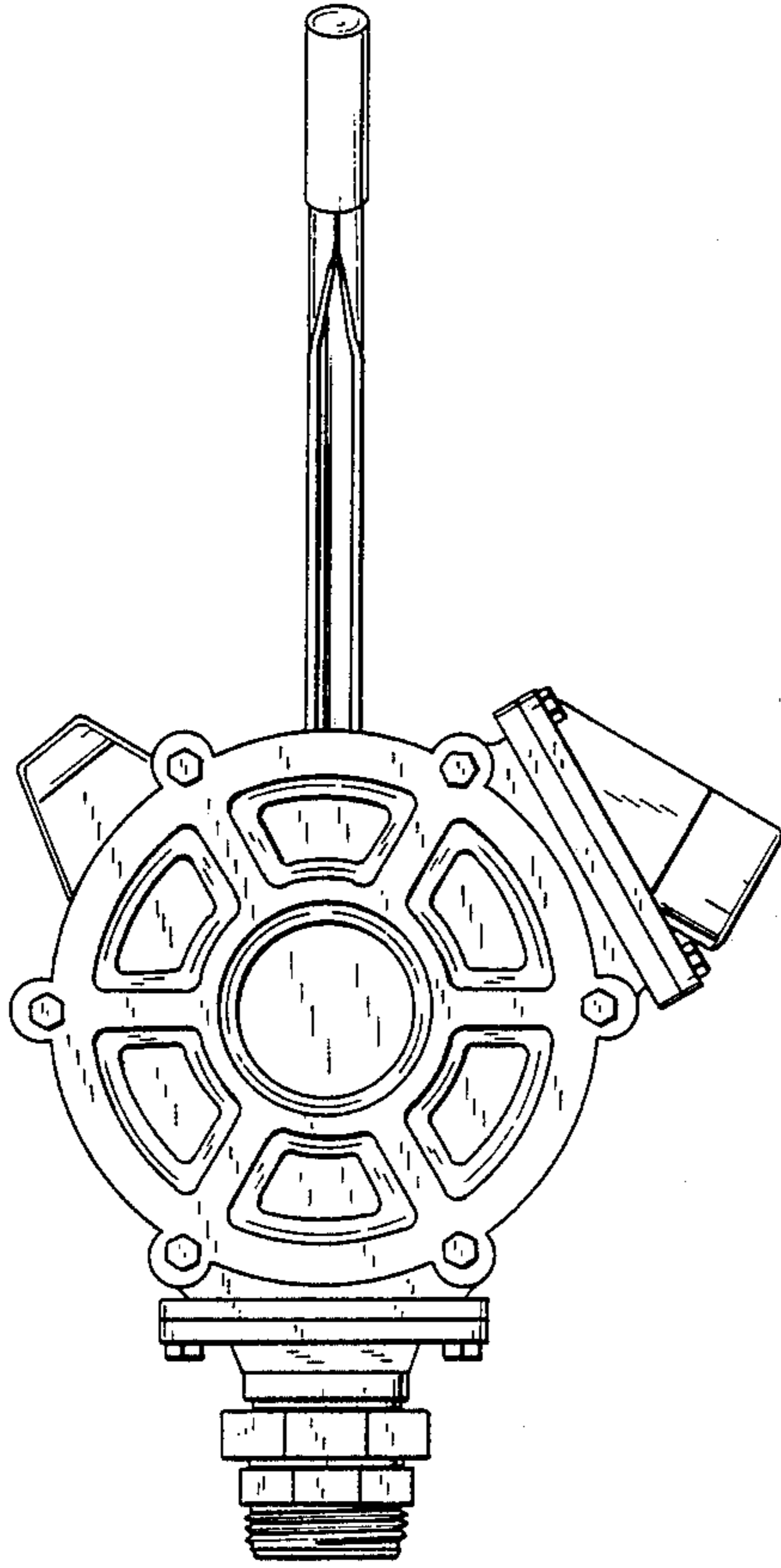


FIG. 1

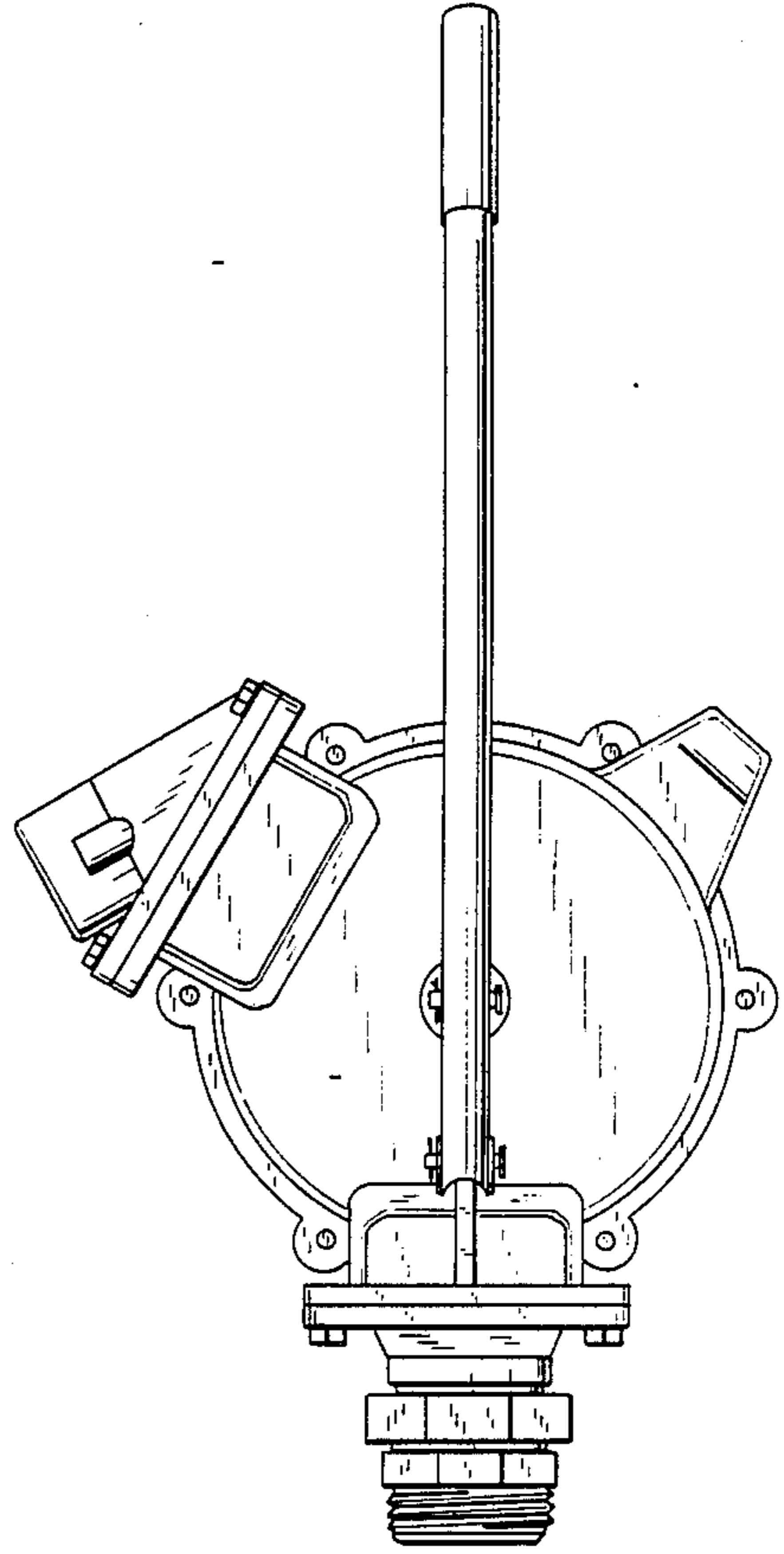


FIG. 2

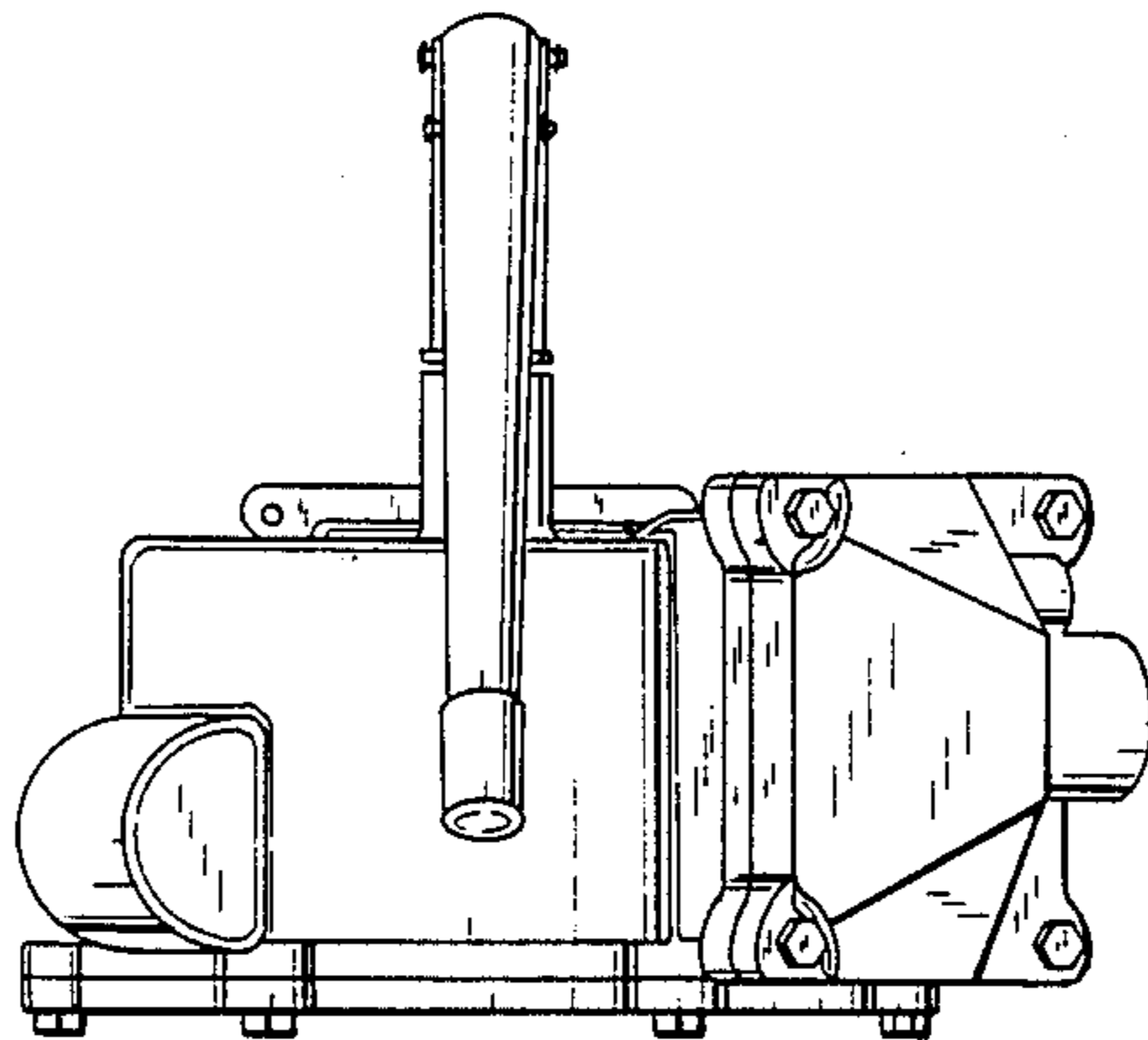


FIG. 3

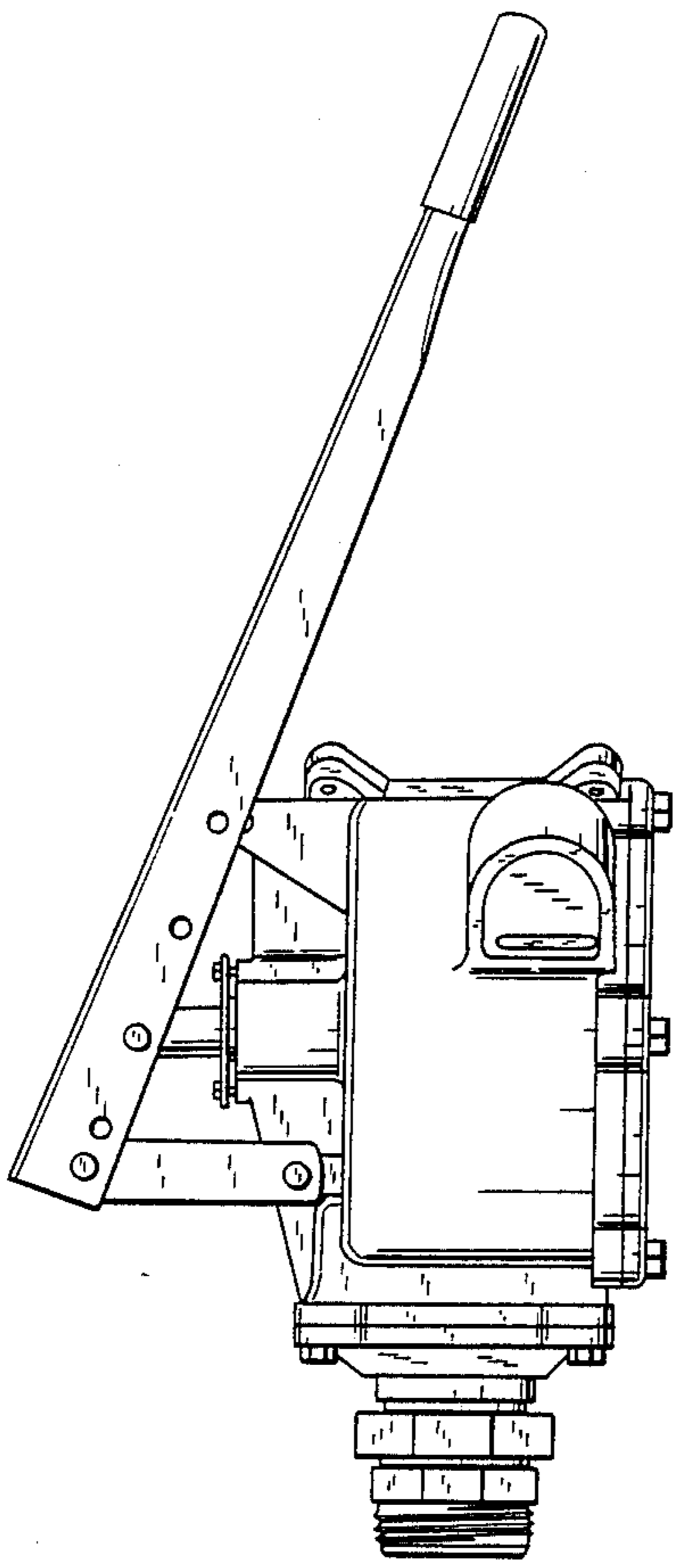


FIG. 4

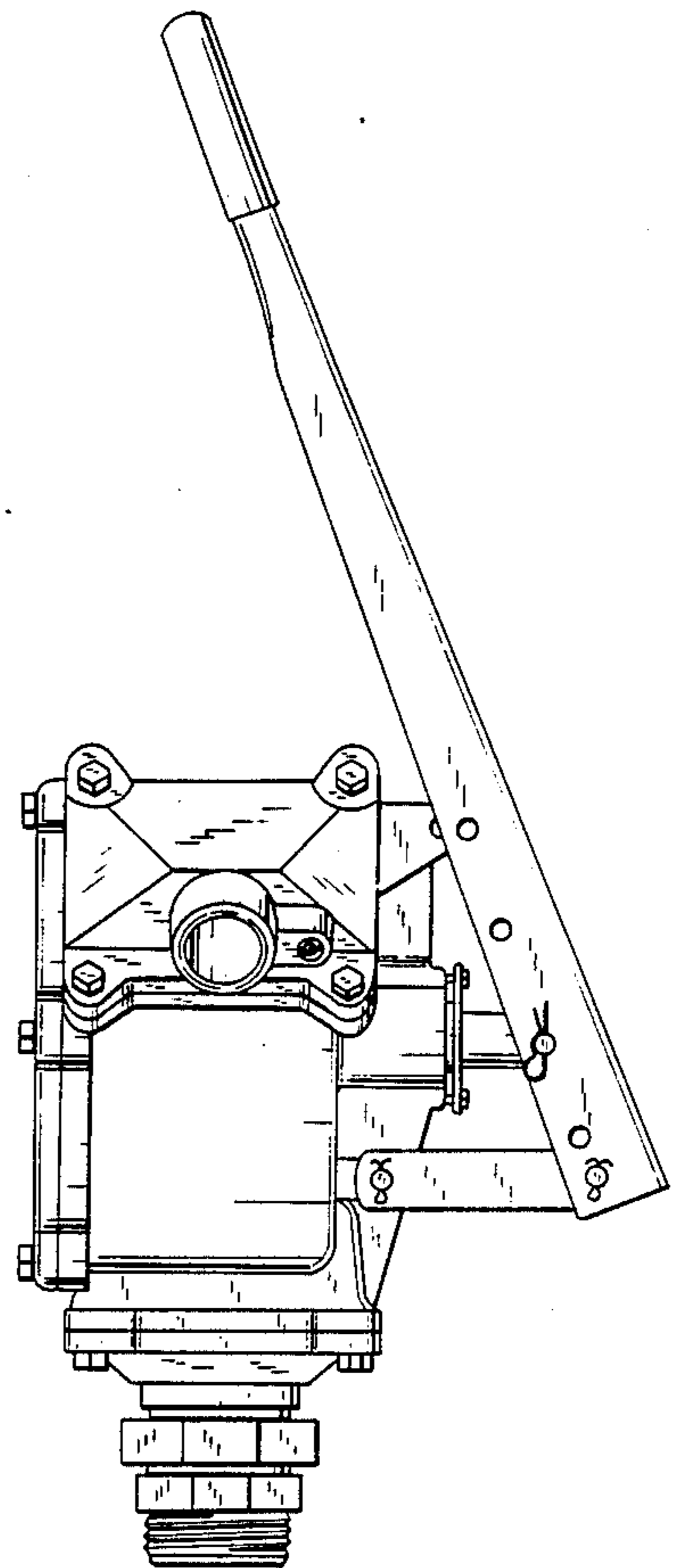


FIG. 5

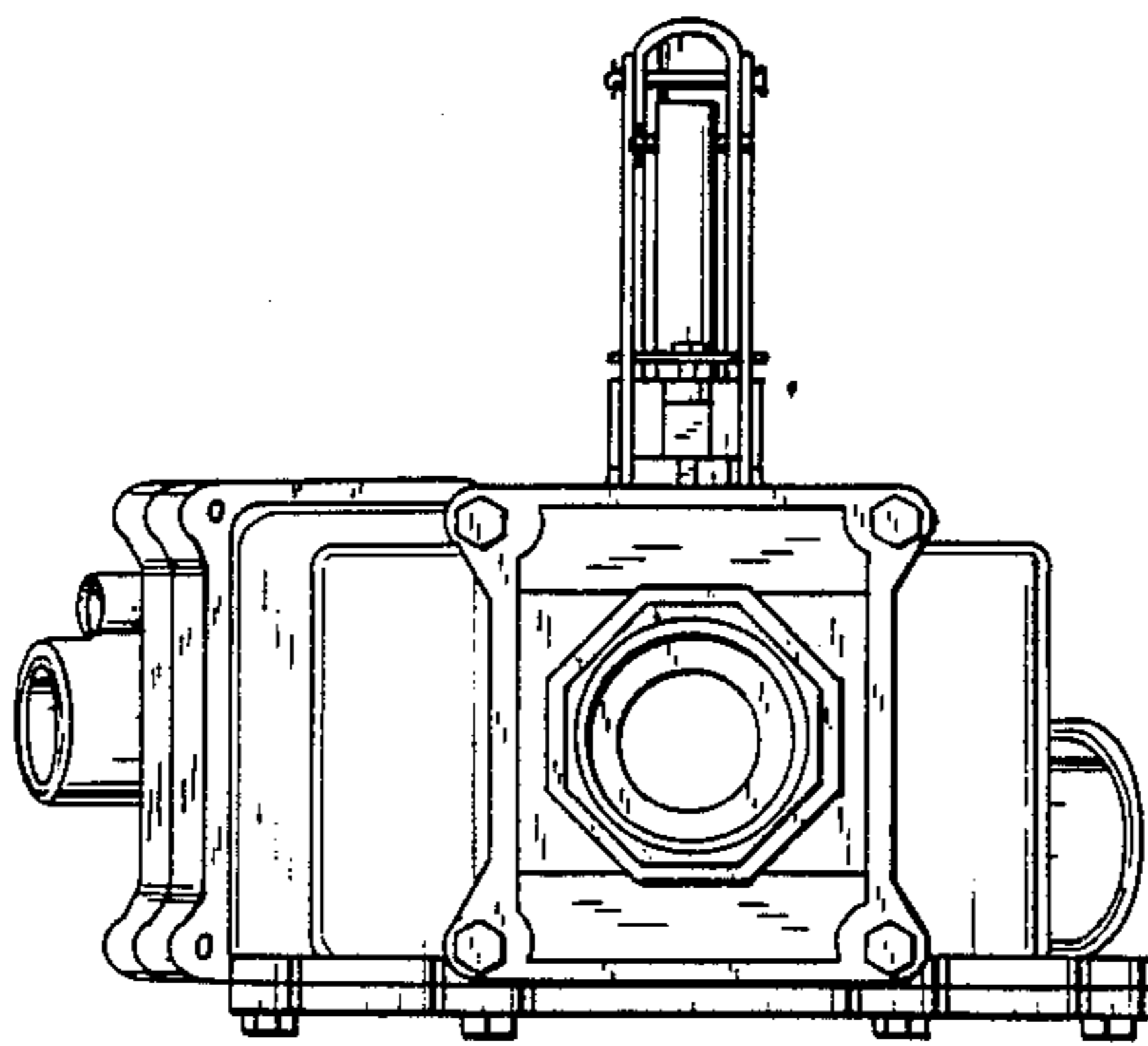


FIG. 6