

[54] **INSECT BAIT STATION**

[75] **Inventor:** Mark E. Wefler, Racine County, Wis.

[73] **Assignee:** S. C. Johnson & Son, Inc., Racine, Wis.

[**] **Term:** 14 Years

[21] **Appl. No.:** 111,526

[22] **Filed:** Oct. 22, 1987

[52] **U.S. Cl.** D22/122

[58] **Field of Search** D22/119, 122; 43/58, 43/107, 114, 121, 131; D30/110, 126

[56] **References Cited**

U.S. PATENT DOCUMENTS

- D. 208,303 8/1967 Musikantow et al. D22/122
- D. 281,917 12/1985 Myers et al. D30/110
- 1,862,325 6/1932 Watson 43/107
- 3,173,223 3/1965 Dunn et al. 43/131
- 4,592,163 6/1986 Wilson D22/122 X

FOREIGN PATENT DOCUMENTS

2351595 12/1977 France 43/114

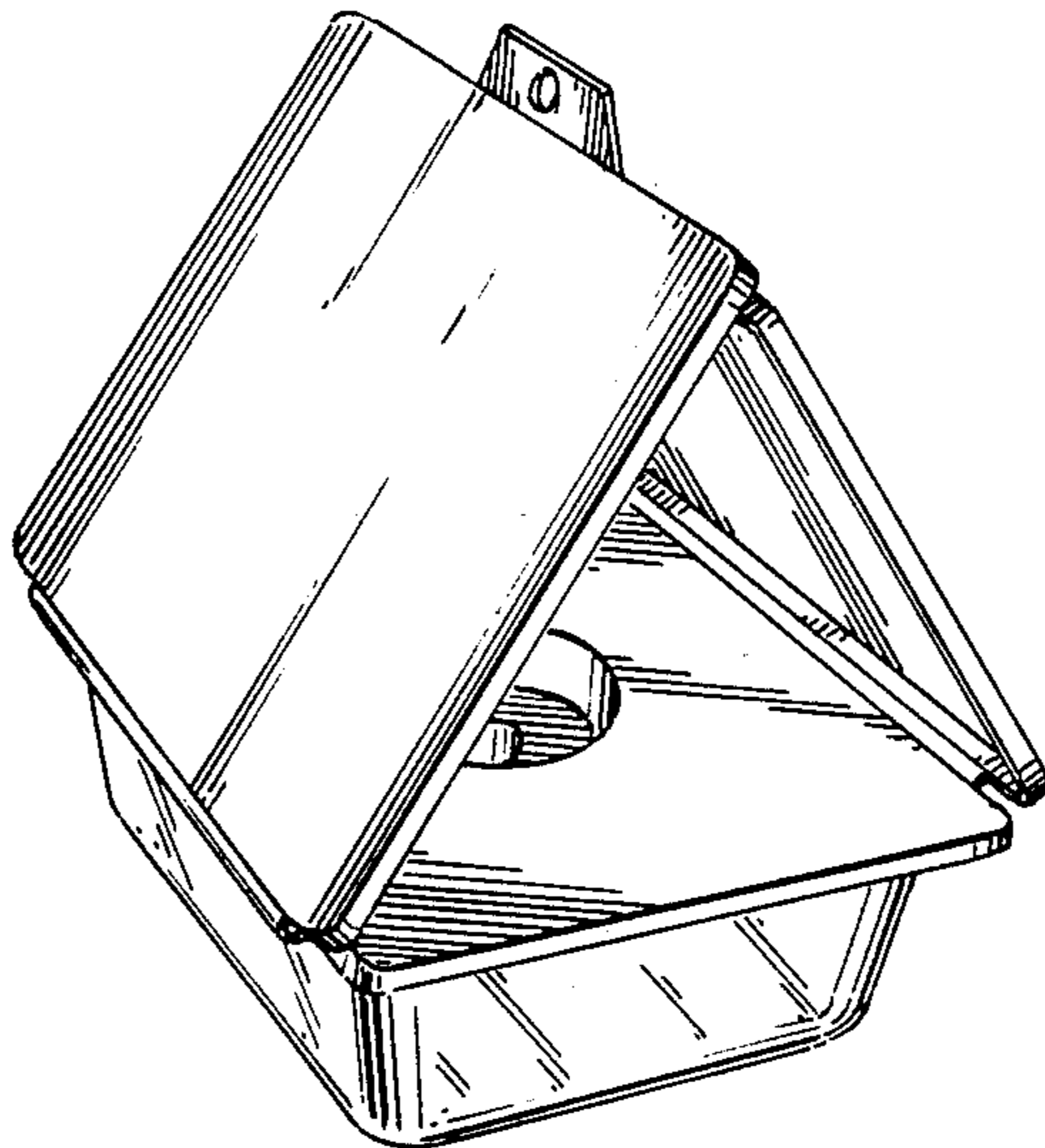
Primary Examiner—A. Hugo Word
Assistant Examiner—Doris V. Coles

[57] **CLAIM**

The ornamental design for an insect bait station, as shown and described.

DESCRIPTION

FIG. 1 is a perspective view of an insect bait station in the erect condition, showing my new design;
 FIG. 2 is a front elevational view of the insect bait station in the closed condition;
 FIG. 3 is a front elevational view of the insect bait station in the opened condition;
 FIG. 4 is a front elevational view of the insect bait station in the erected condition;
 FIG. 5 is a top plan view of the insect bait station in the erected condition;
 FIG. 6 is a bottom plan view of the insect bait station in the erected condition;
 FIG. 7 is a leftside elevational view of the insect bait station in the erected condition; and
 FIG. 8 is a rightside elevational view of the insect bait station in the erected condition.



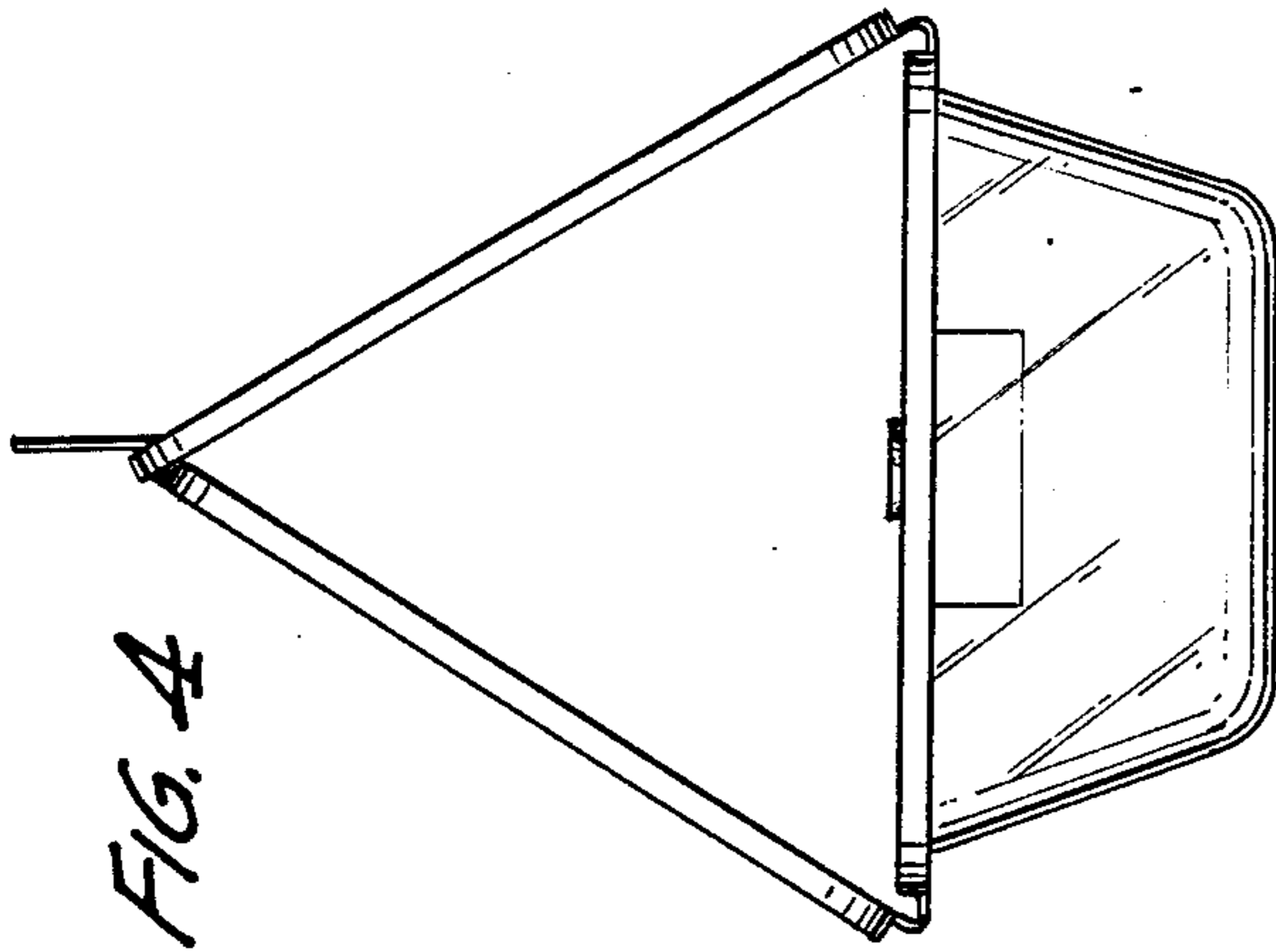


FIG. 4

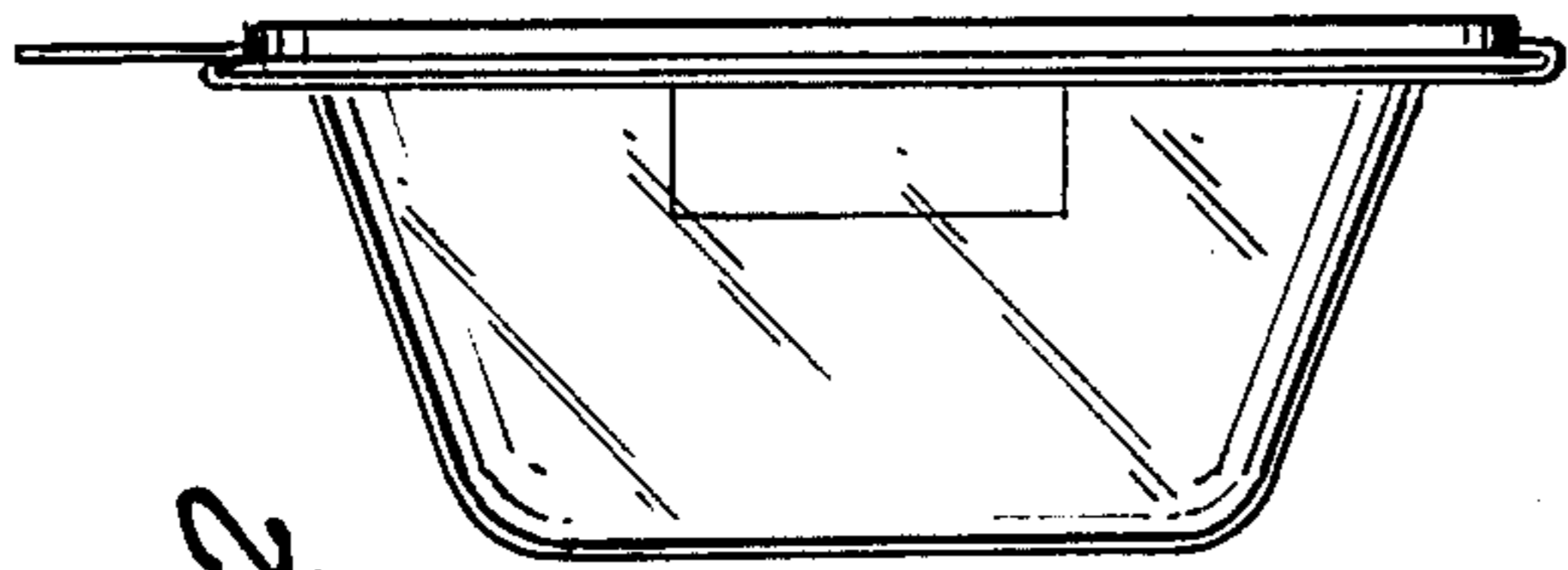


FIG. 2

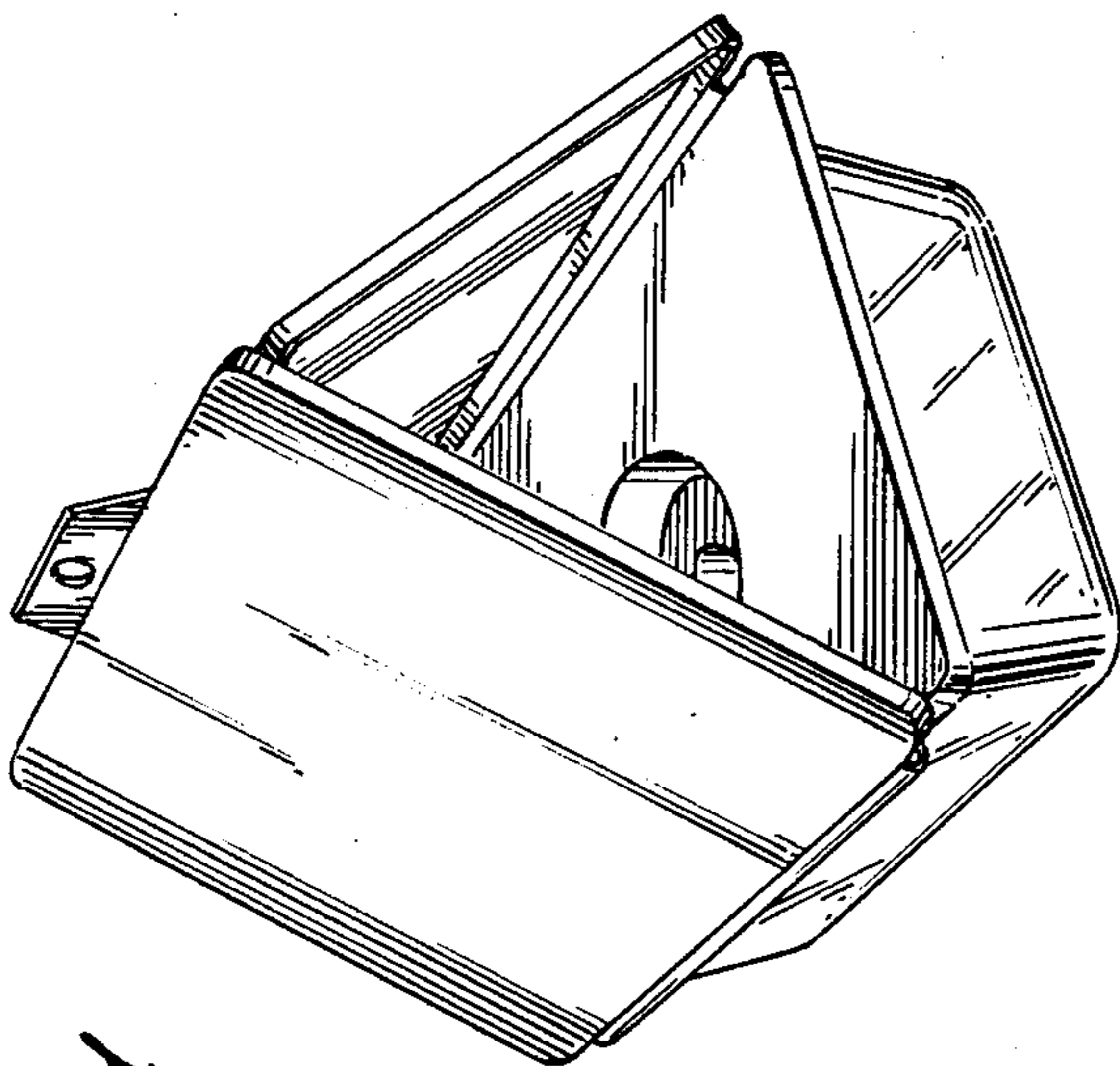


FIG. 1

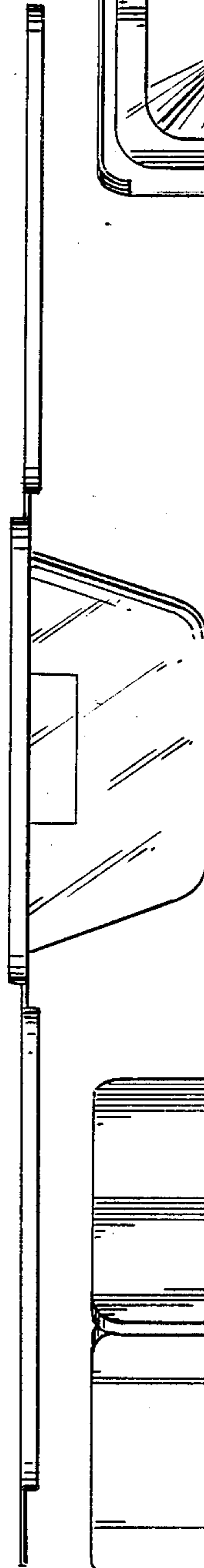


FIG. 3

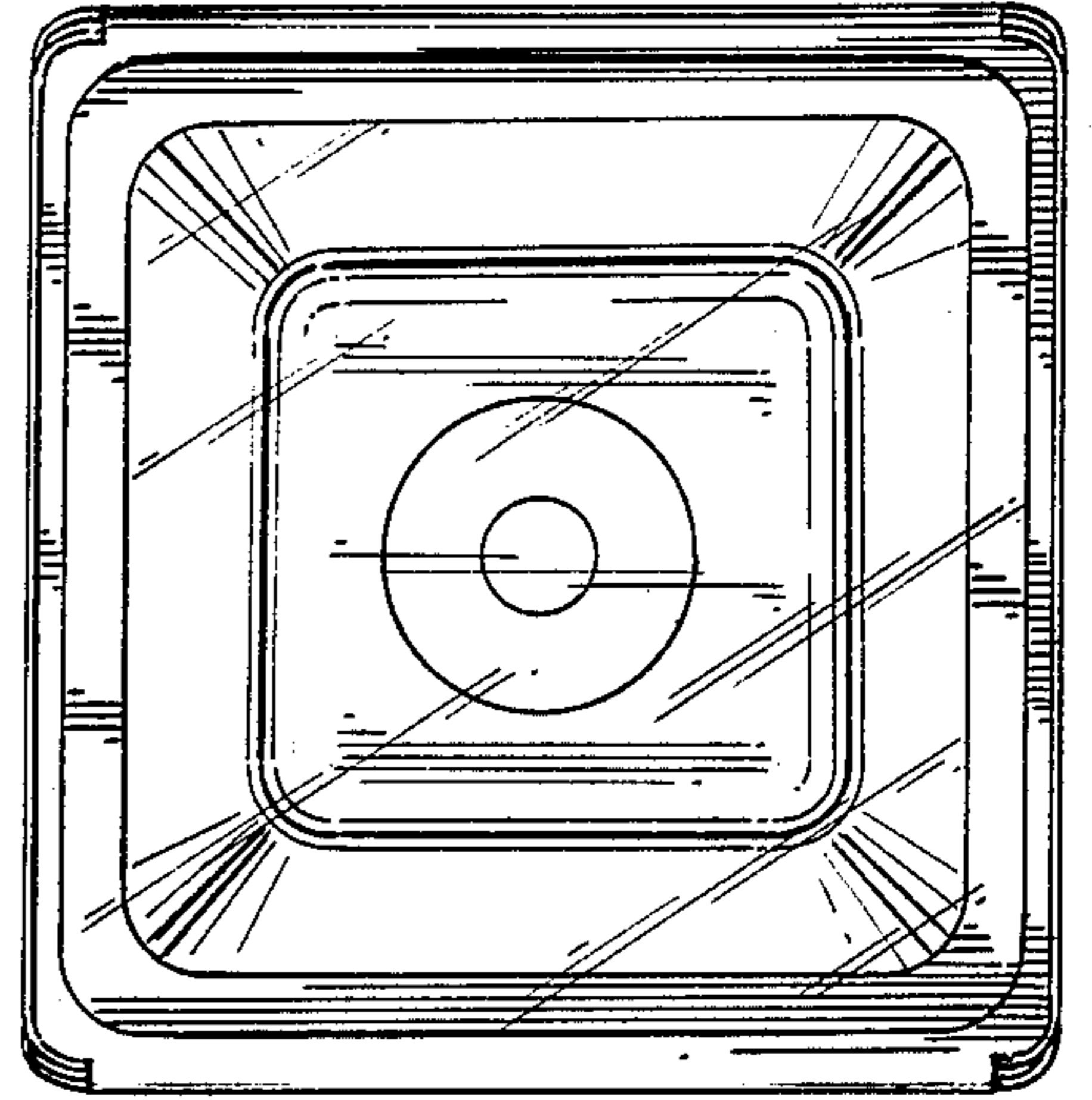


FIG. 6

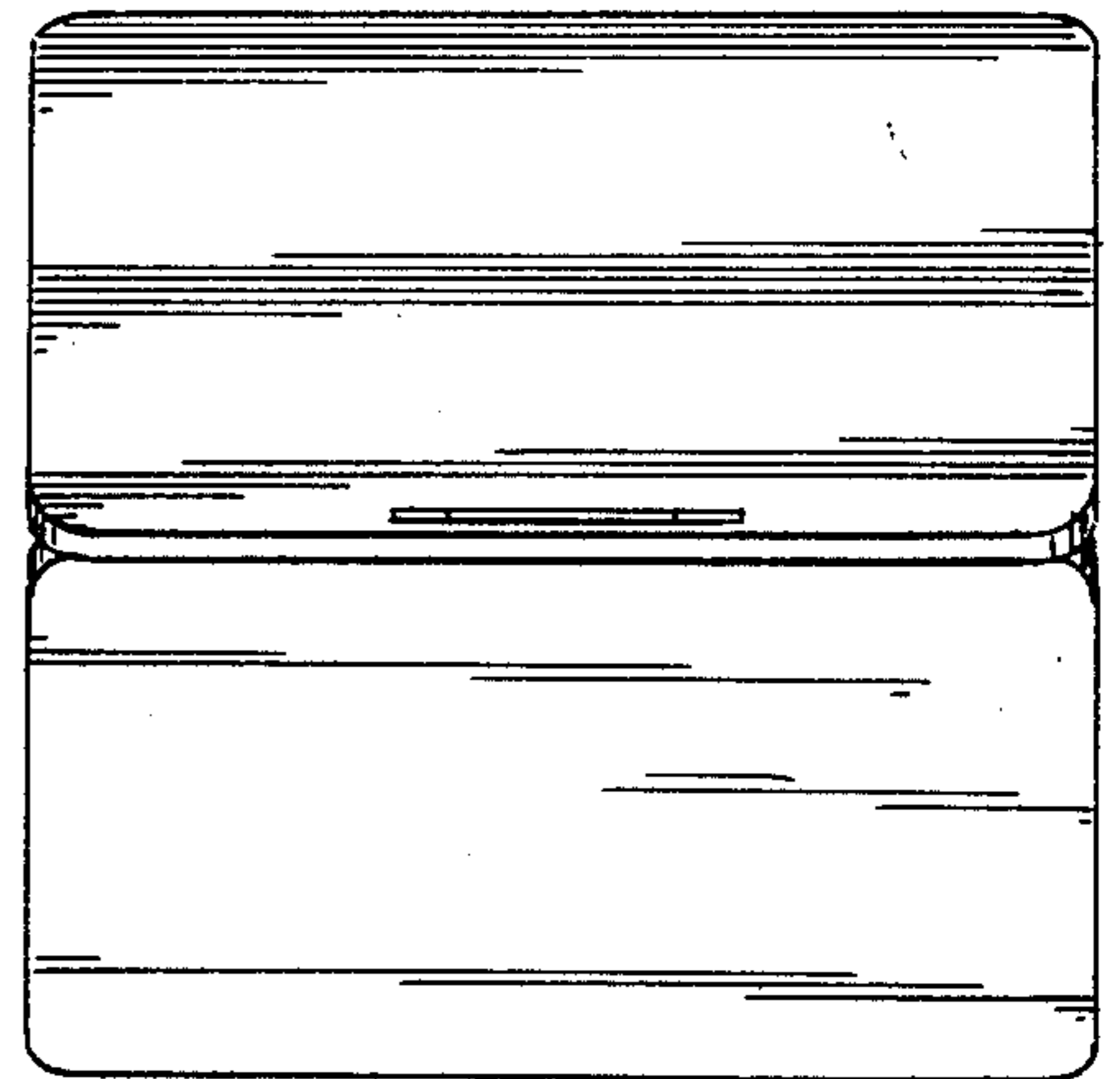


FIG. 5

FIG. 7

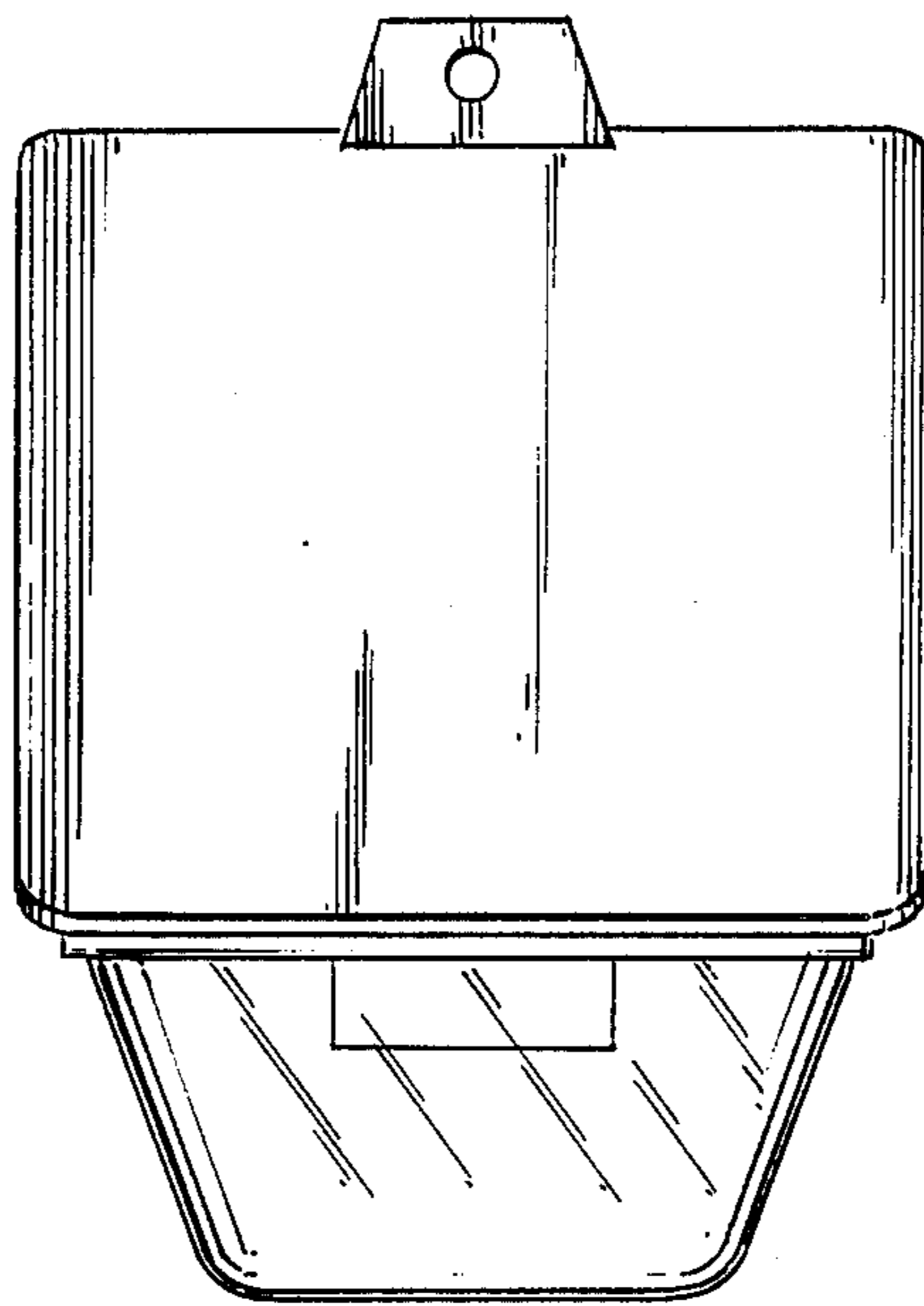


FIG. 8

