

[54] JUNCTION UNIT FOR MODULAR PLAYGROUND EQUIPMENT

[75] Inventor: Jack M. Pentes, Charlotte, N.C.

[73] Assignee: Pentes Designs, Inc., Charlotte, N.C.

[**] Term: 14 Years

[21] Appl. No.: 60,671

[22] Filed: Jun. 10, 1987

[52] U.S. Cl. D21/242

[58] Field of Search D21/240-252, D21/112; D25/102-125; D30/160, 108-120; 272/1 A-1 E; 446/85, 114-125

[56] References Cited

U.S. PATENT DOCUMENTS

D. 197,215	12/1963	Dreyfuss	D6/432 X
D. 219,605	12/1970	Wormser	D21/245
D. 231,372	4/1974	Willinger	D30/119
D. 248,686	7/1978	Greenberg	D21/59
D. 256,956	9/1980	Stewart et al.	D30/119
D. 283,635	4/1986	Kato et al.	D21/108
D. 285,594	9/1986	Sassak	D21/250
3,947,024	3/1976	Slater	272/113
3,955,328	5/1976	Linsay	D25/4 X

FOREIGN PATENT DOCUMENTS

0150009	7/1985	European Pat. Off.	272/113
2400506	7/1975	Fed. Rep. of Germany	272/113

566161 9/1975 Fed. Rep. of Germany 272/113

OTHER PUBLICATIONS

Playscape, Incorporated; pp. 4-5.

Primary Examiner—Bernard Ansher

Assistant Examiner—C. Tuttle

Attorney, Agent, or Firm—Shefte, Pinckney & Sawyer

[57] CLAIM

The ornamental design for a junction unit for modular playground equipment, as shown and described.

DESCRIPTION

FIG. 1 is a top perspective view of a junction unit for modular playground equipment showing my new design;

FIG. 2 is a front elevational view thereof;

FIG. 3 is a top plan view thereof;

FIG. 4 is a top perspective view of a second modified embodiment;

FIG. 5 is a front elevational view thereof;

FIG. 6 is a top plan view thereof;

FIG. 7 is a top perspective view of a third modified embodiment;

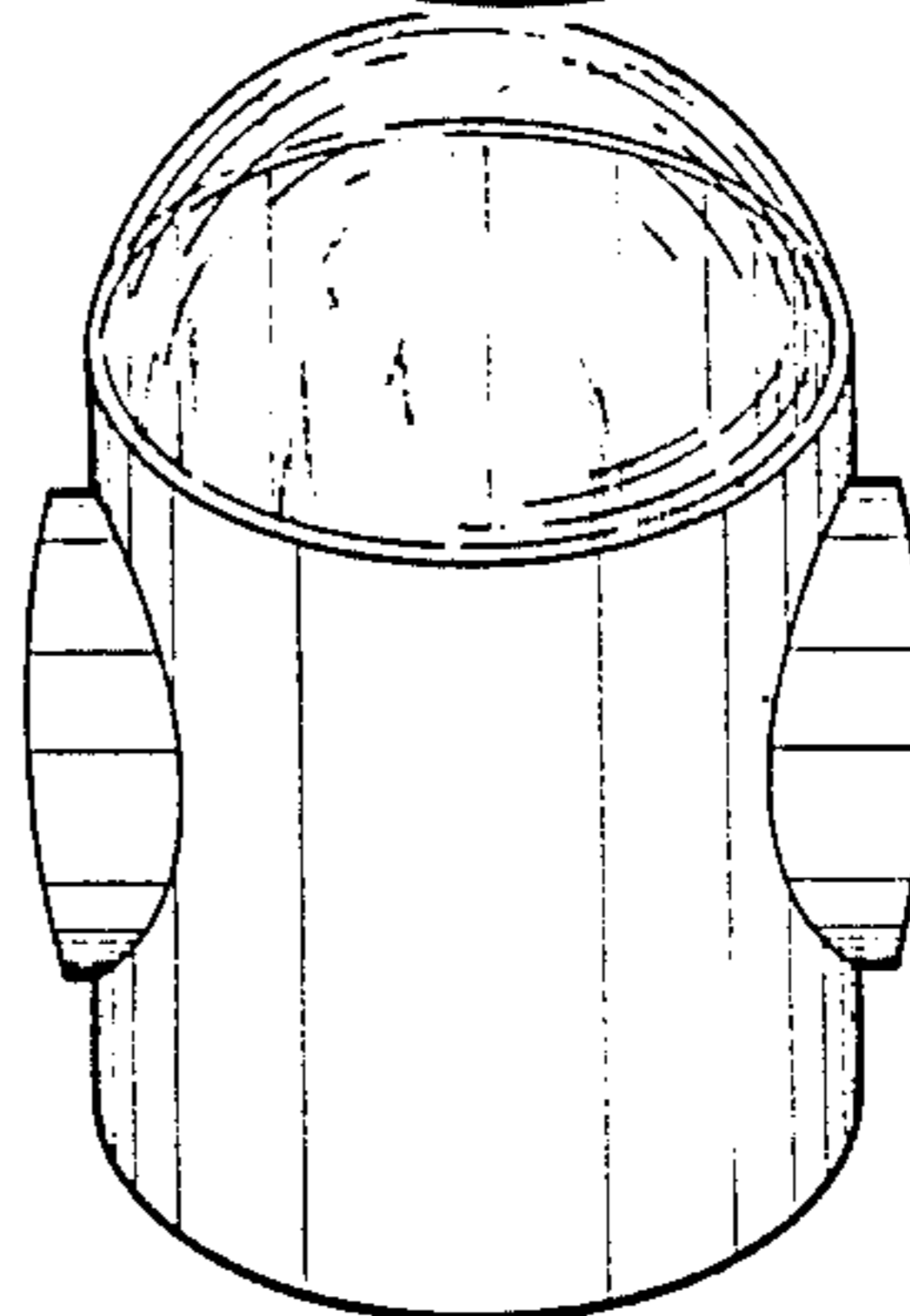
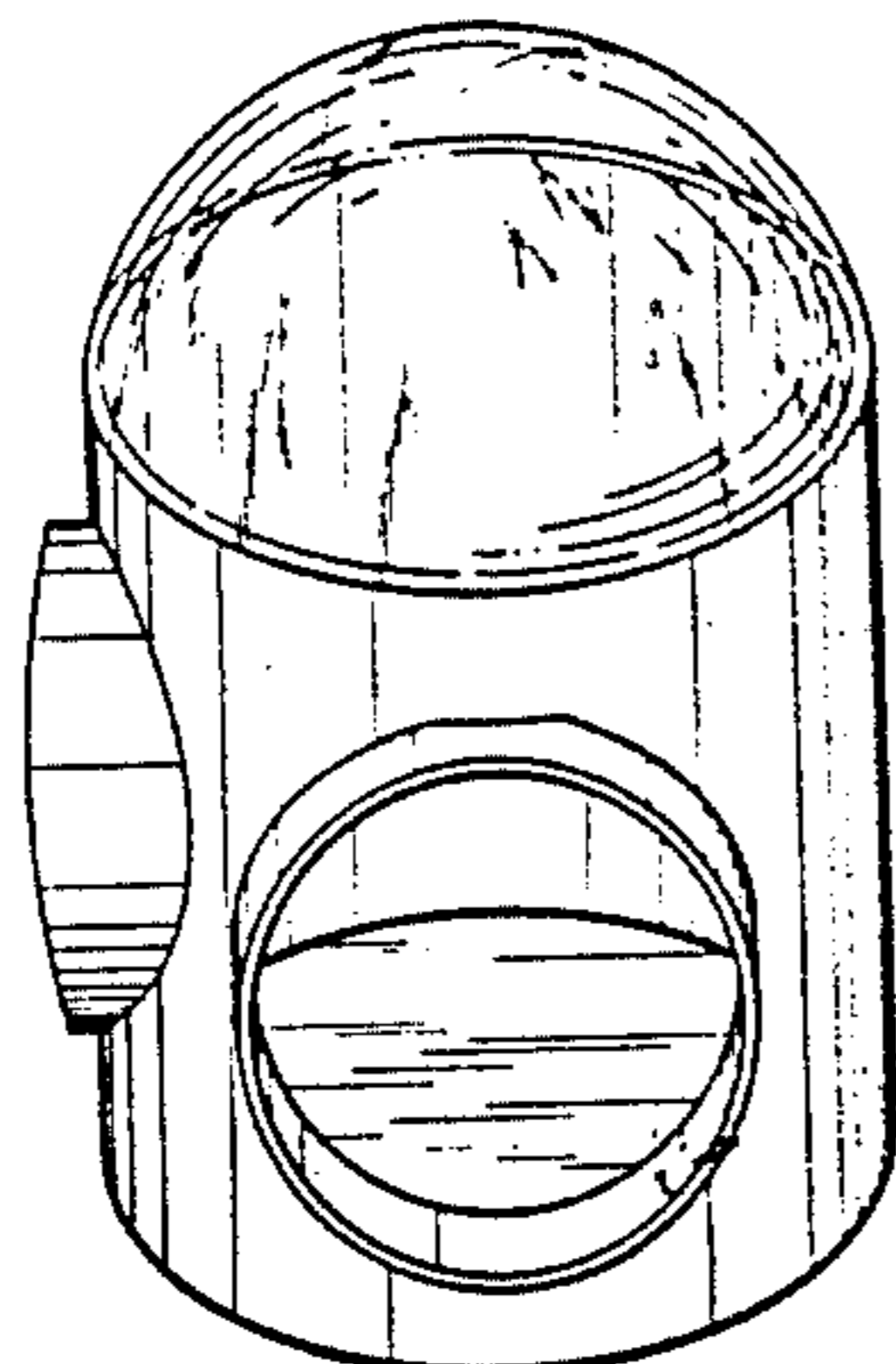
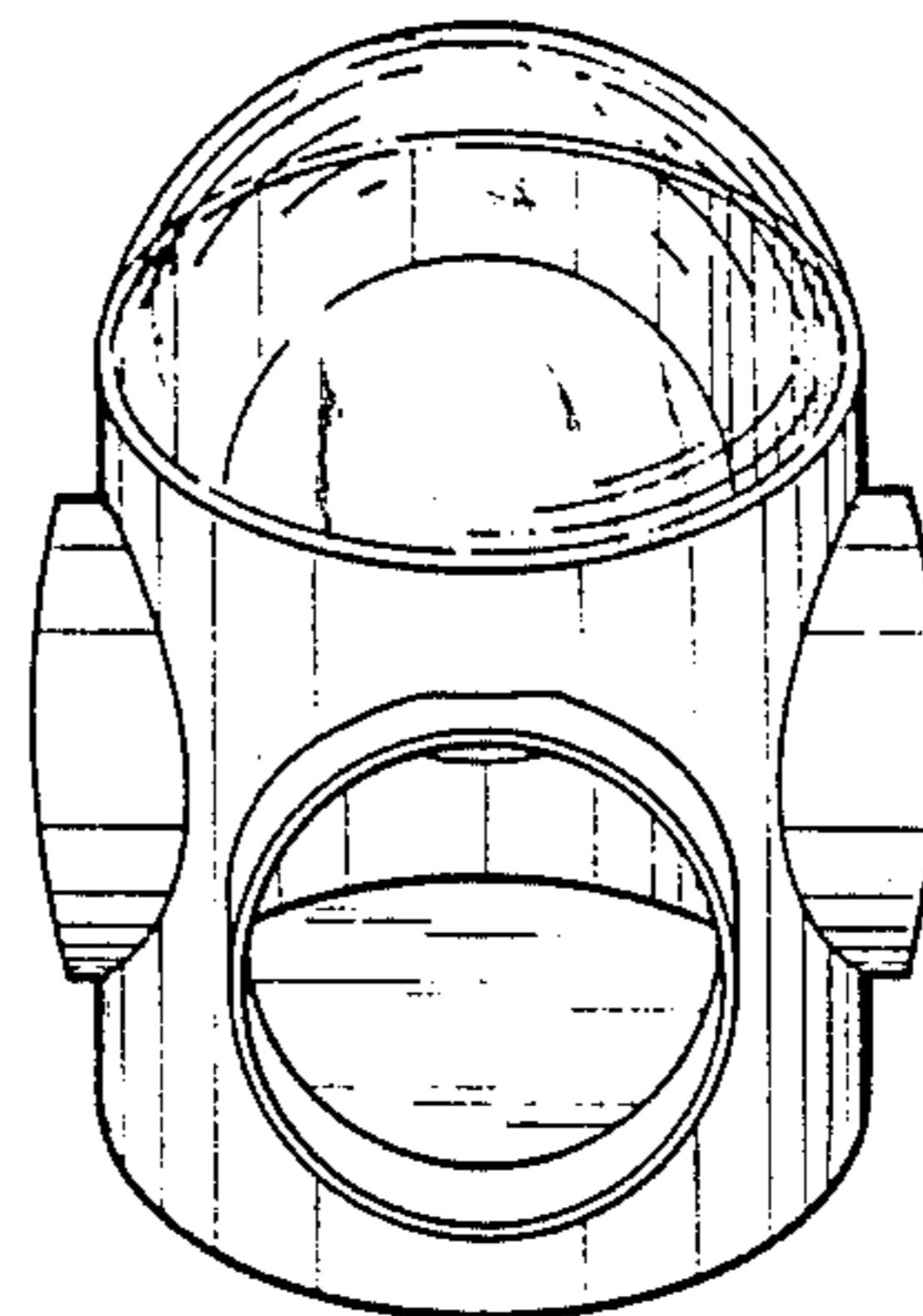
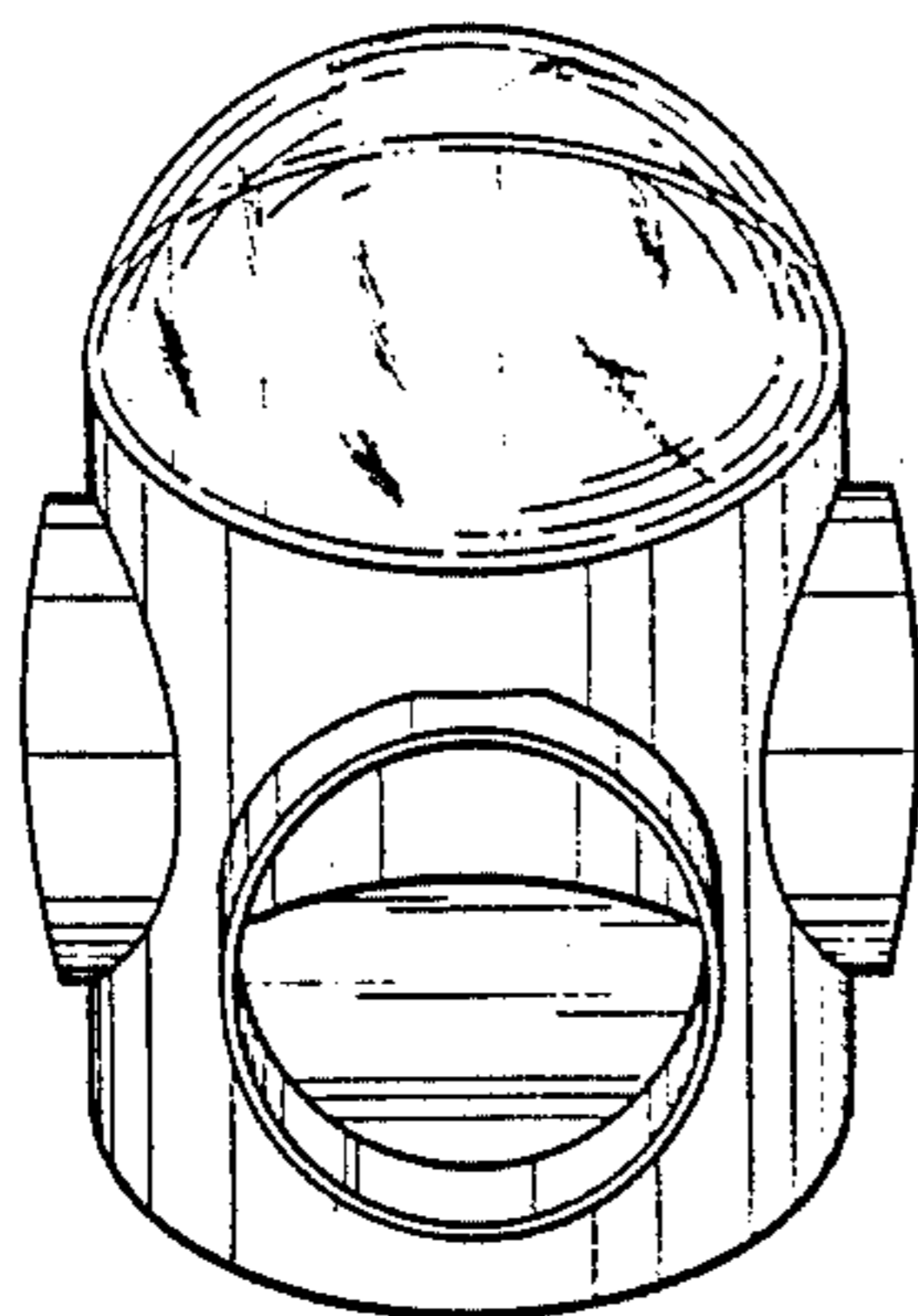
FIG. 8 is a front elevational view thereof;

FIG. 9 is a top plan view thereof;

FIG. 10 is a top perspective view of a fourth modified embodiment;

FIG. 11 is a front elevational view thereof; and

FIG. 12 is a top plan view thereof.



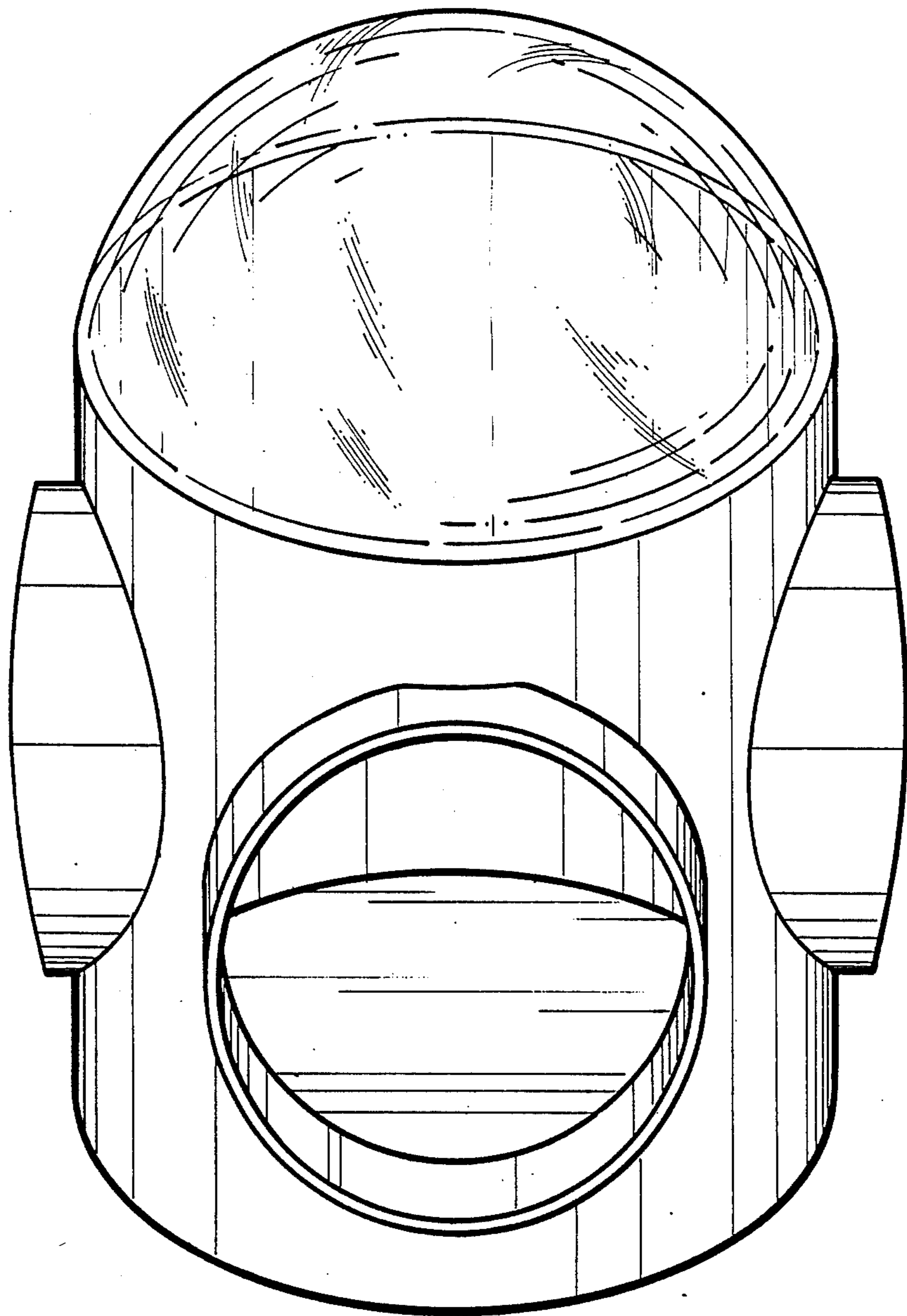


FIG. 1

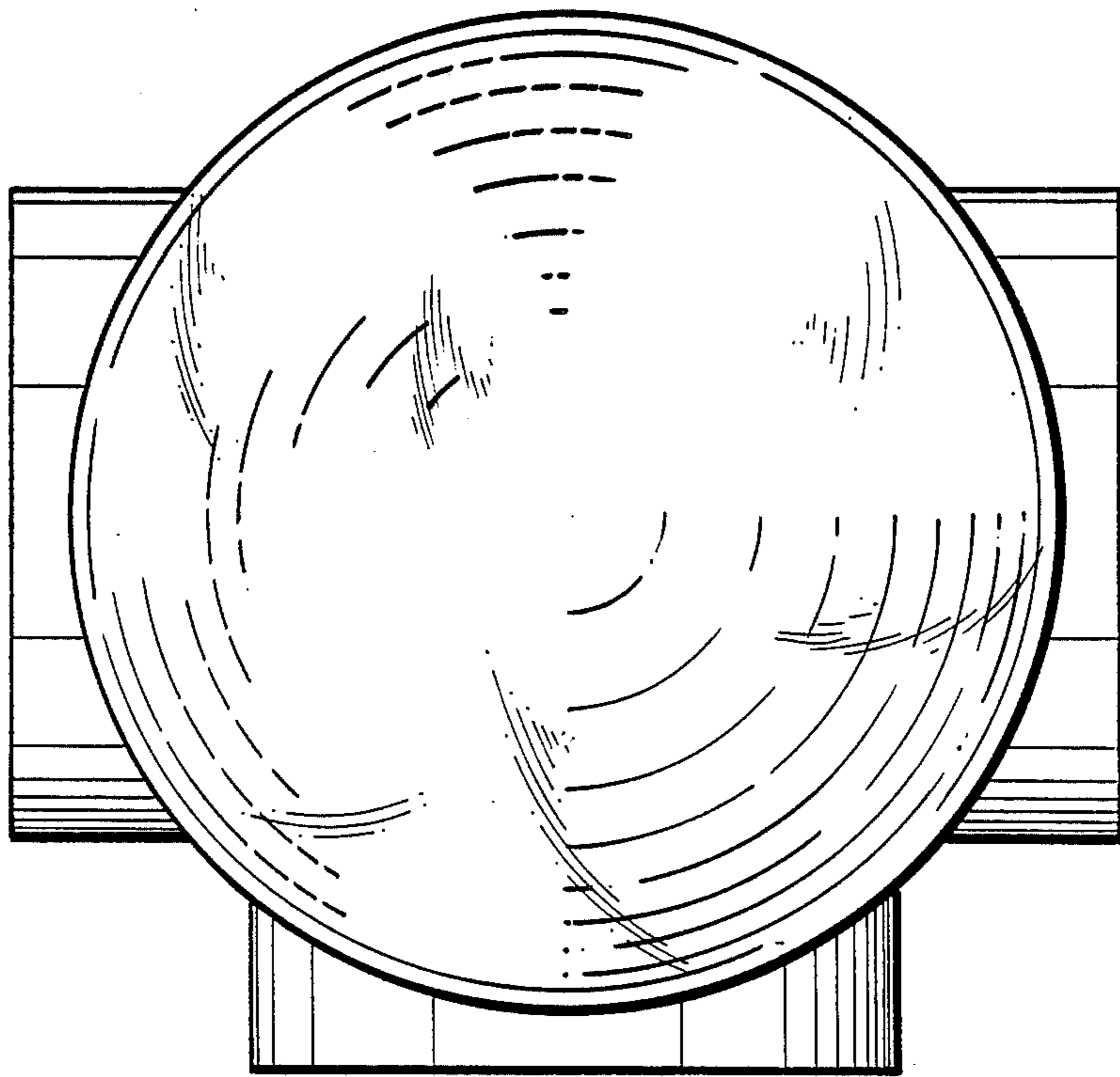


FIG. 3

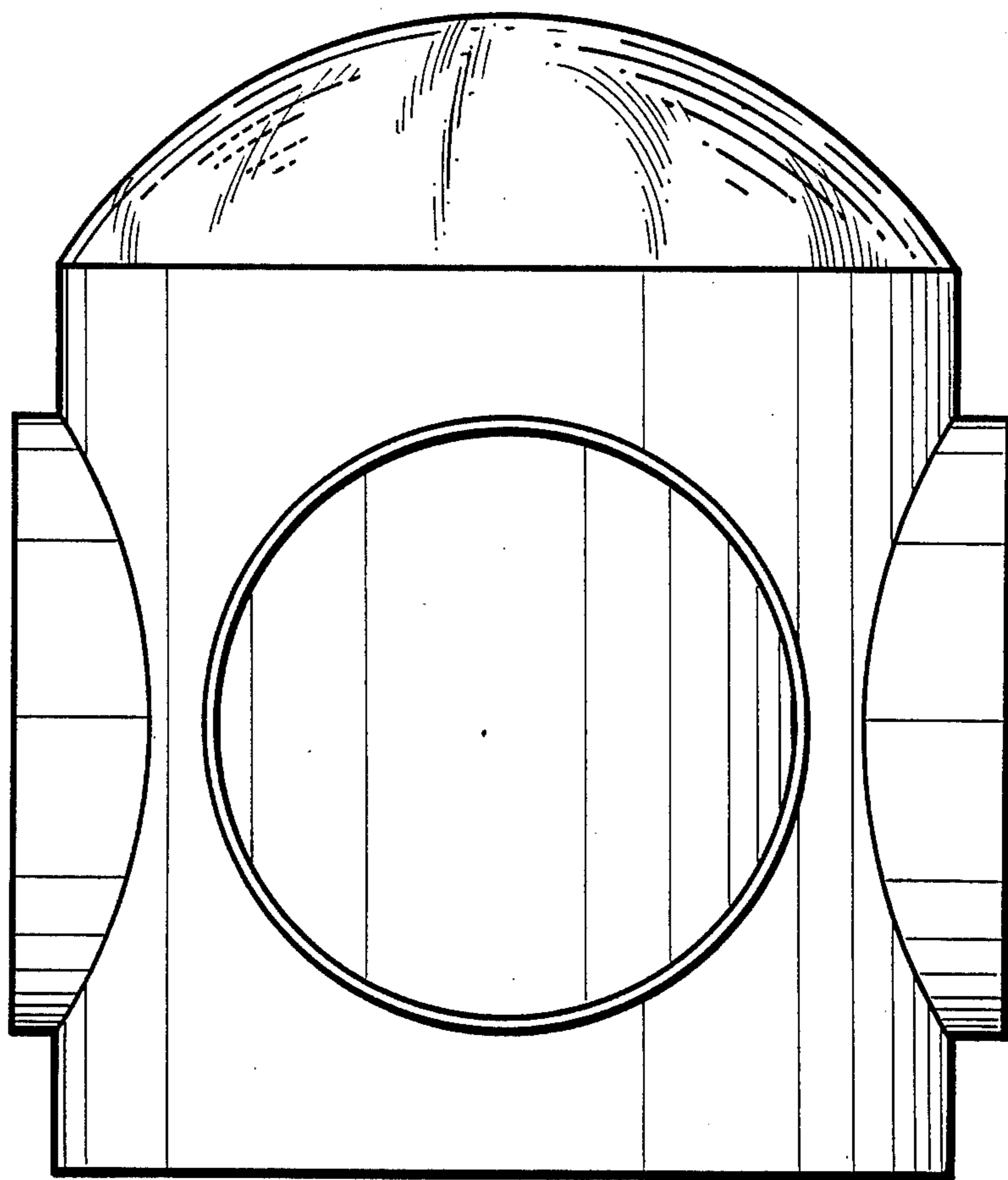


FIG. 2

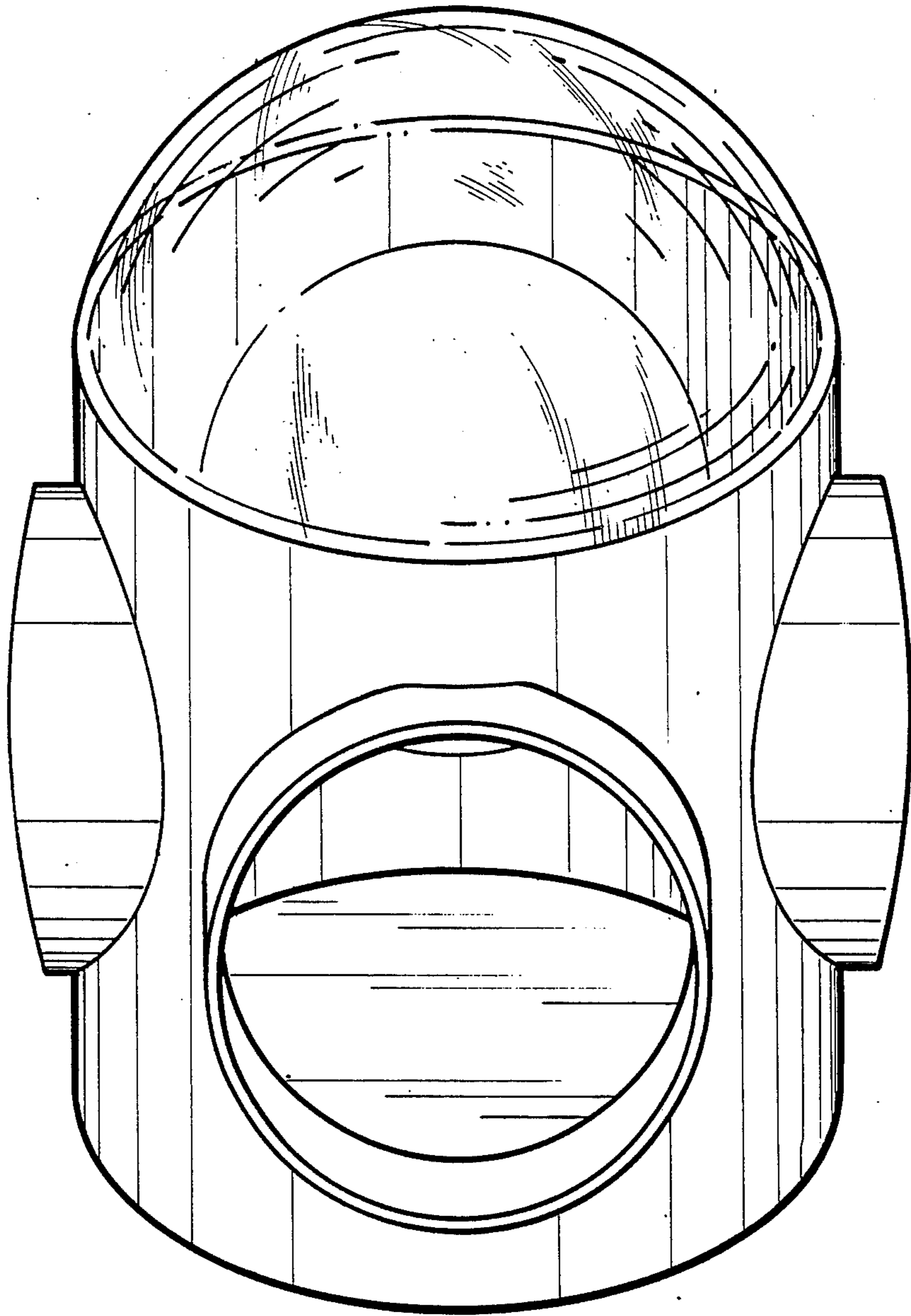
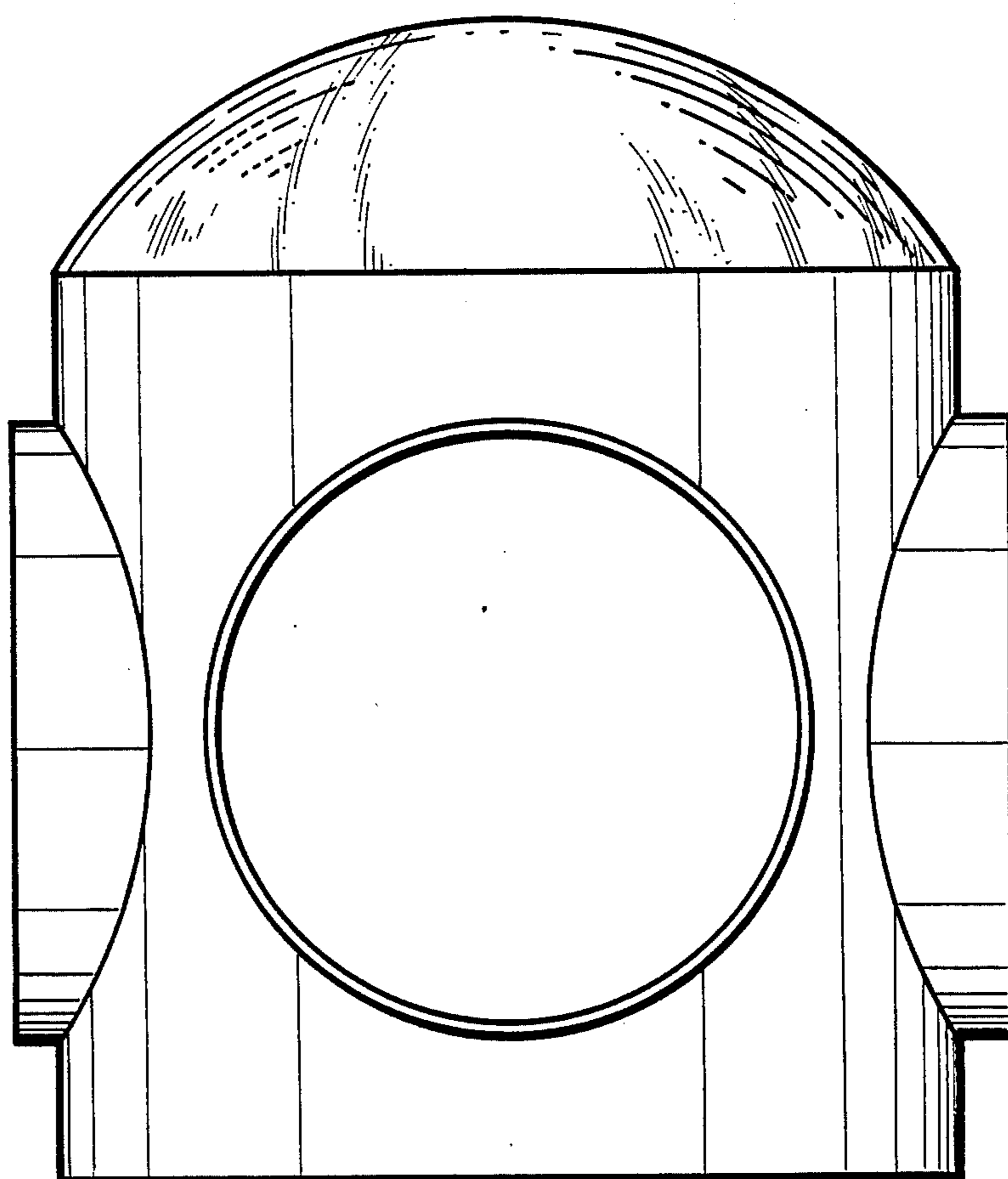
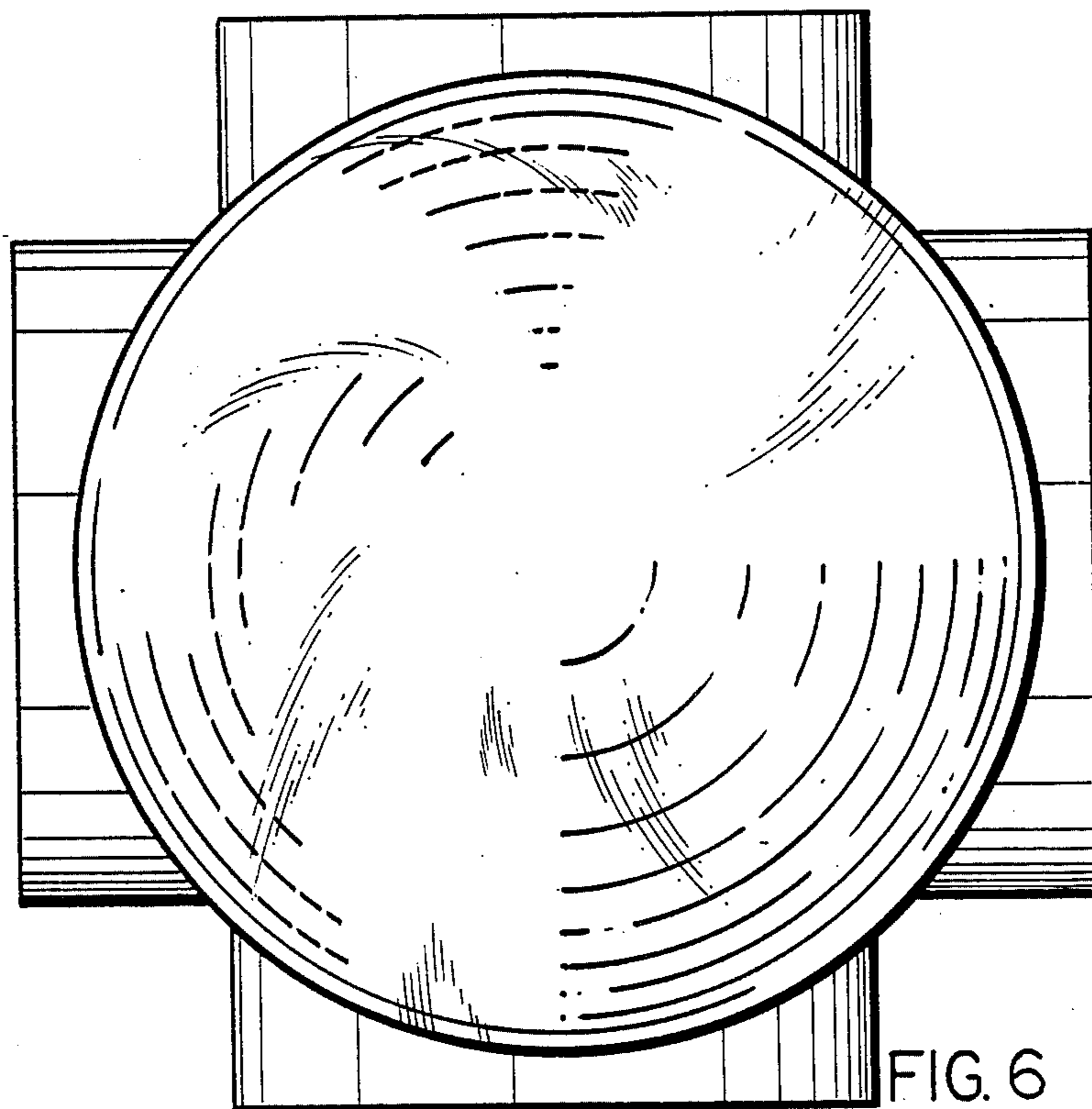


FIG. 4



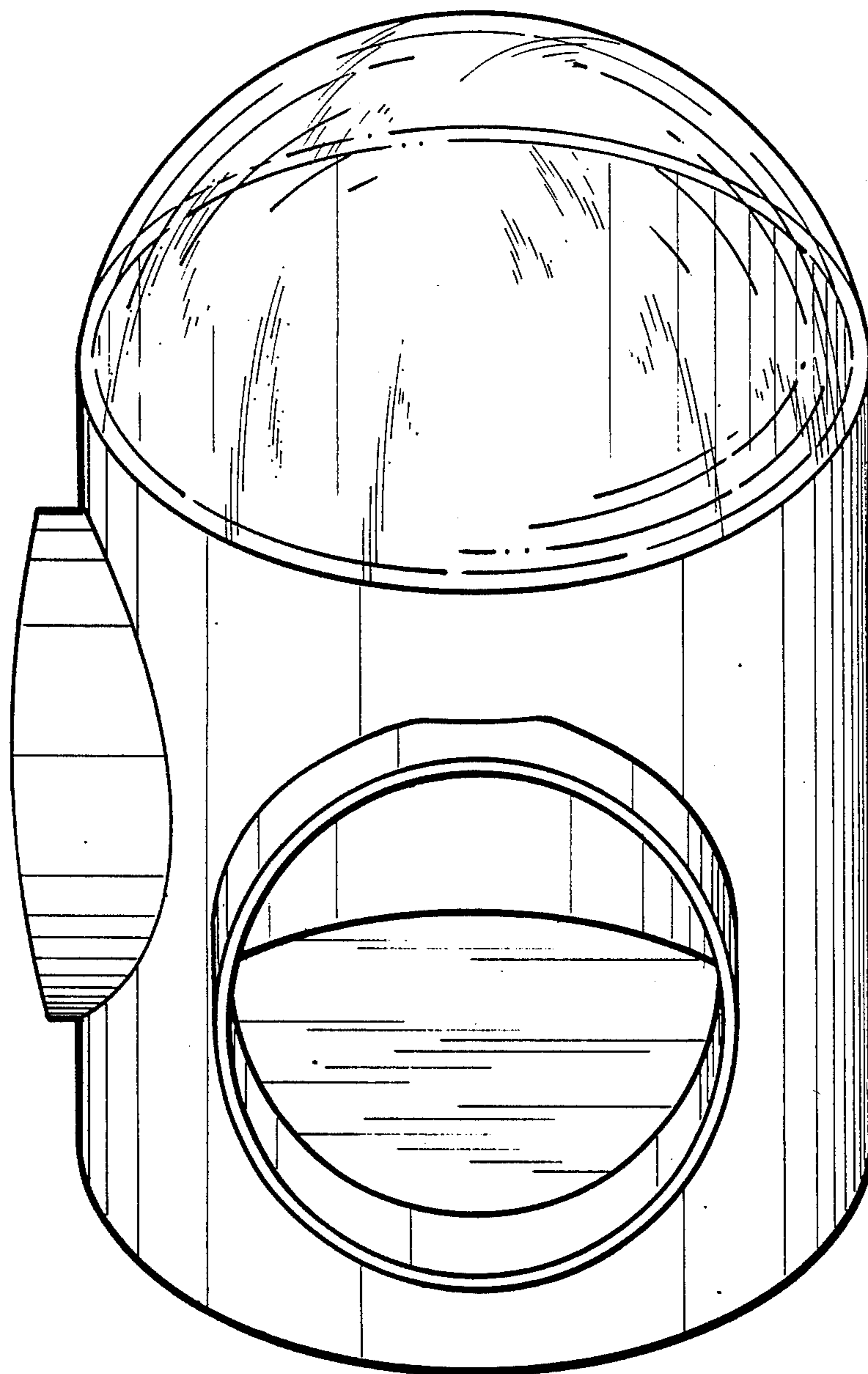


FIG. 7

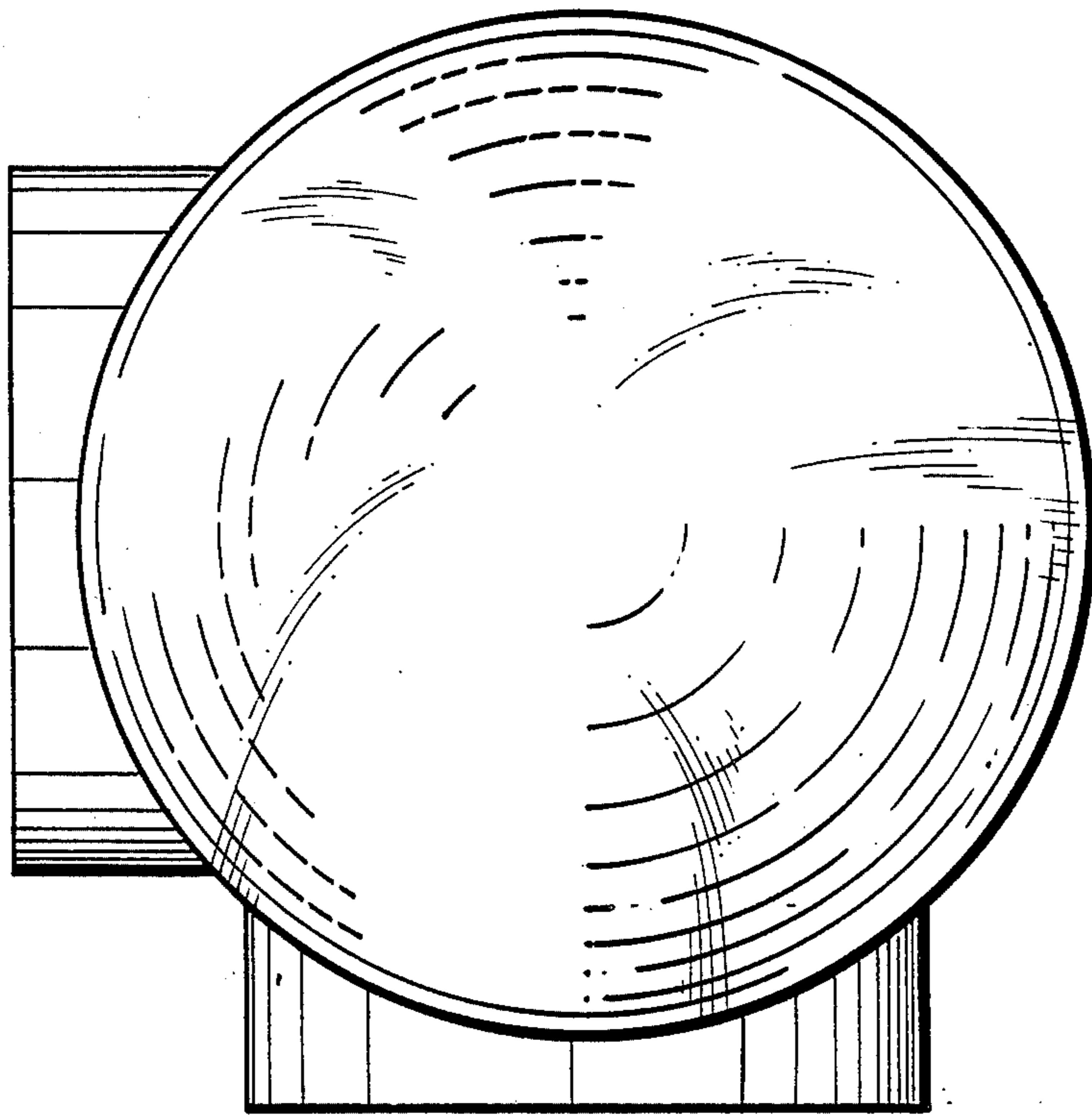


FIG. 9

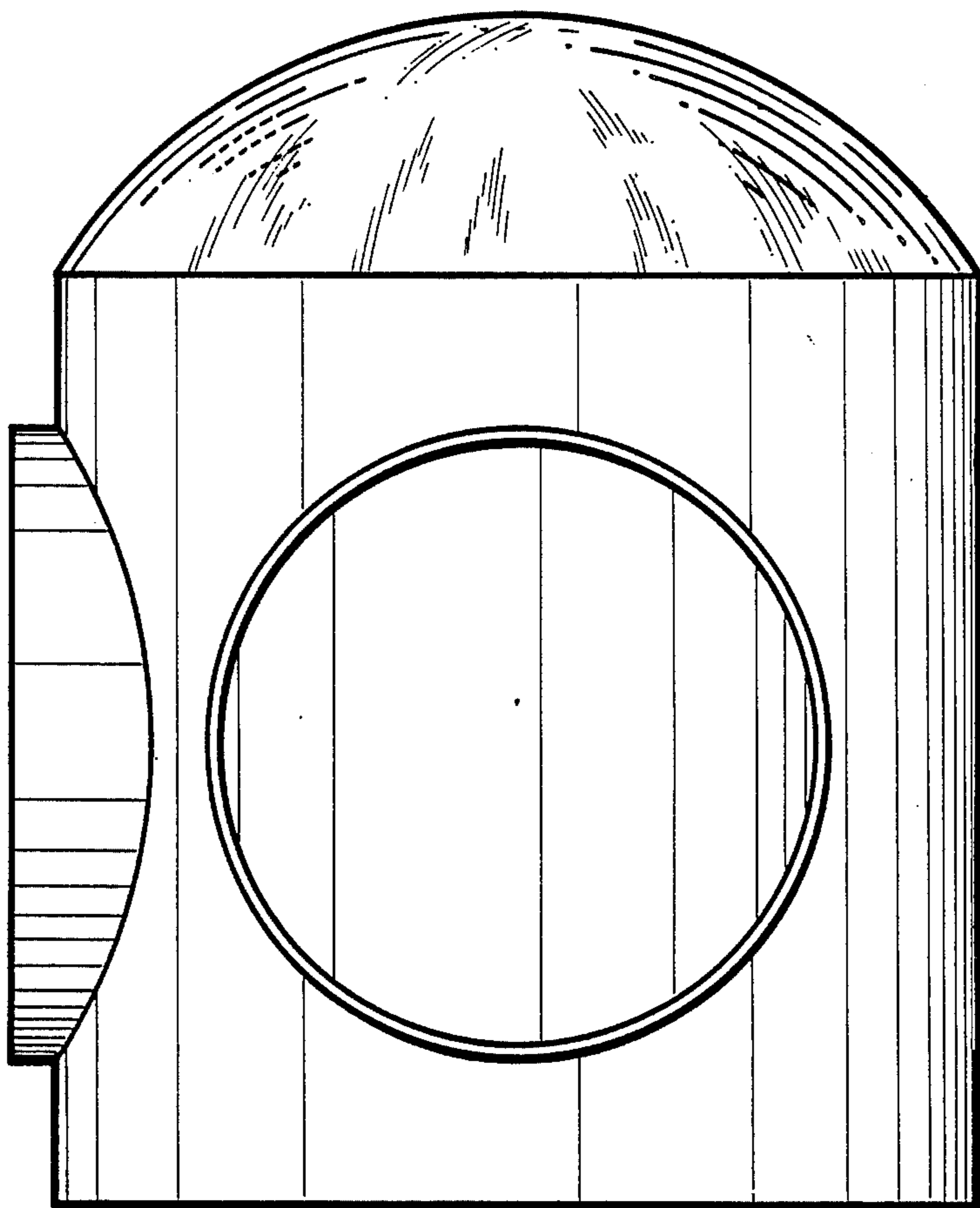


FIG. 8

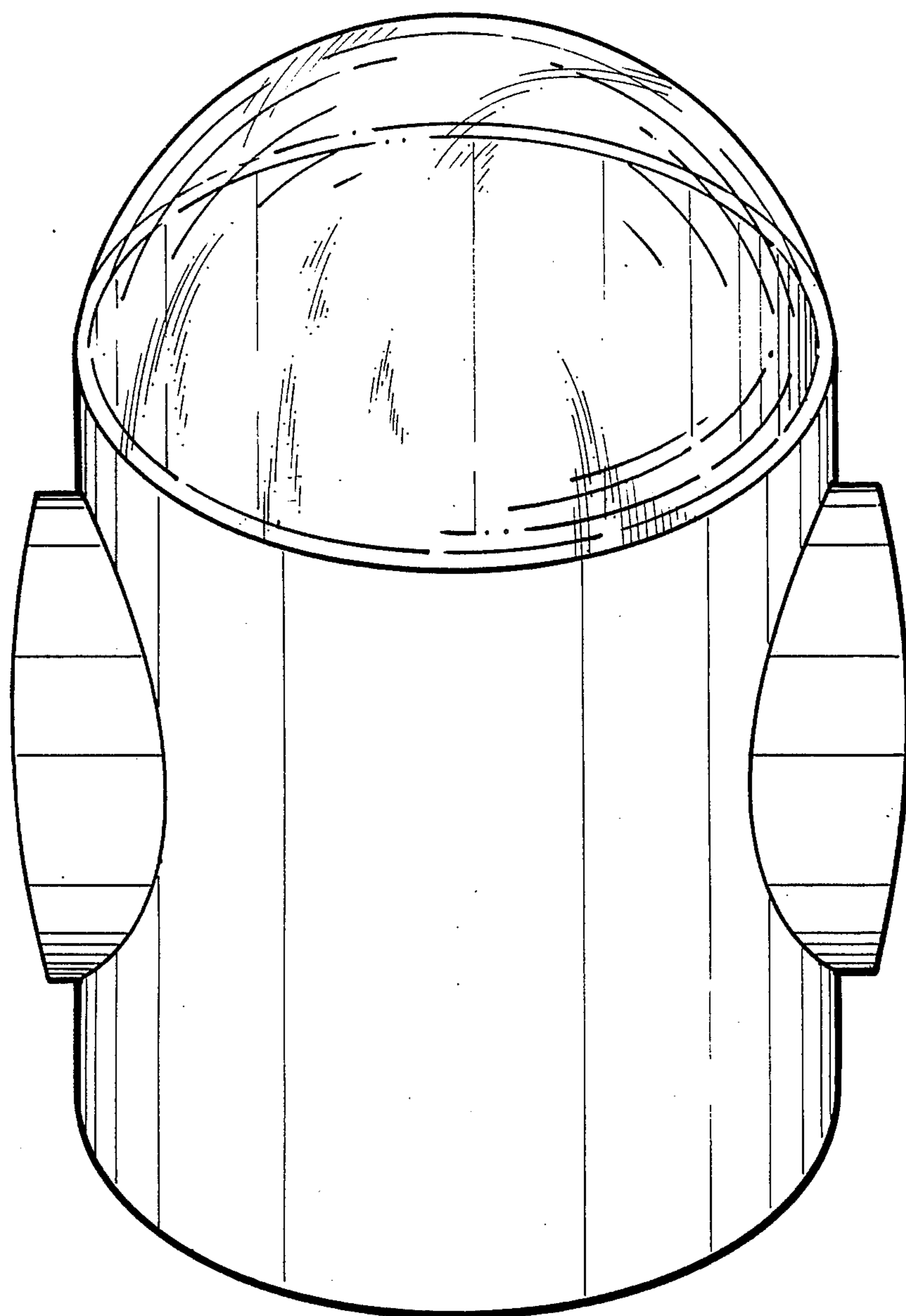


FIG. 10

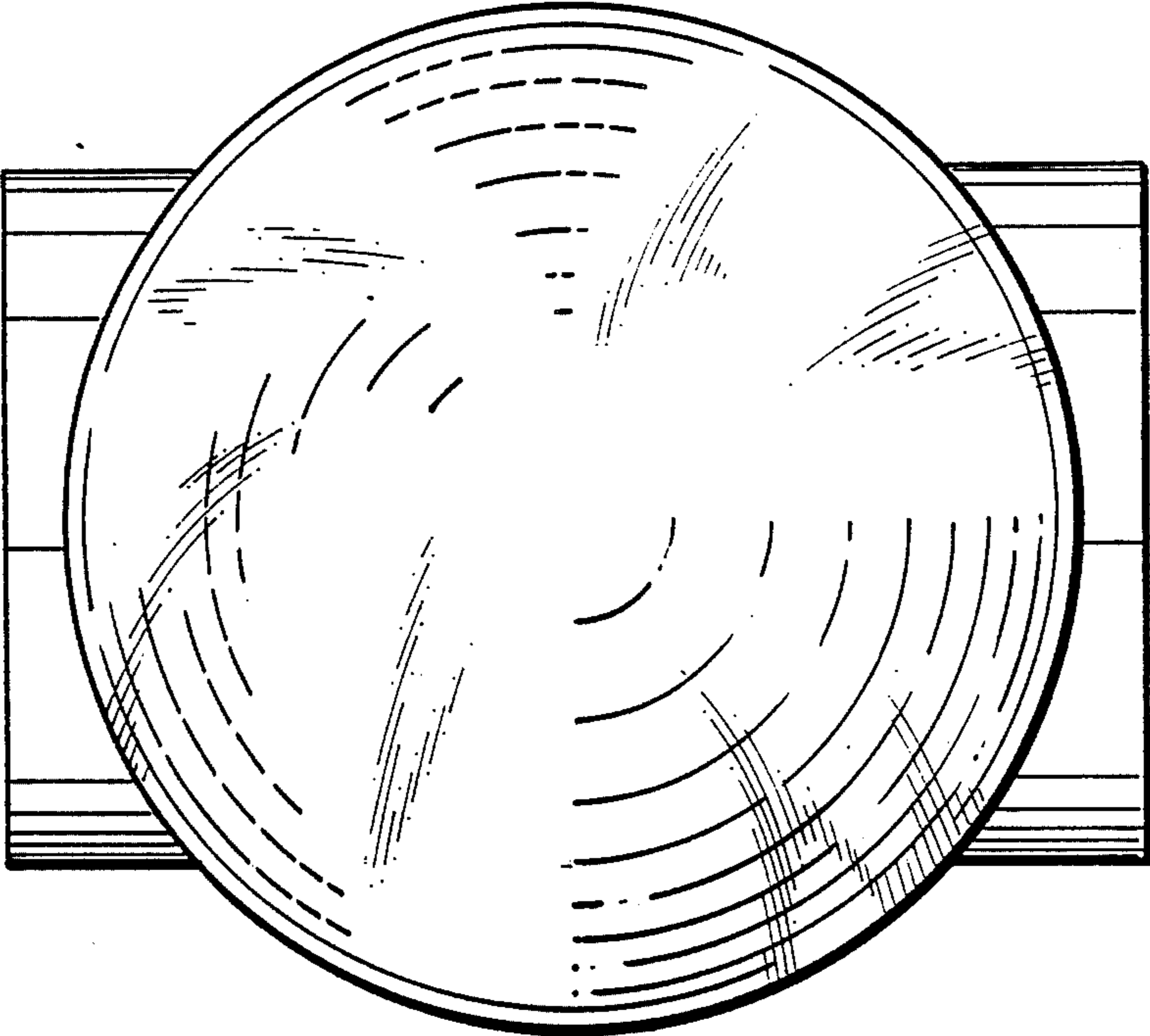


FIG. 12

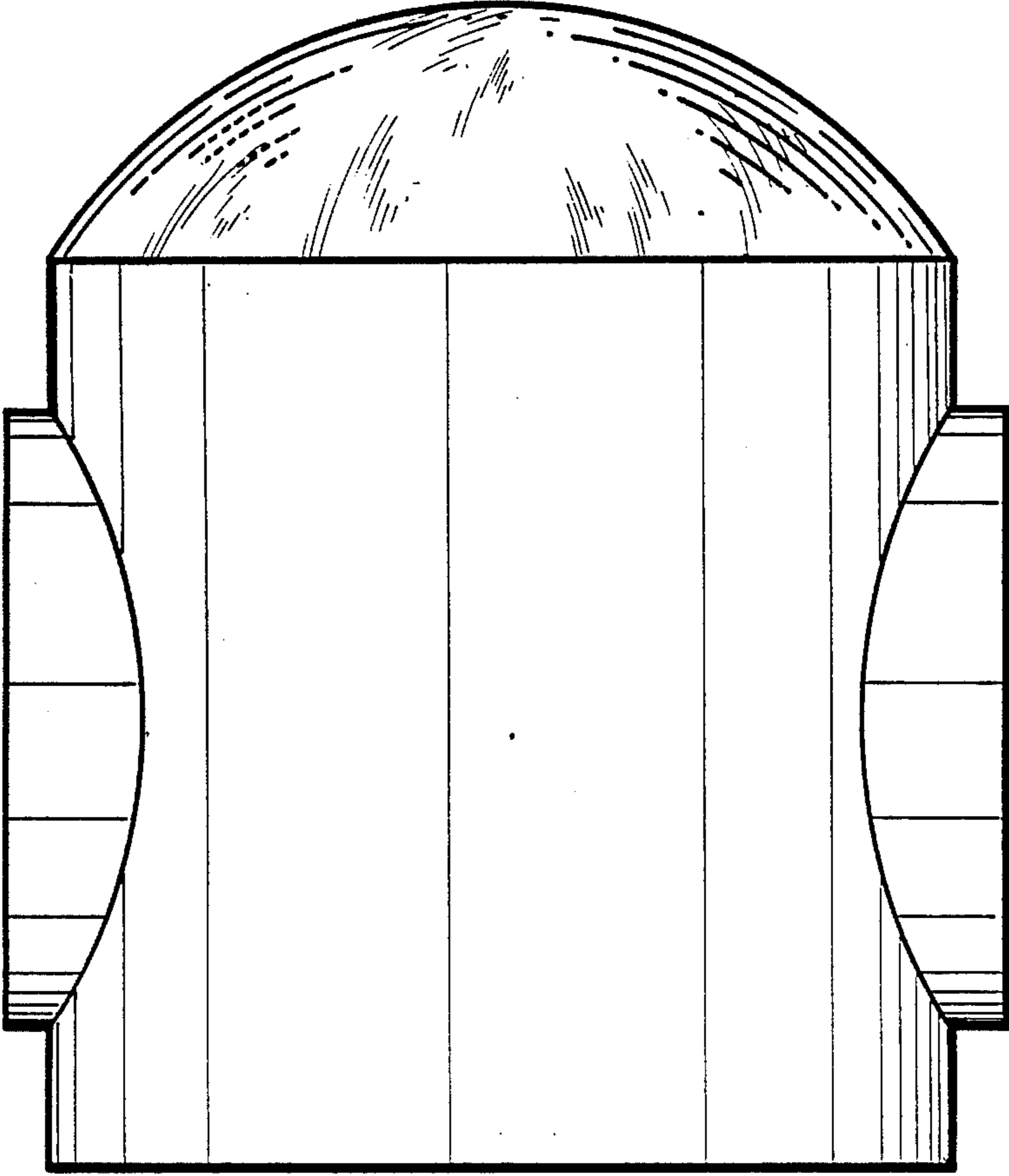


FIG. 11