

[54] HAND AND ARM EXERCISER

[76] Inventor: Gregory J. Beck, 540 Quail Bush Ct., San Jose, Calif. 95117

[**] Term: 14 Years

[21] Appl. No.: 135,615

[22] Filed: Dec. 21, 1987

[52] U.S. Cl. D21/198

[58] Field of Search D21/191, 196, 197, 198; 272/122, 123, 119, 118, 67, 143, 68; D22/137; D8/303, 316

[56] References Cited

U.S. PATENT DOCUMENTS

- D. 66,318 12/1924 Baker D8/316
- D. 203,279 12/1965 Spackman et al. D21/198
- D. 217,568 5/1970 Sun D21/197
- D. 223,843 6/1972 Li D21/197

- D. 235,730 7/1975 Bush D8/316
- 1,749,632 3/1930 Ferris D21/197
- 4,039,185 8/1977 Rhodes 272/68
- 4,438,920 3/1984 Veillette 272/67

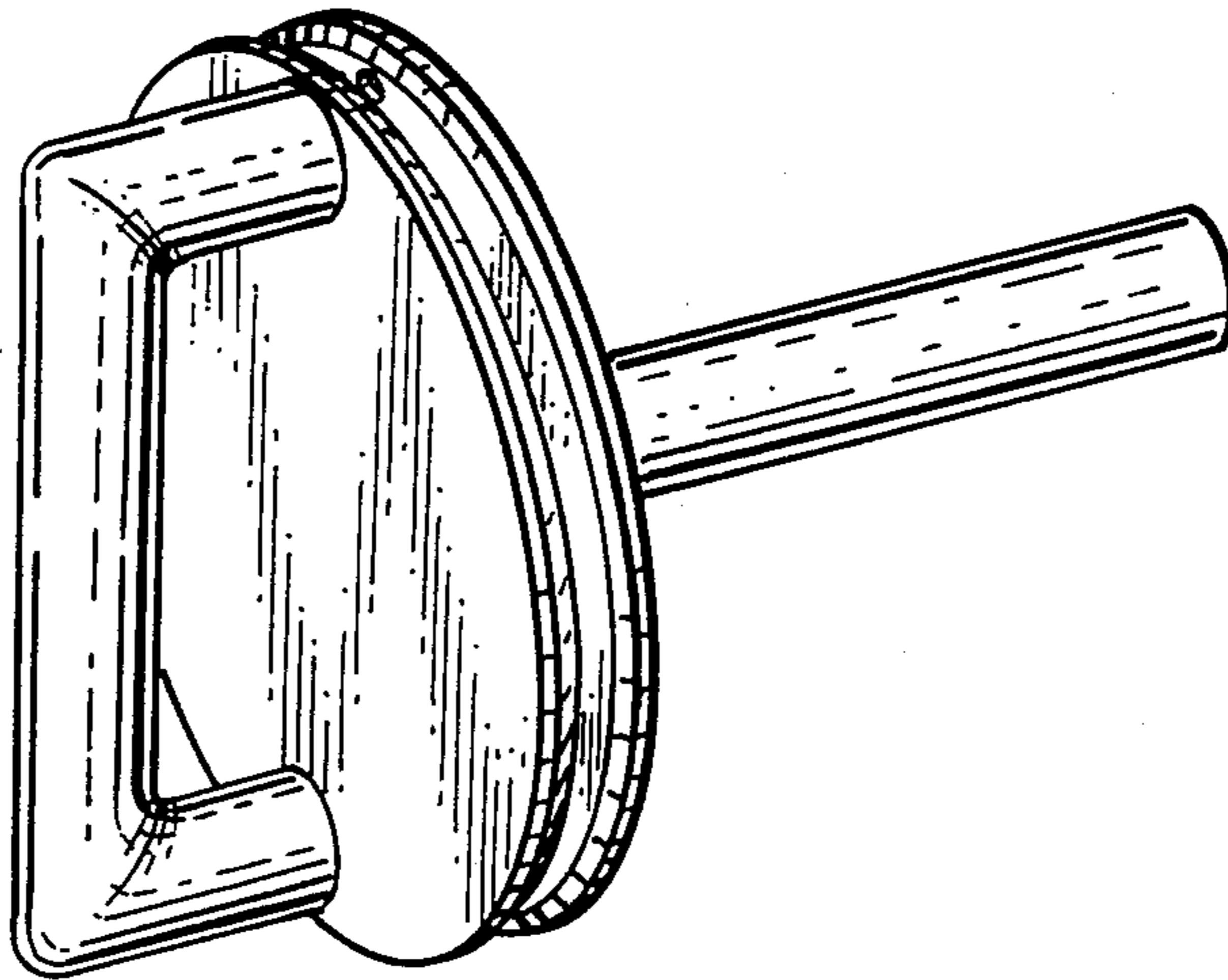
Primary Examiner—Charles A. Rademaker
Attorney, Agent, or Firm—Thomas E. Schatzel

[57] CLAIM

The ornamental design for hand and arm exerciser, as shown and described.

DESCRIPTION

FIG. 1 is a perspective view of a hand and arm exerciser showing my new design;
 FIG. 2 is a front elevational view thereof; the side opposite being a mirror image;
 FIG. 3 is a left side elevational view thereof;
 FIG. 4 is a right side elevational view thereof; and,
 FIG. 5 is a top plan view thereof, the bottom plan view being a mirror image.



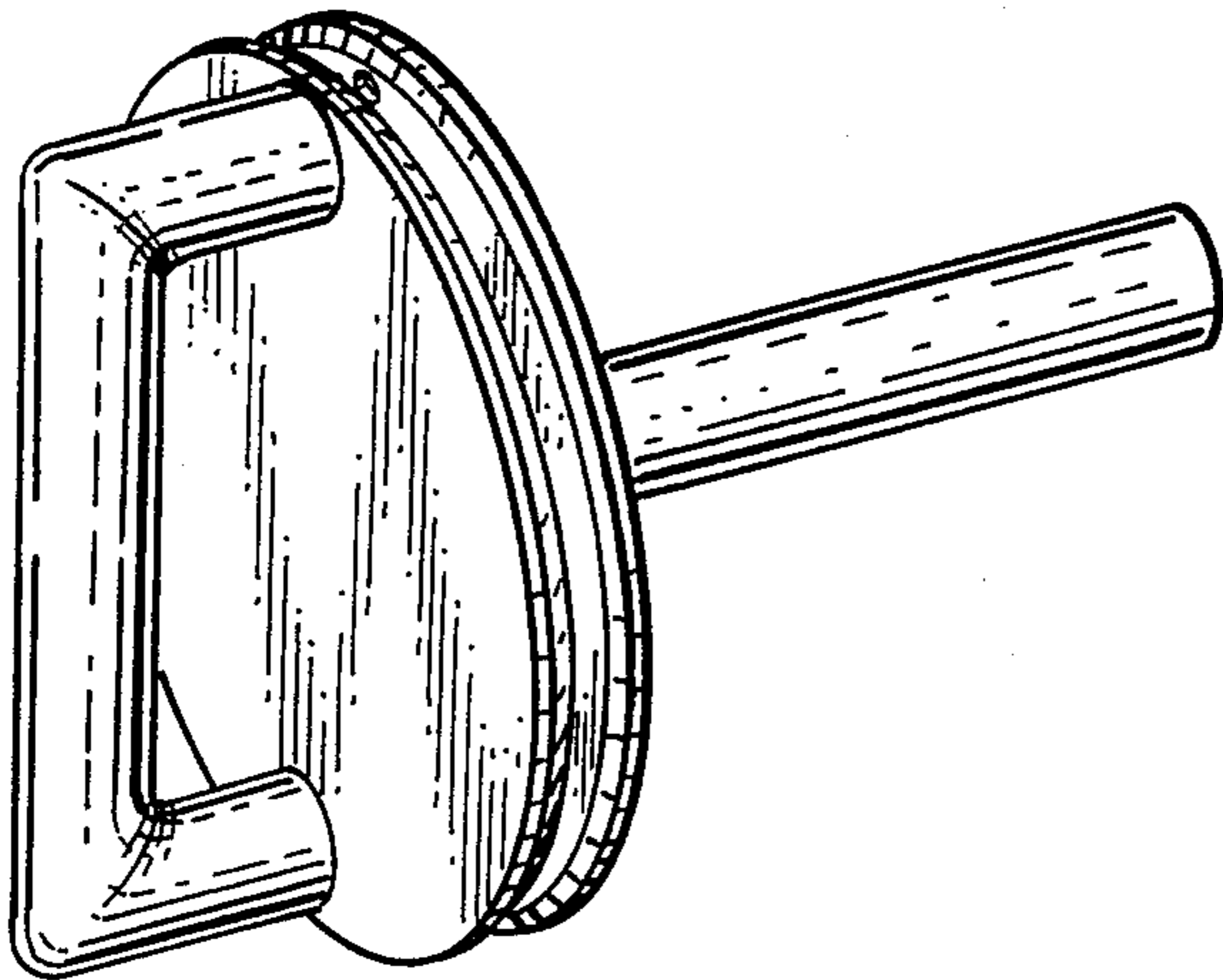


Fig. 1

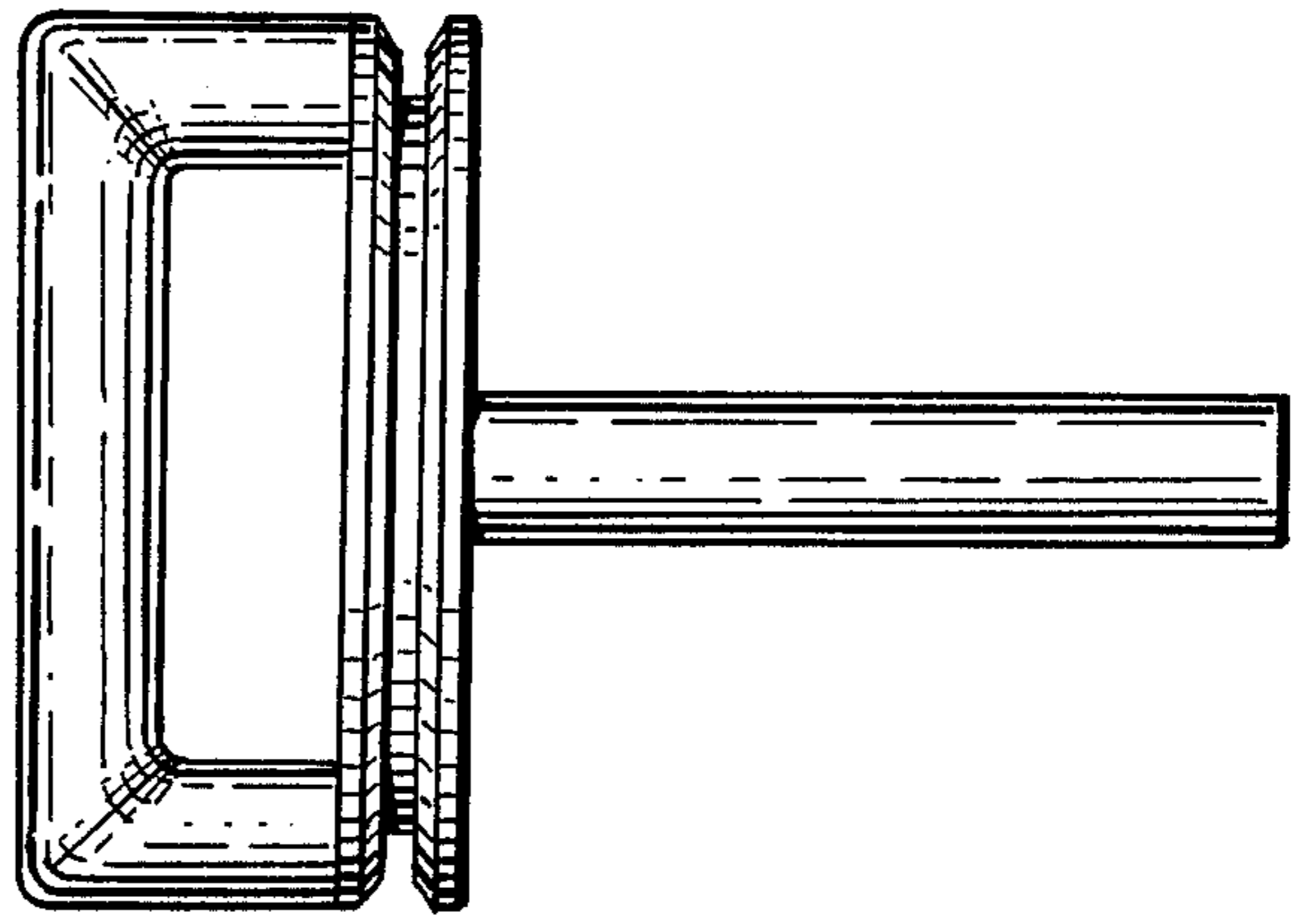


Fig. 2

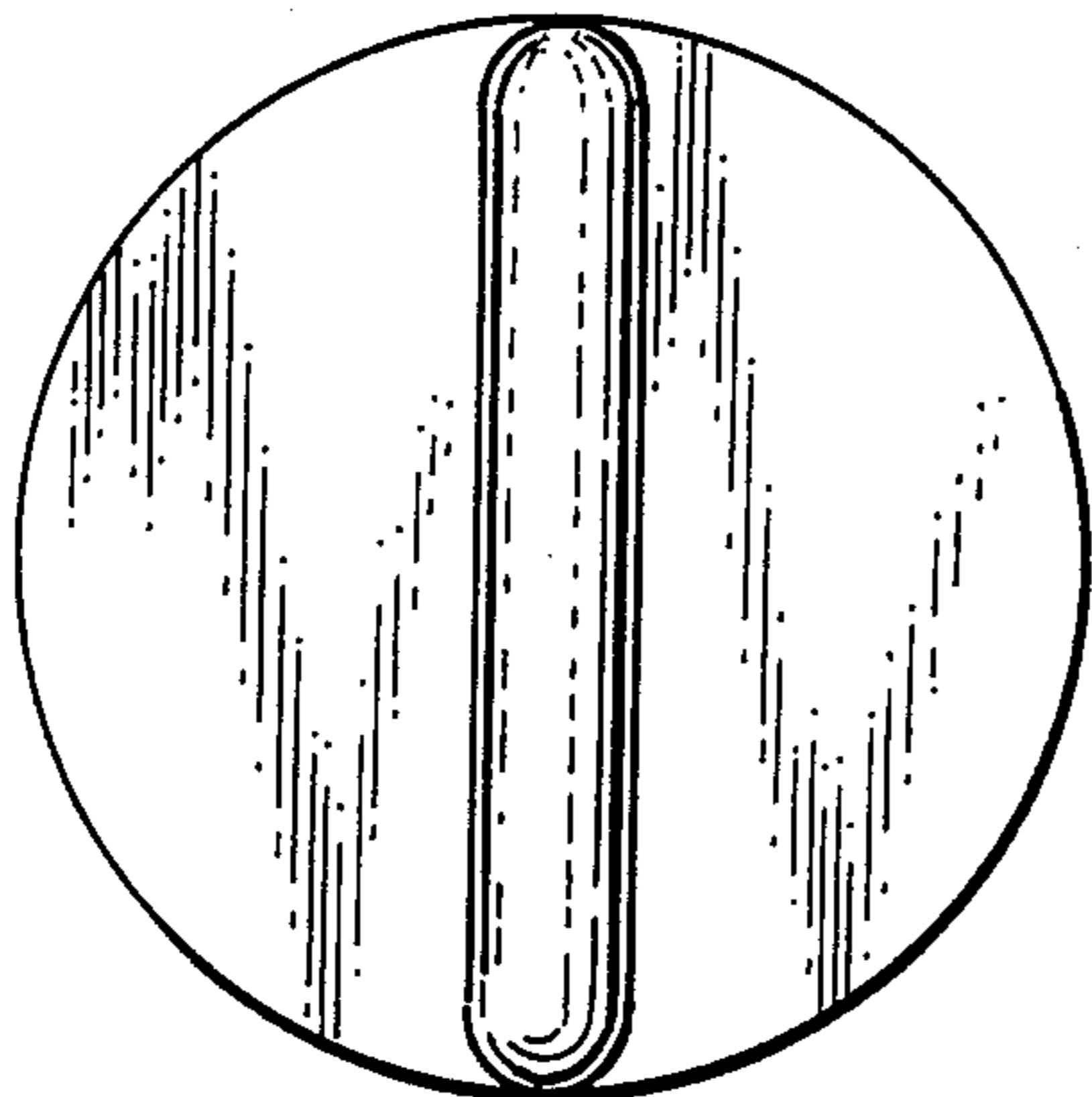


Fig. 3

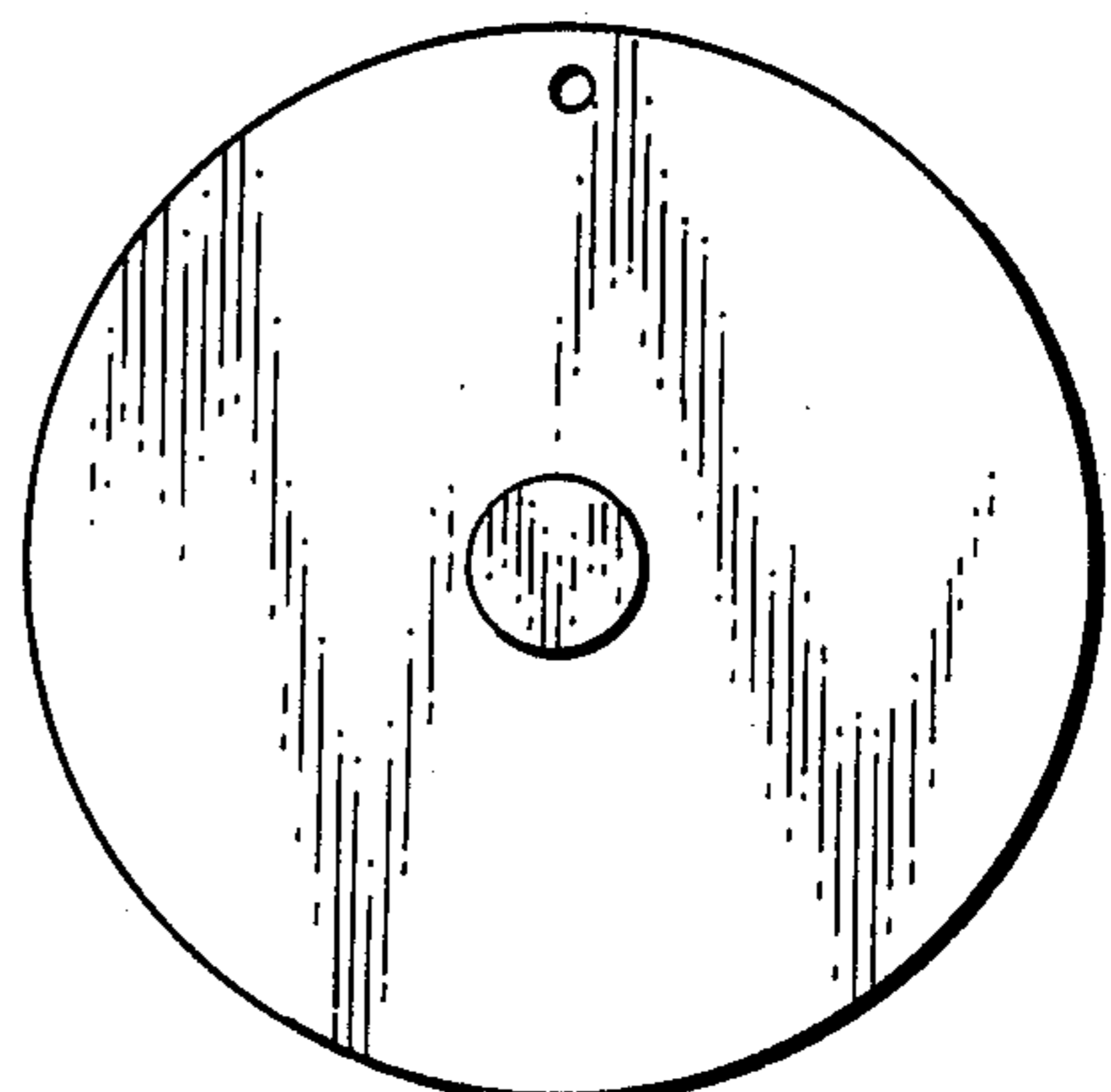


Fig. 4

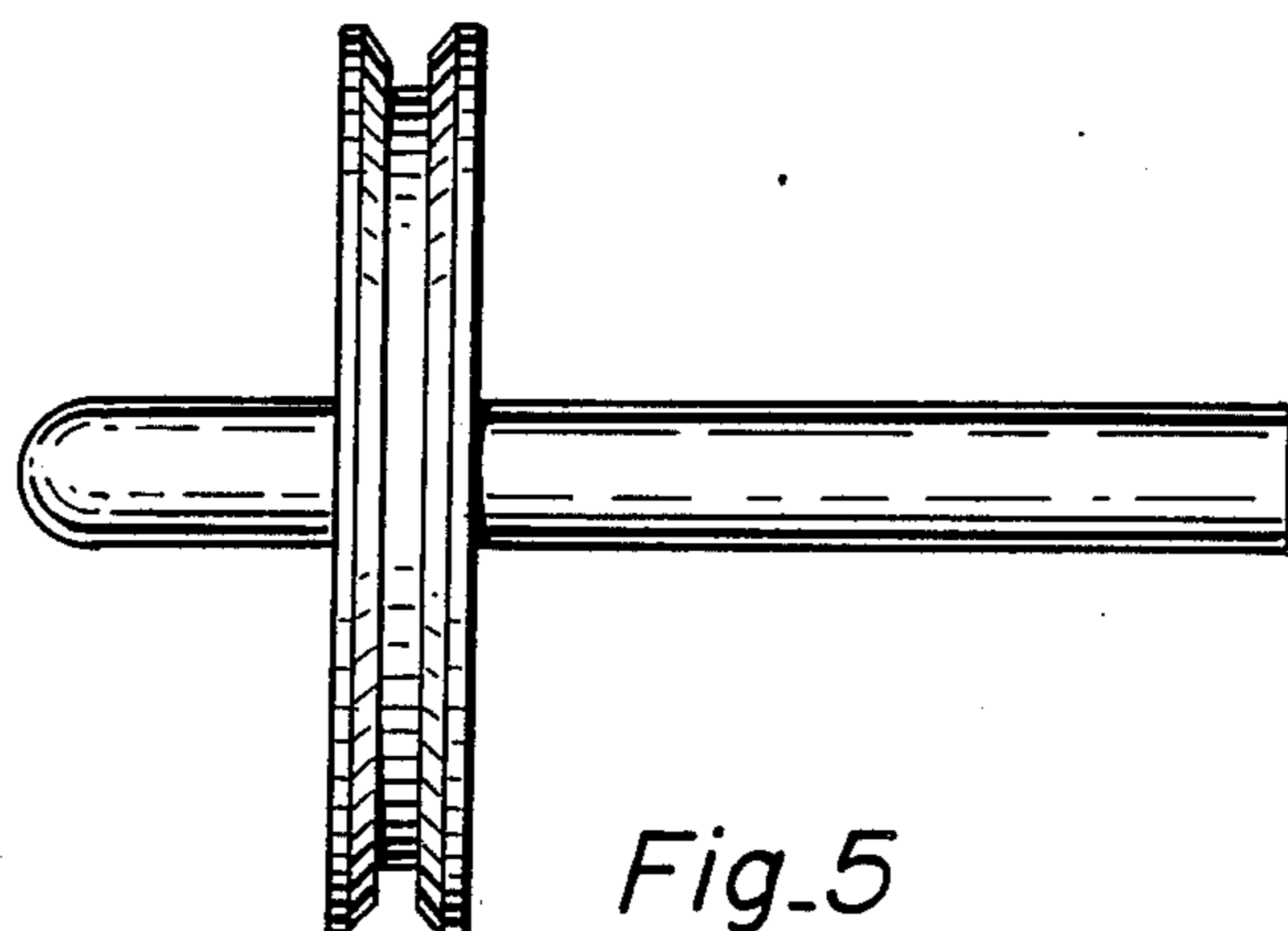


Fig. 5