

[54] **TOY TRUCK-WAGON**

D. 268,405 3/1983 Hanses et al. .... D21/71  
D. 285,949 9/1986 Thomson et al. .... D21/134

[75] **Inventor: Ronald R. Klawitter, Berger, Mo.**

*Primary Examiner*—Charles A. Rademaker

[73] **Assignee: Handi-Pac, Inc., Hermann, Mo.**

*Assistant Examiner*—Alicia A. Farrell

[\*\*] **Term: 14 Years**

*Attorney, Agent, or Firm*—Polster, Polster and Lucchesi

[21] **Appl. No.: 210,284**

[57] **CLAIM**

The ornamental design for toy truck-wagon, as shown and described.

[22] **Filed: Jun. 22, 1988**

[52] **U.S. Cl. .... D21/78**

**DESCRIPTION**

[58] **Field of Search .... D21/71, 73, 74, 76, D21/77, 78, 80, 124, 128, 132, 133, 134, 135, 136, 137, 140; 280/1.12, 1.5, 1.13, 3, 4, 1.21, 7.15, 1.22, 200, 87.01, 655.1, 87.05, 87.051, 87.021, 47.371; D34/13**

FIG. 1 is a perspective view of a toy truck-wagon showing my new design;

FIG. 2 is a perspective view thereof with the handle in an unfolded position;

FIG. 3 is a left side elevational view thereof;

FIG. 4 is a front elevational view thereof;

FIG. 5 is a rear elevational view thereof;

FIG. 6 is a top plan view thereof; and

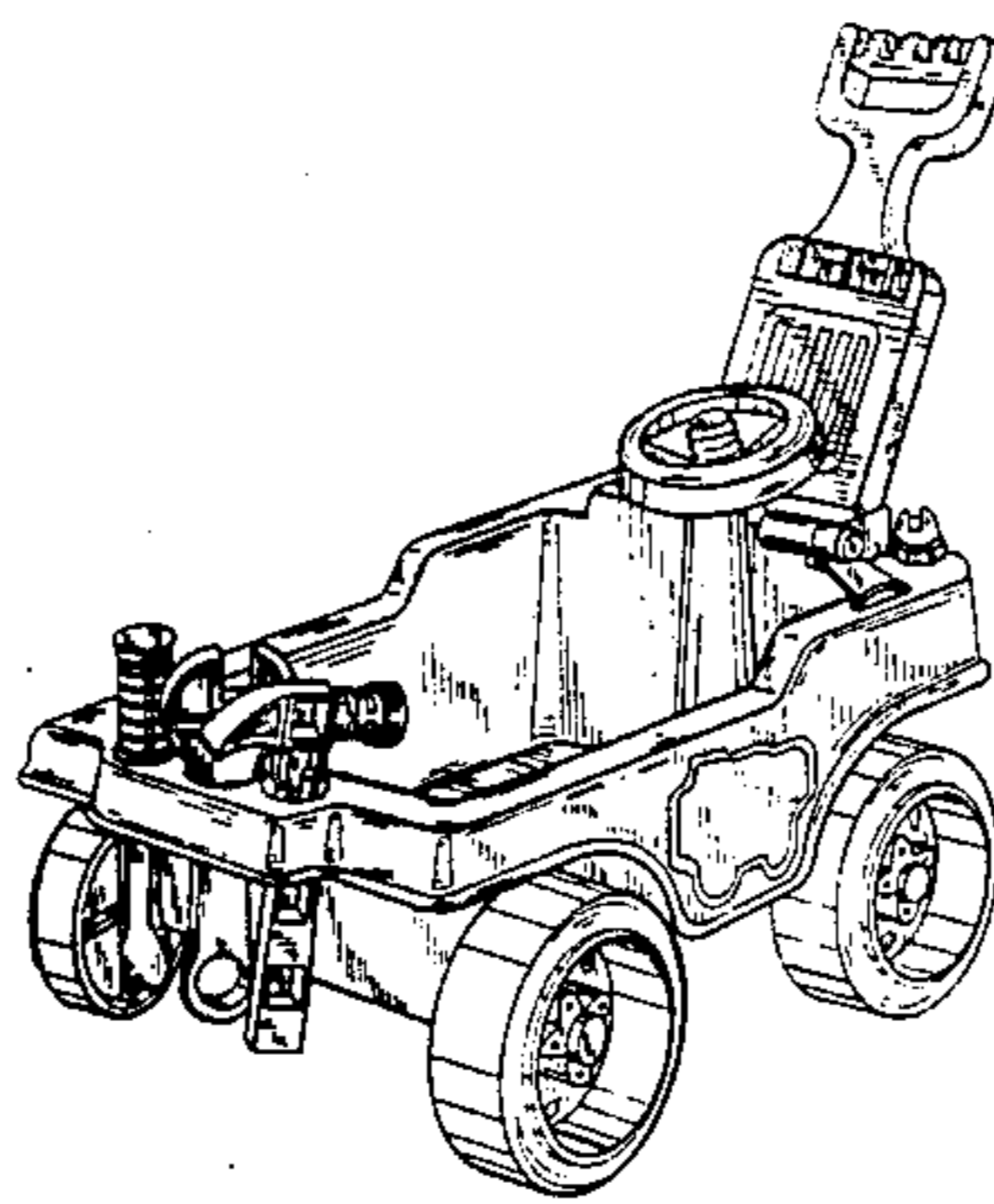
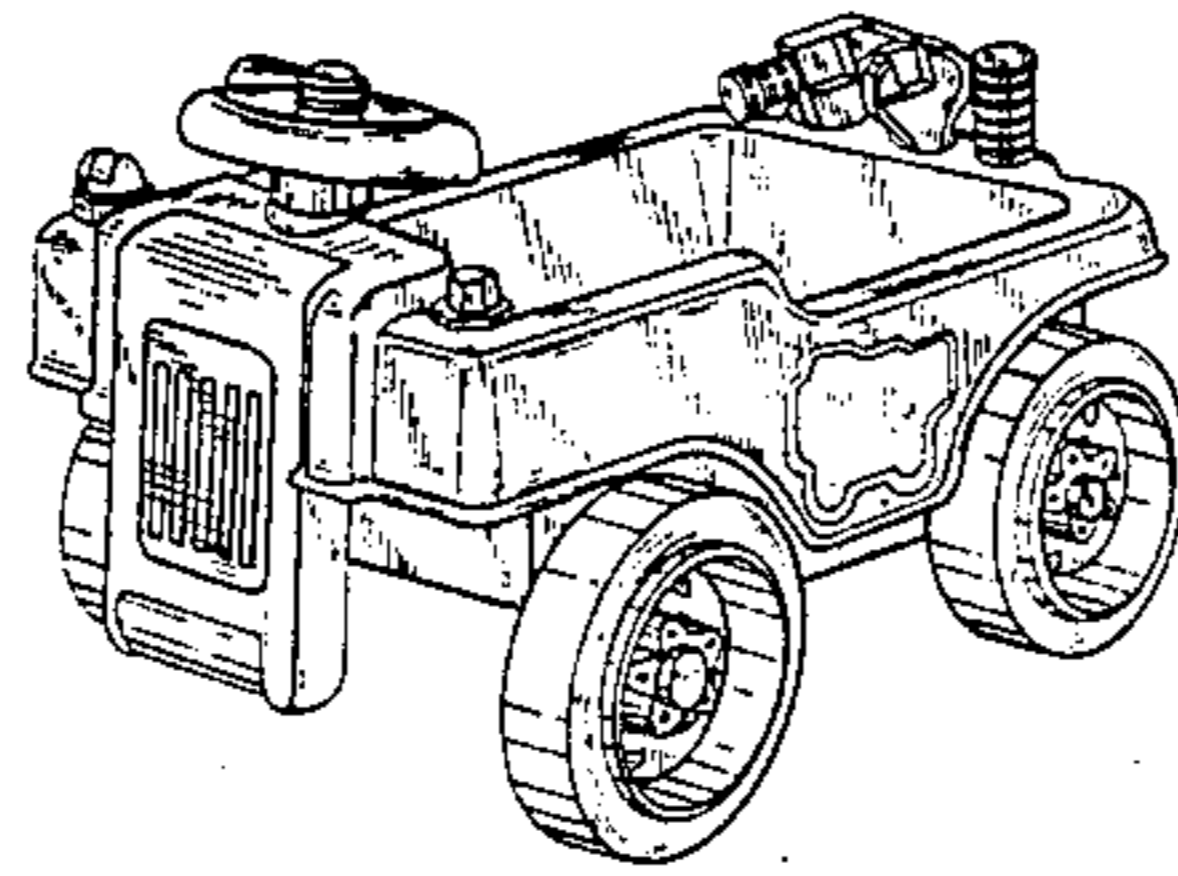
FIG. 7 is a right side elevational view thereof; and

FIG. 8 is a bottom plan view thereof.

[56] **References Cited**

**U.S. PATENT DOCUMENTS**

D. 258,973 4/1981 Samuels ..... D21/133  
D. 264,106 4/1982 Orenstein ..... D21/132



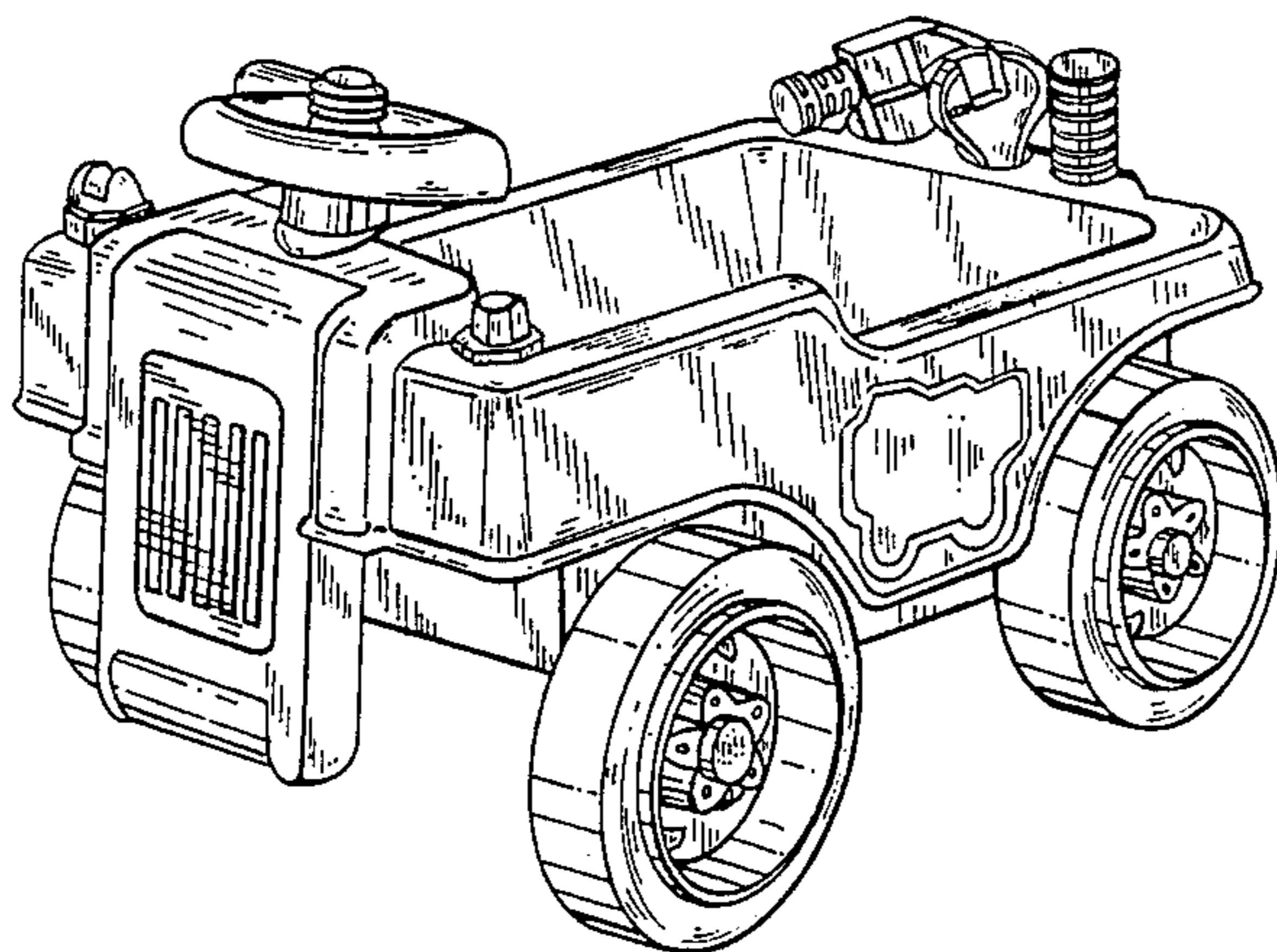


FIG. 1

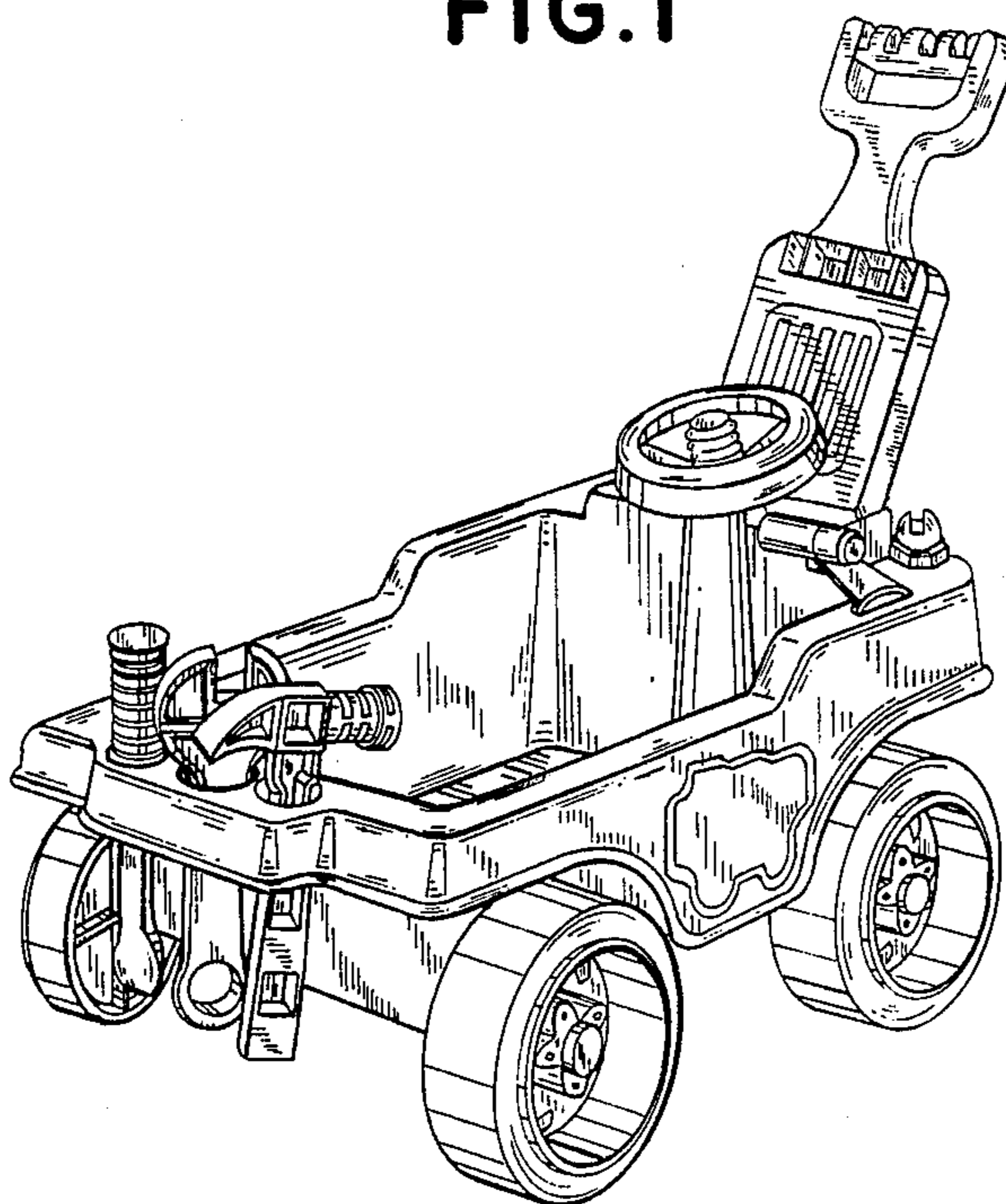


FIG. 2

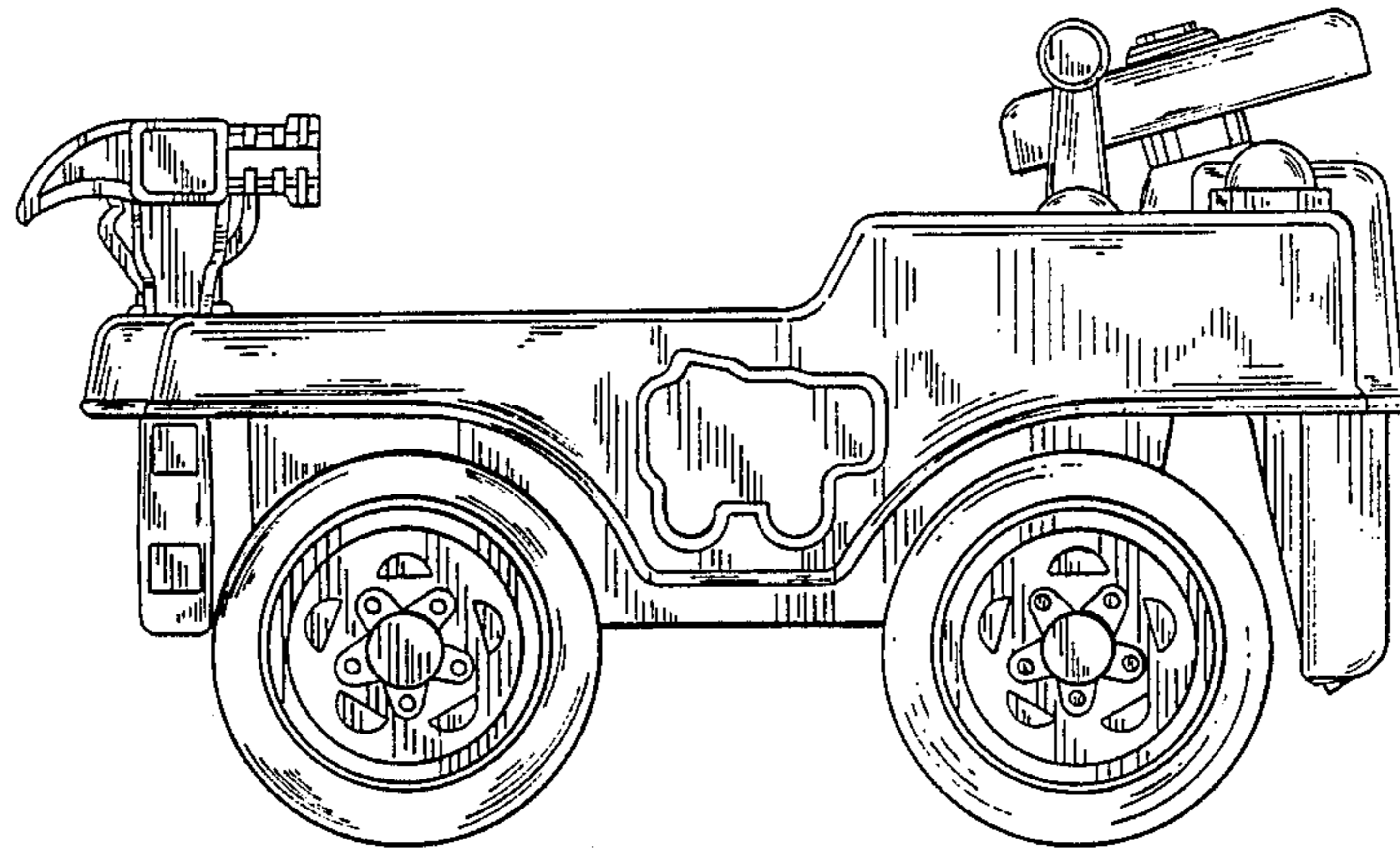


FIG. 3

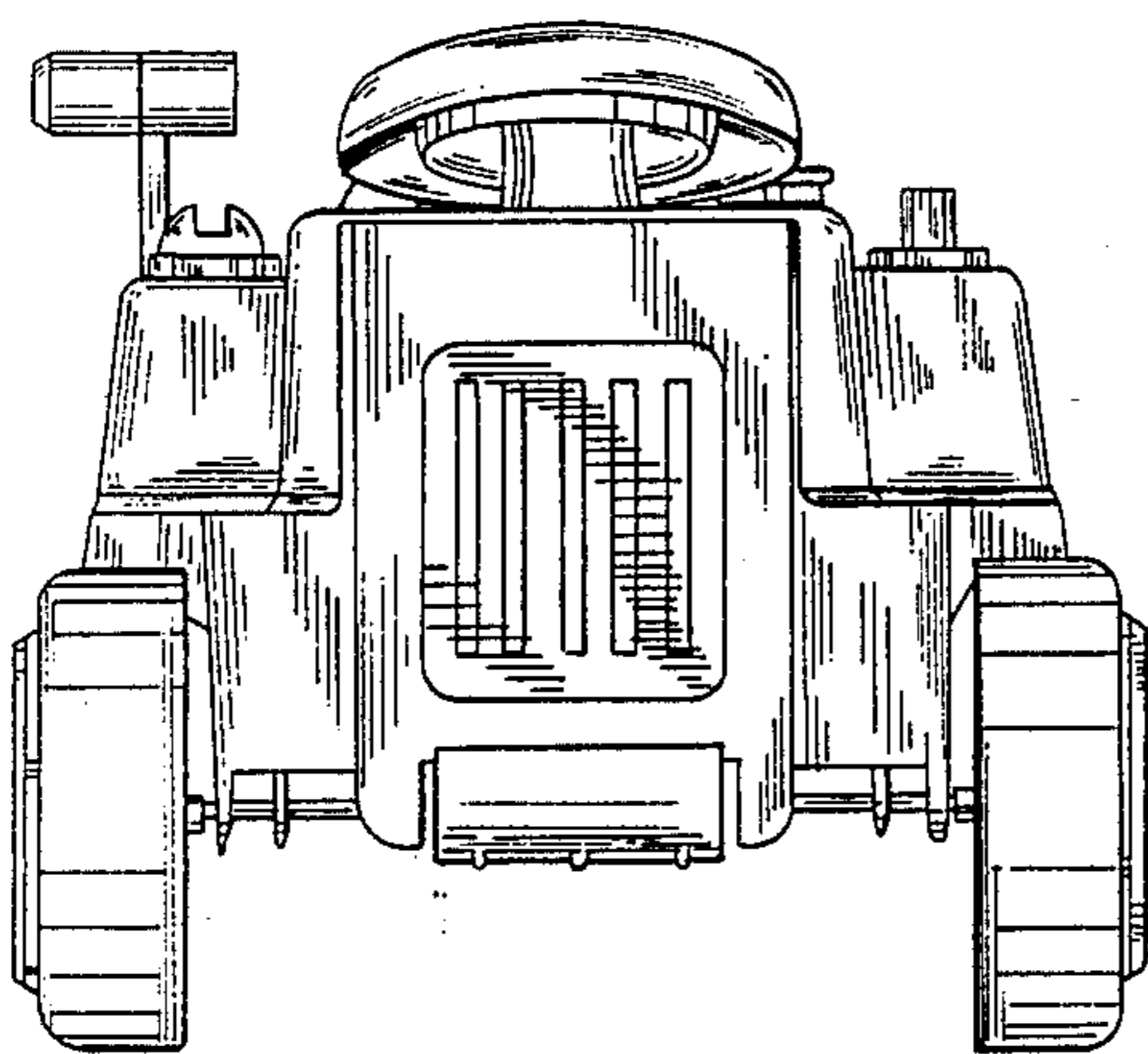


FIG. 4

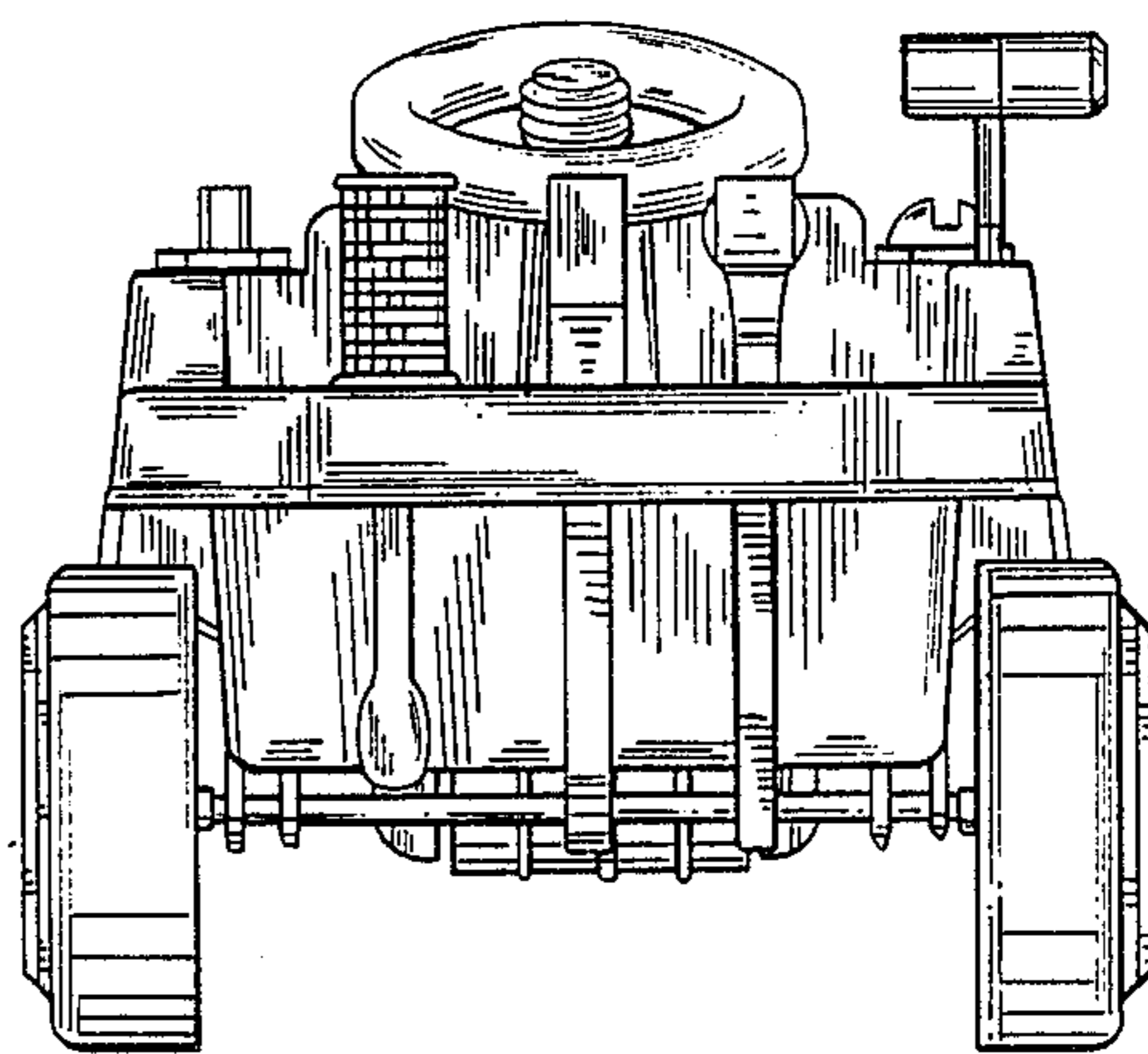


FIG. 5

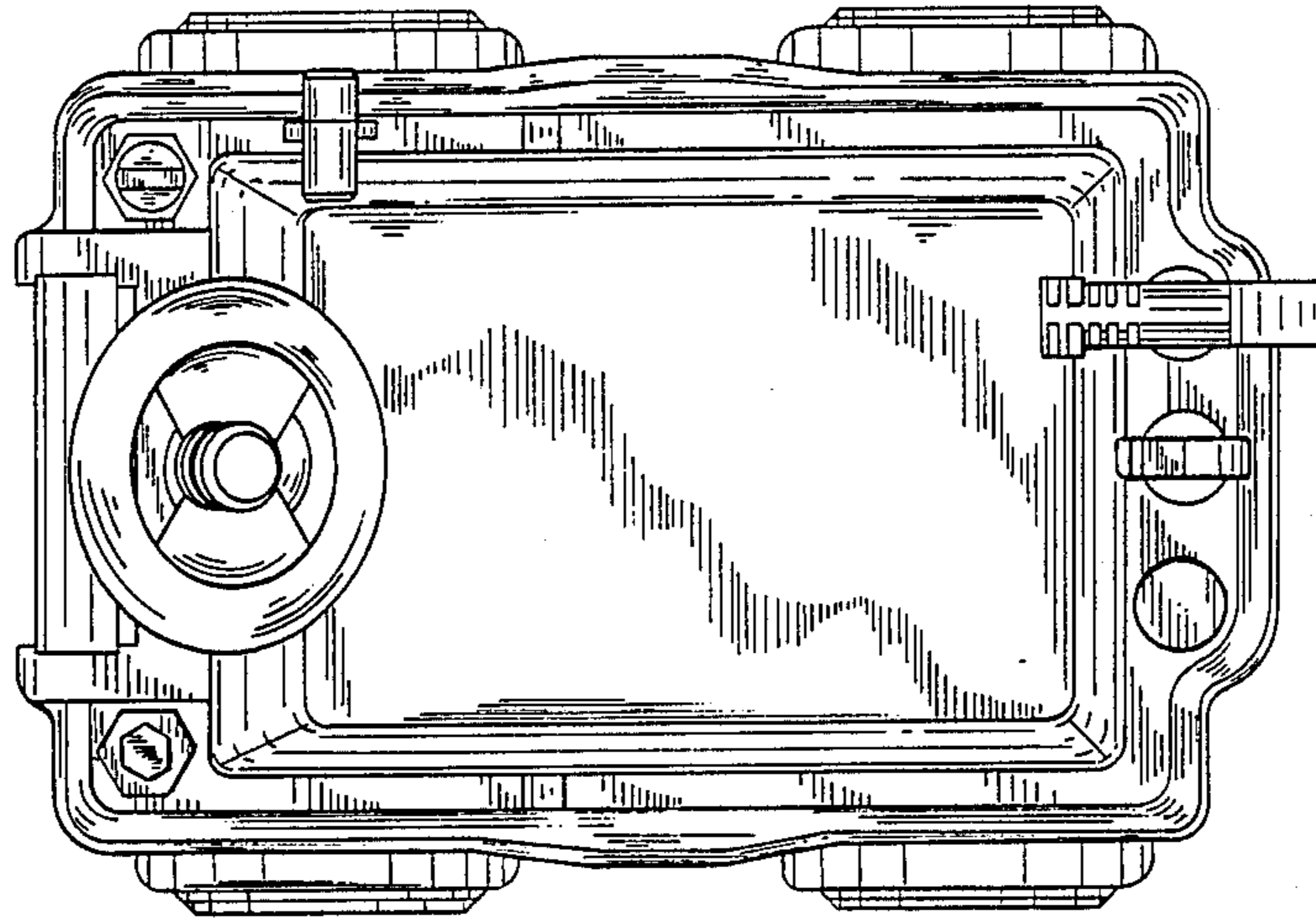


FIG. 6

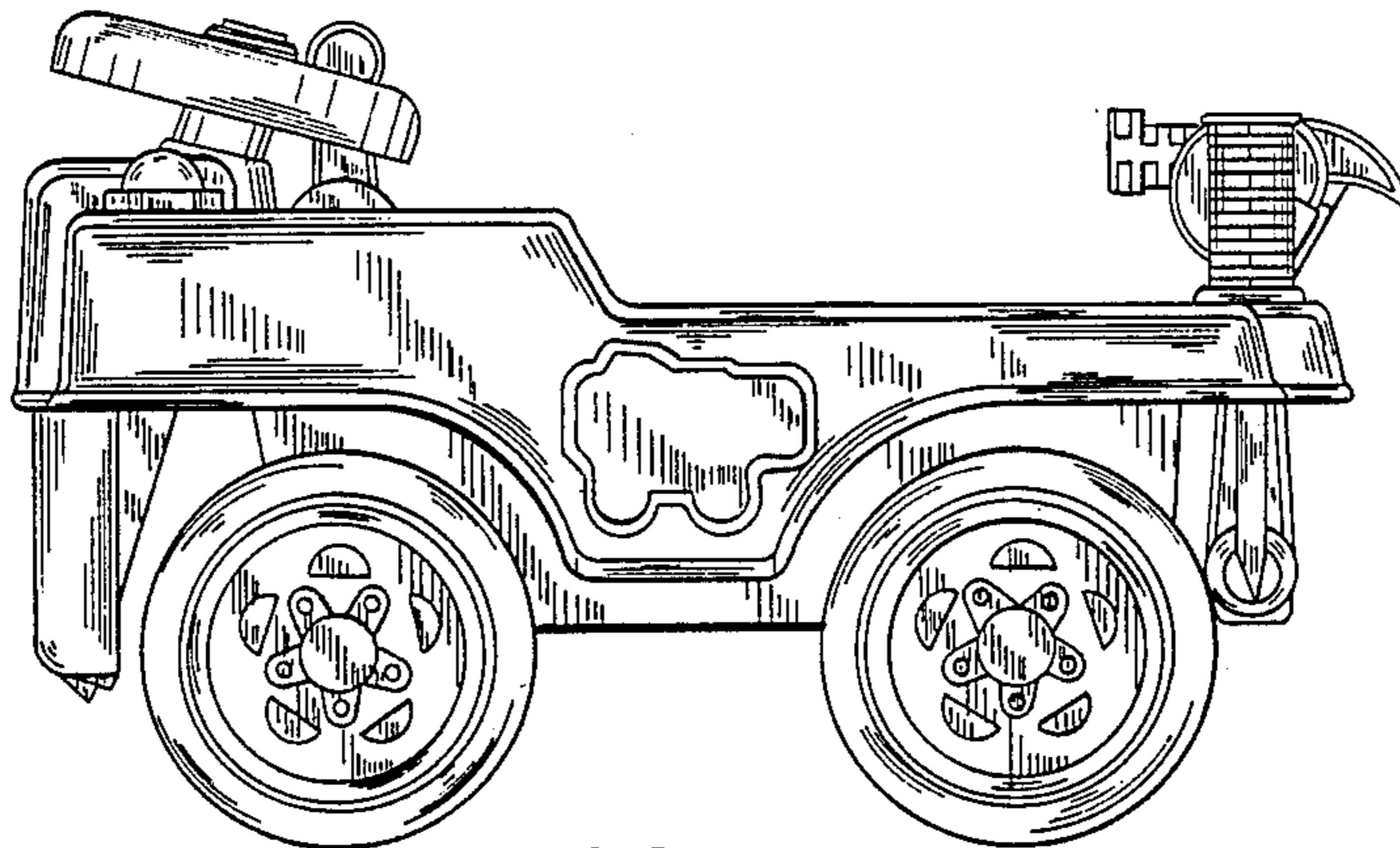


FIG. 7

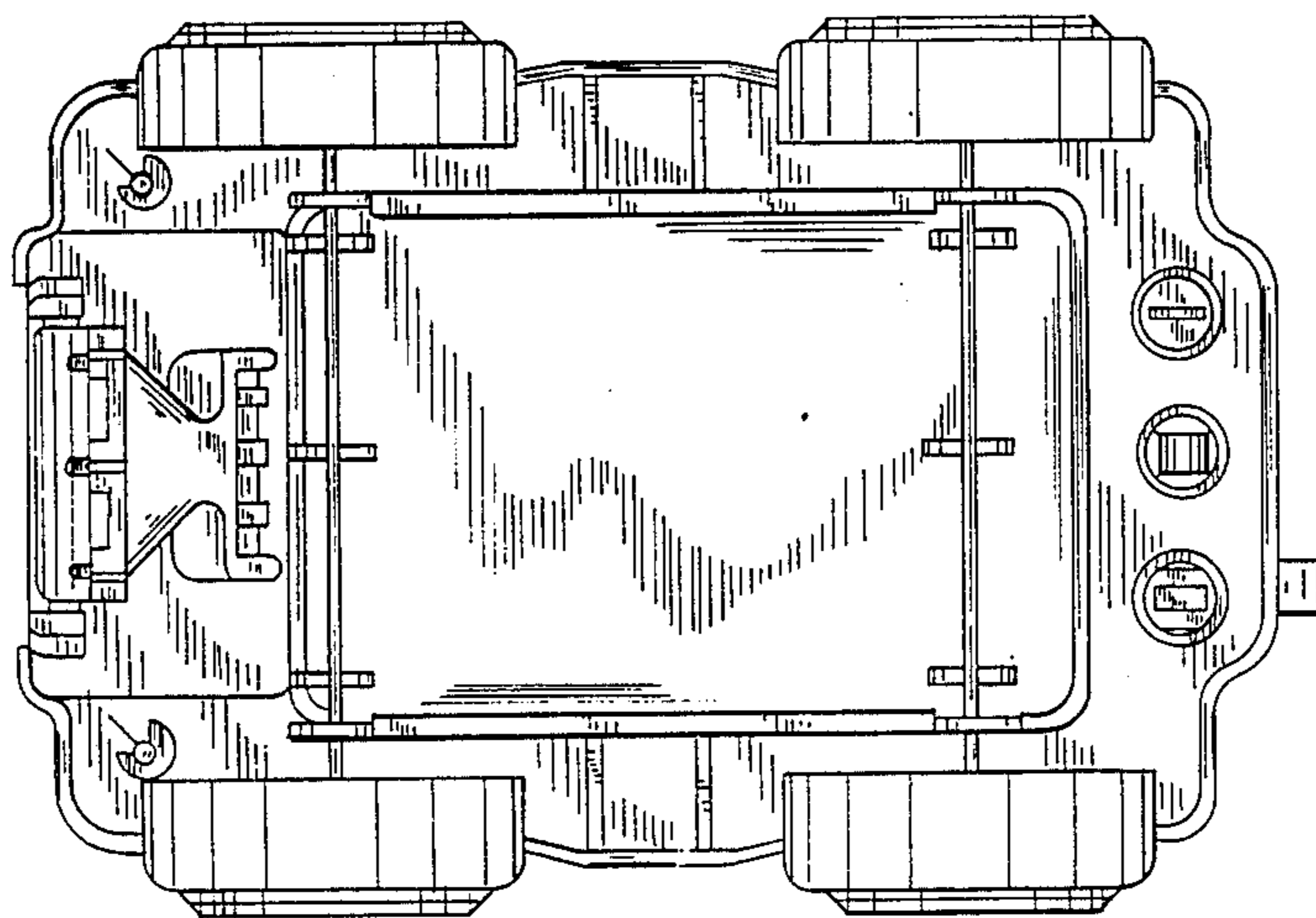


FIG. 8